

# PRODUCT DATA DRAWING

| REVISION HISTORY |             |       |          |
|------------------|-------------|-------|----------|
| REV              | DESCRIPTION | DATE  | APPROVED |
| -                | NRN 44886   | 06/20 | BNK      |
|                  |             |       |          |

**MATERIALS:**

- BODIES, CONTACTS & EMI / ANTI-ROCK RING: BERYLLIUM COPPER PER ASTM B196, ALLOY No. UNS C17300, TD04.
- INSULATORS: PTFE PER ASTM D1710, TYPE I, GRADE 1, CLASS B
- SLEEVE: STAINLESS STEEL PER AMS-5640, ALLOY UNS S30300, TYPE 1; OR ASTM A582 TYPE 303, COND. A
- SPRING: STAINLESS STEEL PER AMS-5678, ALLOY S17700.

**FINISHES:**

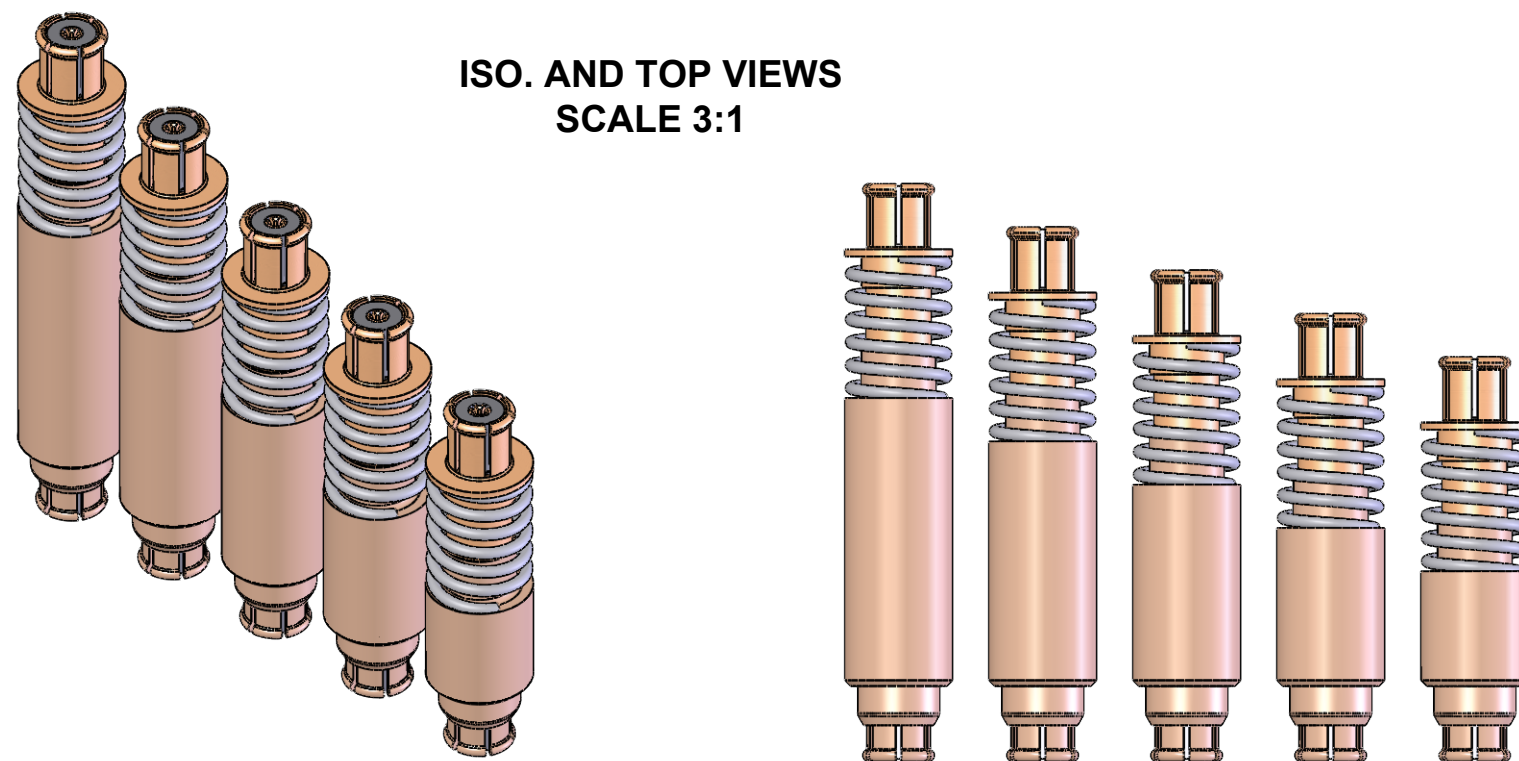
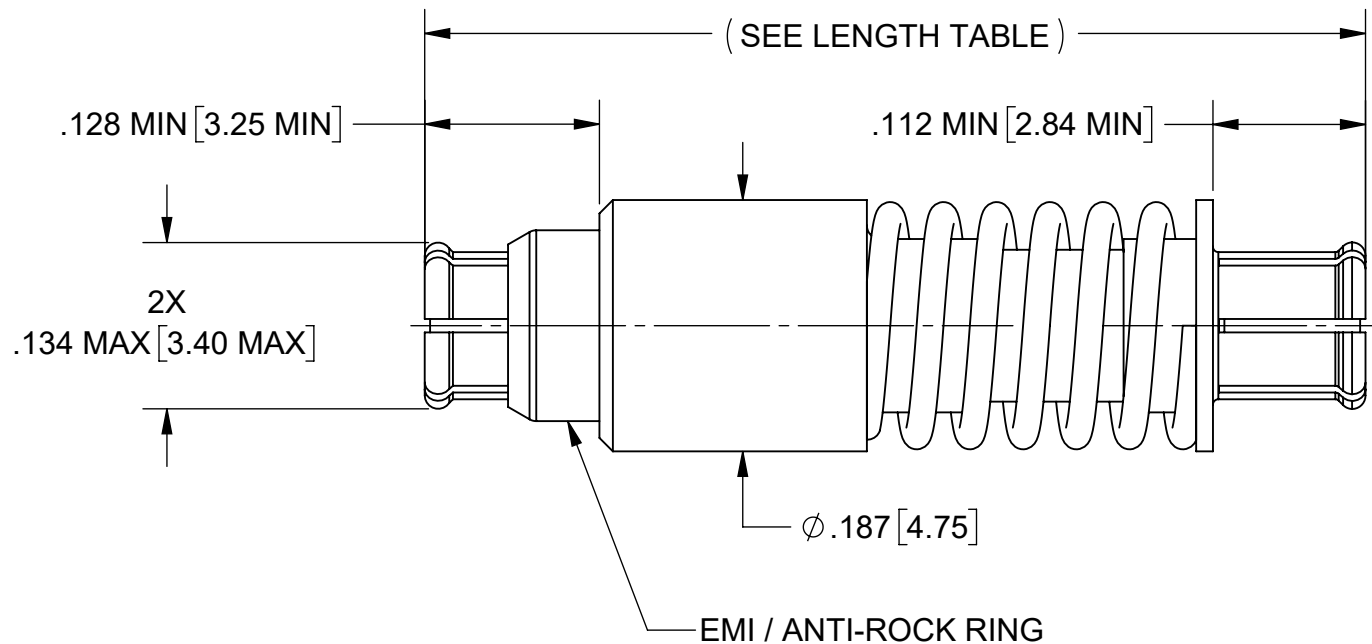
- BODIES, CONTACTS, EMI / ANTI-ROCK RING & SLEEVE: GOLD PER ASTM B488, TYPE II, CODE C, CLASS 1.27, OVER NICKEL PER AMS-QQ-N-290, CLASS 1, .00005" MIN.
- SPRING: PASSIVATED PER AMS 2700.

**ELECTRICAL SPECIFICATIONS:**

- IMPEDANCE: 50 OHMS
- FREQ. RANGE: DC TO 40.0 GHz.

**MECHANICAL SPECIFICATIONS:**

- SPRING FORCE: 4.0 LBS MAXIMUM AT FULL DEFLECTION, 2.0 LBS MINIMUM PRELOAD.
- ENGAGE FORCE:
  - FULL DETENT: 13.5 LBS MAXIMUM (6.0 LBS TYP.)
  - SMOOTH BORE: 2.5 LBS MAXIMUM (1.85 LBS TYP.)
- DISENGAGE FORCE:
  - FULL DETENT: 5.0 LBS MINIMUM (7.5 LBS TYP.)
  - SMOOTH BORE: 7.5 OZ MINIMUM (8.5 OZ TYP.)



| LENGTH TABLE   |            |         |              |
|----------------|------------|---------|--------------|
| SV PART NUMBER | LENGTHS    |         |              |
|                | COMPRESSED | NOMINAL | UNCOMPRESSED |
| 1112-4144      | 0.600      | 0.650   | 0.700        |
| 1112-4145      | 0.675      | 0.725   | 0.775        |
| 1112-4146      | 0.750      | 0.800   | 0.850        |
| 1112-4147      | 0.825      | 0.875   | 0.925        |
| 1112-4148      | 0.900      | 0.950   | 1.000        |

|   |  |   |  |
|---|--|---|--|
| MATERIAL: SEE NOTES   | DIMENSIONS ARE IN INCHES TOLERANCES:<br>FRACTIONAL: ±1/64 ANGULAR: X° ±1'0"<br>X°X' ±15" | UNLESS OTHERWISE SPECIFIED<br>1) ALL DIMENSIONS ARE IN INCHES (MILLIMETERS)<br>2) ALL DIMENSIONS ARE AFTER PLATING.<br>3) BREAK CORNERS & EDGES .005 R. MAX.<br>4) CHAM. 1ST & LAST THREADS.<br>5) SURFACE ROUGHNESS 63-MIL-STD-10.<br>6) DIA.'S ON COMMON CENTERS TO BE CONCENTRIC WITHIN .005 T.I.R.<br>7) REMOVE ALL BURRS | <p>Amphenol<br/>www.svmicrowave.com</p>          |
| FINISH: SEE NOTES   | DECIMAL: .X ±.030<br>.XX ±.010<br>.XXX ±.005   | INTERPRET DIMENSIONS AND TOLERANCES PER ASME Y14.5M - 1994  |  |
| SURFACE AREA: N/A   | THIRD ANGLE PROJECTION   | DRAWN: MKK 06/02/20   | TITLE: SMP FEMALE TO FEMALE COMPRESSIBLE ADAPTER |
| <p><b>PROPRIETARY</b></p> <p>THE INFORMATION CONTAINED IN THIS DRAWING IS THE SOLE PROPERTY OF SV MICROWAVE, INC. ANY REPRODUCTION IN PART OR AS A WHOLE WITHOUT THE WRITTEN PERMISSION OF SV MICROWAVE, INC IS PROHIBITED.</p> |  | CHECKED: BNK 06/02/20   | SIZE DWG. NO. 1112-4144-4148                     |
|   |  | APPROVED: BNK 06/02/20  | SCALE: 7:1 SHEET 1 OF 1                          |