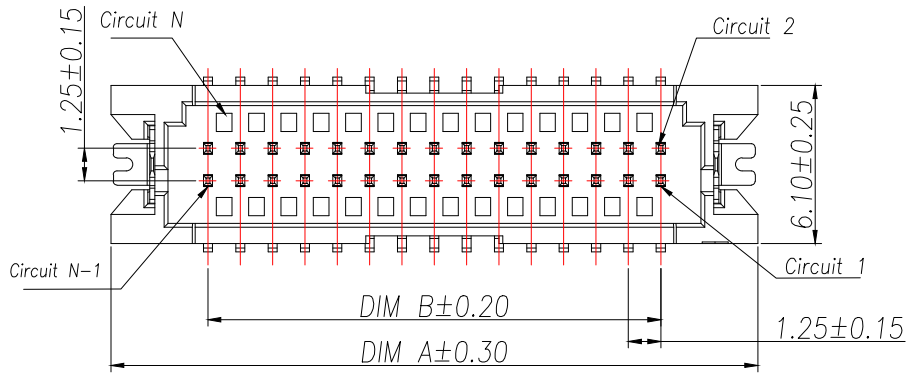
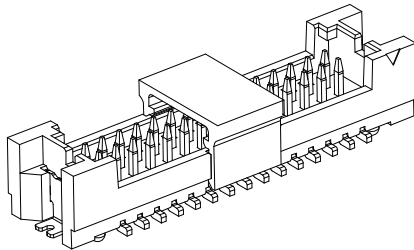
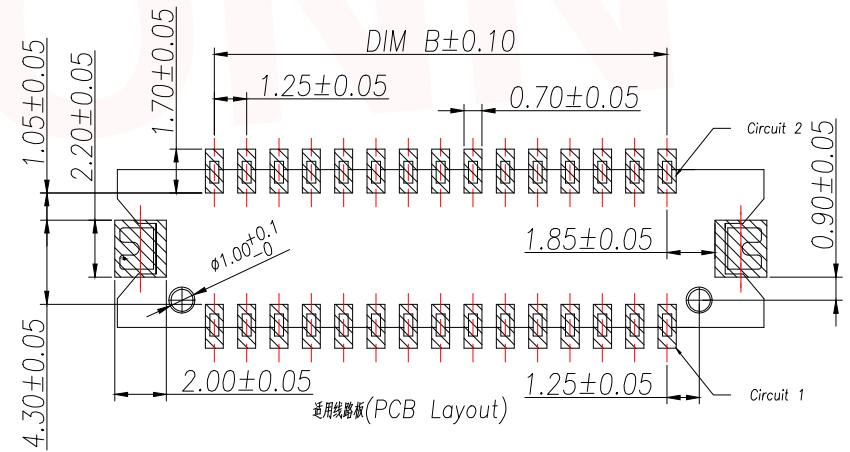
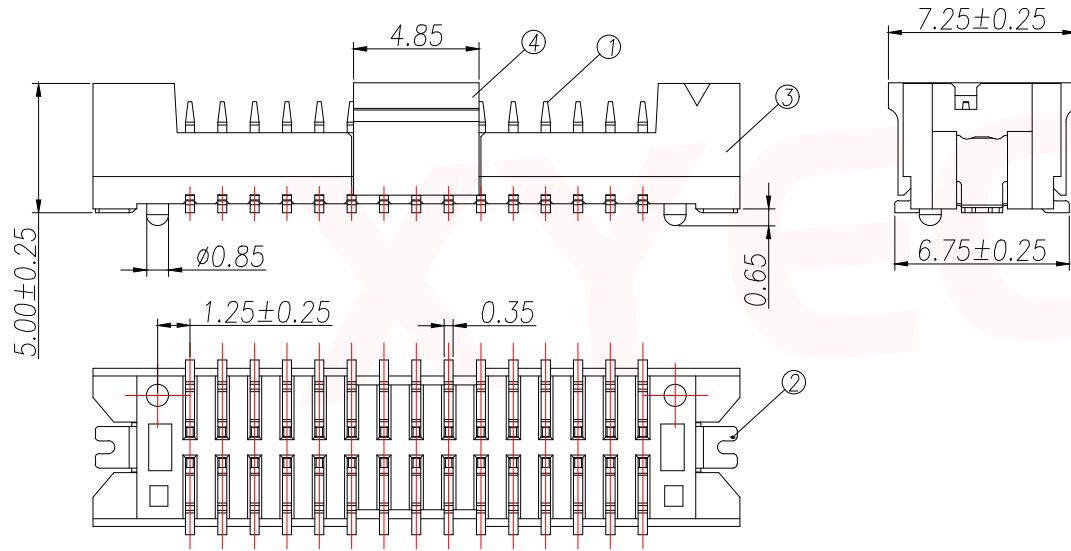


REV.	Q'TY	ECN. NO.	APR.	DATE



Part No	ckt	A	B
XY-DF1.25-10A51-TD	2*5	12.50	5.00
XY-DF1.25-12A51-TD	2*6	13.75	6.25
XY-DF1.25-14A51-TD	2*7	15.00	7.50
XY-DF1.25-16A51-TD	2*8	16.25	8.75
XY-DF1.25-18A51-TD	2*9	17.50	10.00
XY-DF1.25-20A51-TD	2*10	18.75	11.25
XY-DF1.25-22A51-TD	2*11	20.00	12.50
...
XY-DF1.25-50A51-TD	2*25	(25*1.25)+4.25	(25-1)*1.25



技术指标:

1. 零件表面应光洁, 无毛边, 无明显收缩, 缺陷, 裂纹等现象.
2. 温度范围: $-25^{\circ}\text{C} \sim +85^{\circ}\text{C}$.
3. 额定电压: 150V AC/DC.
4. 额定电流: 1.0A AC/DC(AWG#28).
5. 接触电阻: $\leq 20\text{m}\Omega$ (Initial) per contact, $\leq 40\text{m}\Omega$ Change allowed.
6. 绝缘电阻: $> 500\text{M}\Omega$.
7. 耐压: 500V AC (Minute)

DIMENSION IN mm		厦门市辛译精密电子有限公司 Xiamen XinYi Xyeconn Electronics Co.,Ltd			
TOLERANCE UNLESS OTHERWISE SPECIFIED		TITLE: 1.25 Pitch DF13 双排立式带柱业务图			
.X \pm 0.35	X.* \pm 5*	APR.	Alex	DWG NO. XY-DF1.25-NA51-TD	
.XX \pm 0.25	.X* \pm 3*	CHK.	Jack	PROJ. CUSTOMER DRAWING	
.XXX \pm 0.15	.XX* \pm 1*	DRA.	Can	SIZE A4	SCALE 1:1
			SHEET 1/1	REV. A	