



**QUICKSWITCH® PRODUCTS**  
**HIGH-SPEED CMOS**  
**QUICKSWITCH**  
**DOUBLE-WIDTH BUS SWITCH**

**IDTQS32X2245**

**FEATURES:**

- Enhanced N channel FET with no inherent diode to Vcc
- Dual '245 function
- 25Ω resistor for low noise
- Low propagation delay, zero ground bounce
- Undershoot clamp diodes on all switch and control inputs
- TTL-compatible control inputs
- Available in 40-pin QVSOP package

**APPLICATIONS:**

- Hot-swapping, hot-docking
- Voltage translation (5V to 3.3V)
- Bus switching and isolation
- Power conservation
- Clock gating
- Logic replacement

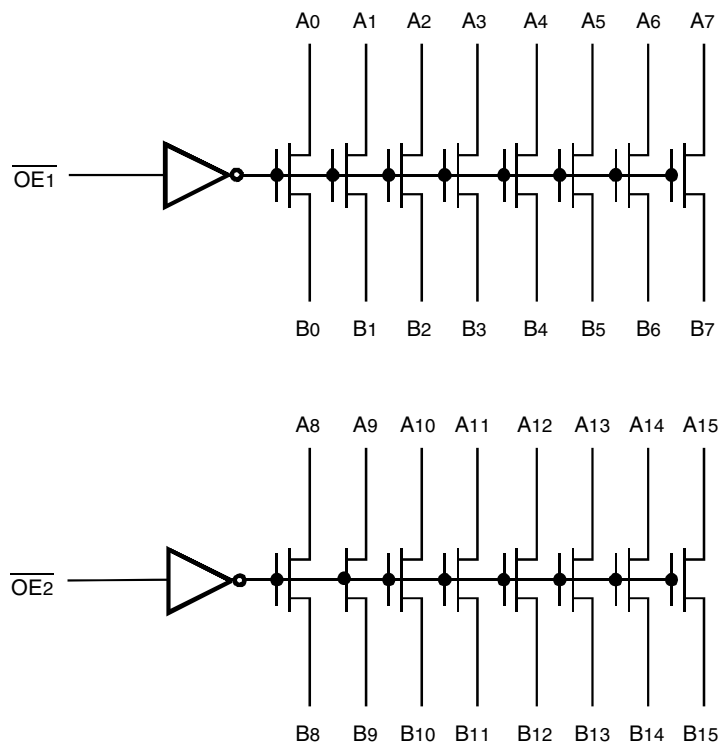
**DESCRIPTION:**

The QS32X2245 provides a set of 16 high-speed CMOS TTL-compatible bus switches in a flow-through pinout. The QS32X2245 includes internal 25Ω resistors to reduce reflection noise in high speed applications. The Output Enable ( $\overline{OE}n$ ) signals turn the switches on similar to the  $\overline{OE}n$  signal of the 74'245.

QuickSwitch devices provide an order of magnitude faster speed than conventional logic devices.

The QS32X2245 is characterized for operation at -40°C to +85°C.

**FUNCTIONAL BLOCK DIAGRAM**

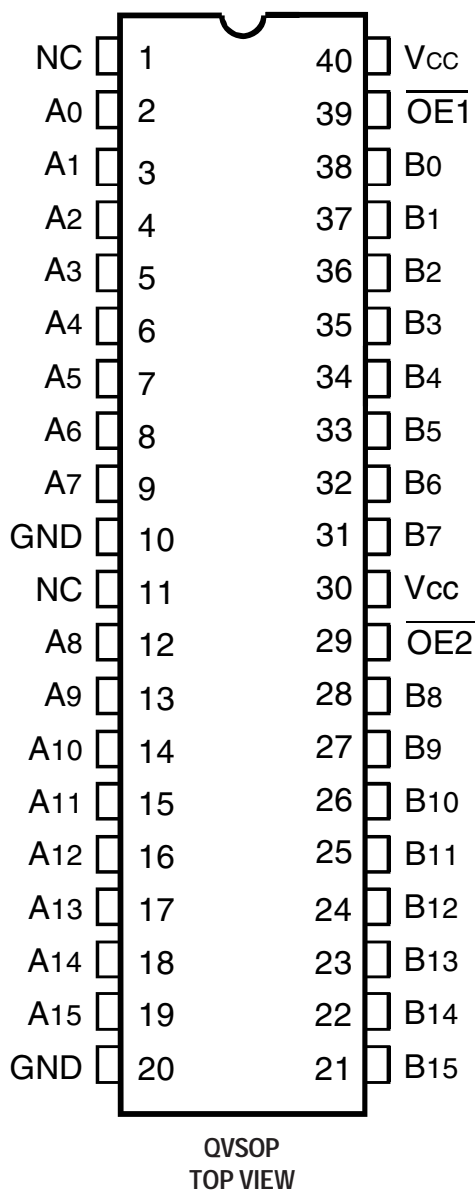


The IDT logo is a registered trademark of Integrated Device Technology, Inc.

**INDUSTRIAL TEMPERATURE RANGE**

**OCTOBER 2008**

### PIN CONFIGURATION



### ABSOLUTE MAXIMUM RATINGS<sup>(1)</sup>

| Symbol                           | Description                                       | Max         | Unit |
|----------------------------------|---|-------------|------|
| V <sub>TERM</sub> <sup>(2)</sup> | Supply Voltage to Ground                          | -0.5 to +7  | V    |
| V <sub>TERM</sub> <sup>(3)</sup> | DC Switch Voltage V <sub>s</sub>                  | -0.5 to +7  | V    |
| V <sub>TERM</sub> <sup>(3)</sup> | DC Input Voltage V <sub>IN</sub>                  | -0.5 to +7  | V    |
| V <sub>AC</sub>                  | AC Input Voltage (pulse width ≤ 20ns)             | -3          | V    |
| I <sub>OUT</sub>                 | DC Output Current                                 | 120         | mA   |
| P <sub>MAX</sub>                 | Maximum Power Dissipation (T <sub>A</sub> = 85°C) | 0.92        | W    |
| T <sub>STG</sub>                 | Storage Temperature                               | -65 to +150 | °C   |

**NOTE:**

- Stresses greater than those listed under ABSOLUTE MAXIMUM RATINGS may cause permanent damage to the device. This is a stress rating only and functional operation of the device at these or any other conditions above those indicated in the operational sections of this specification is not implied. Exposure to absolute maximum rating conditions for extended periods may affect reliability.
- V<sub>CC</sub> terminals.
- All terminals except V<sub>CC</sub>.

### CAPACITANCE

(T<sub>A</sub> = +25°C, f = 1.0MHz, V<sub>IN</sub> = 0V, V<sub>OUT</sub> = 0V)

| Pins                              | Typ. | Max. <sup>(1)</sup> | Unit |
|-----------------------------------|------|---------------------|------|
| Control Pins                      | 3    | 5                   | pF   |
| Quickswitch Channels (Switch OFF) | 5    | 7                   | pF   |

**NOTE:**

- This parameter is measured at characterization but not tested.

### PIN DESCRIPTION

| Pin Names                           | I/O | Description |
|-------------------------------------|-----|-------------|
| $\overline{OE1}$ , $\overline{OE2}$ | I   | Bus Enable  |
| A <sub>n</sub>                      | I/O | Bus A       |
| B <sub>n</sub>                      | I/O | Bus B       |

### FUNCTION TABLE<sup>(1)</sup>

| $\overline{OE1}$ | $\overline{OE2}$ | A <sub>0</sub> - A <sub>7</sub> | A <sub>8</sub> - A <sub>15</sub> | Function   |
|------------------|------------------|---------------------------------|----------------------------------|------------|
| H                | H                | Z                               | Z                                | Disconnect |
| L                | H                | B <sub>0</sub> - B <sub>7</sub> | Z                                | Connect    |
| H                | L                | Z                               | B <sub>8</sub> - B <sub>15</sub> | Connect    |
| L                | L                | B <sub>0</sub> - B <sub>7</sub> | B <sub>8</sub> - B <sub>15</sub> | Connect    |

**NOTE:**

- H = HIGH Voltage Level  
L = LOW Voltage Level  
Z = High-Impedance

## DC ELECTRICAL CHARACTERISTICS OVER OPERATING RANGE

Following Conditions Apply Unless Otherwise Specified:

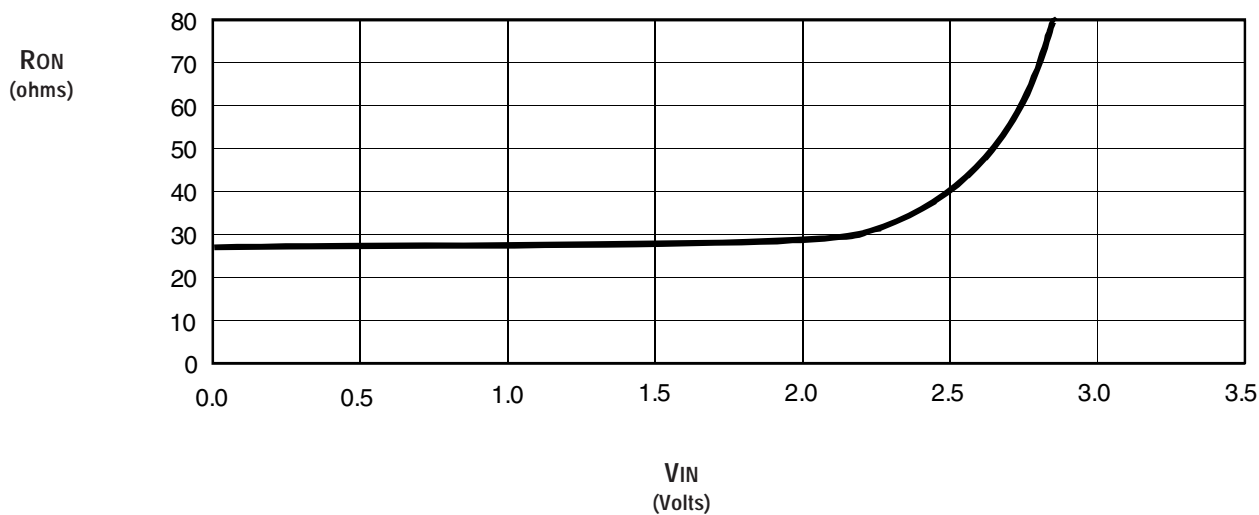
Industrial:  $T_A = -40^{\circ}\text{C}$  to  $+85^{\circ}\text{C}$ ,  $V_{CC} = 5.0\text{V} \pm 5\%$

| Symbol         | Parameter   | Test Conditions  | Min. | Typ. <sup>(1)</sup> | Max.    | Unit          |
|----------------|---|--|------|---------------------|---------|---------------|
| $V_{IH}$       | Input HIGH Level                                      | Guaranteed Logic HIGH for Control Pins                                   | 2    | —                   | —       | V             |
| $V_{IL}$       | Input LOW Level                                       | Guaranteed Logic LOW for Control Pins                                    | —    | —                   | 0.8     | V             |
| $I_{IN}$       | Input Leakage Current (Control Inputs) <sup>(2)</sup> | $0\text{V} \leq V_{IN} \leq V_{CC}$                                      | —    | $\pm 0.01$          | $\pm 1$ | $\mu\text{A}$ |
| $I_{OZ}$       | Off-State Output Current (Hi-Z)                       | $0\text{V} \leq V_{OUT} \leq V_{CC}$ , Switches OFF                      | —    | $\pm 0.01$          | $\pm 1$ | $\mu\text{A}$ |
| $R_{ON}^{(3)}$ | Switch ON Resistance                                  | $V_{CC} = \text{Min.}$ , $V_{IN} = 0\text{V}$ , $I_{ON} = 30\text{mA}$   | 18   | 23                  | 35      | $\Omega$      |
|                |   | $V_{CC} = \text{Min.}$ , $V_{IN} = 2.4\text{V}$ , $I_{ON} = 15\text{mA}$ | 18   | 25                  | 40      |               |
| $V_P$          | Pass Voltage <sup>(2)</sup>                           | $V_{IN} = V_{CC} = 5\text{V}$ , $I_{OUT} = -5\mu\text{A}$                | 3.7  | 4                   | 4.2     | V             |

### NOTES:

1. Typical values are at  $V_{CC} = 5.0\text{V}$ ,  $T_A = 25^{\circ}\text{C}$ .
2. Pass Voltage is guaranteed but not production tested.
3.  $R_{OUT}$  changed on March 8, 2002. See rear page for more information.

## TYPICAL ON RESISTANCE VS $V_{IN}$ AT $V_{CC} = 5\text{V}$



## POWER SUPPLY CHARACTERISTICS

| Symbol           | Parameter  | Test Conditions <sup>(1)</sup>   | Max. | Unit   |
|------------------|--|--|------|--------|
| I <sub>CCQ</sub> | Quiescent Power Supply Current                             | V <sub>CC</sub> = Max., V <sub>IN</sub> = GND or V <sub>CC</sub> , f = 0               | 6    | μA     |
| ΔI <sub>CC</sub> | Power Supply Current per Control Input HIGH <sup>(2)</sup> | V <sub>CC</sub> = Max., V <sub>IN</sub> = 3.4V, f = 0                                  | 1.5  | mA     |
| I <sub>CCD</sub> | Dynamic Power Supply Current per MHz <sup>(3)</sup>        | V <sub>CC</sub> = Max., A and B pins open<br>Control Inputs Toggling at 50% Duty Cycle | 0.25 | mA/MHz |

### NOTES:

- For conditions shown as Min. or Max., use the appropriate values specified under DC Electrical Characteristics.
- Per TLL driven input (V<sub>IN</sub> = 3.4V, control inputs only). A and B pins do not contribute to ΔI<sub>CC</sub>.
- This current applies to the control inputs only and represents the current required to switch internal capacitance at the specified frequency. The A and B inputs generate no significant AC or DC currents as they transition. This parameter is guaranteed but not production tested.

## SWITCHING CHARACTERISTICS OVER OPERATING RANGE

T<sub>A</sub> = -40°C to +85°C, V<sub>CC</sub> = 5.0V ± 5%;

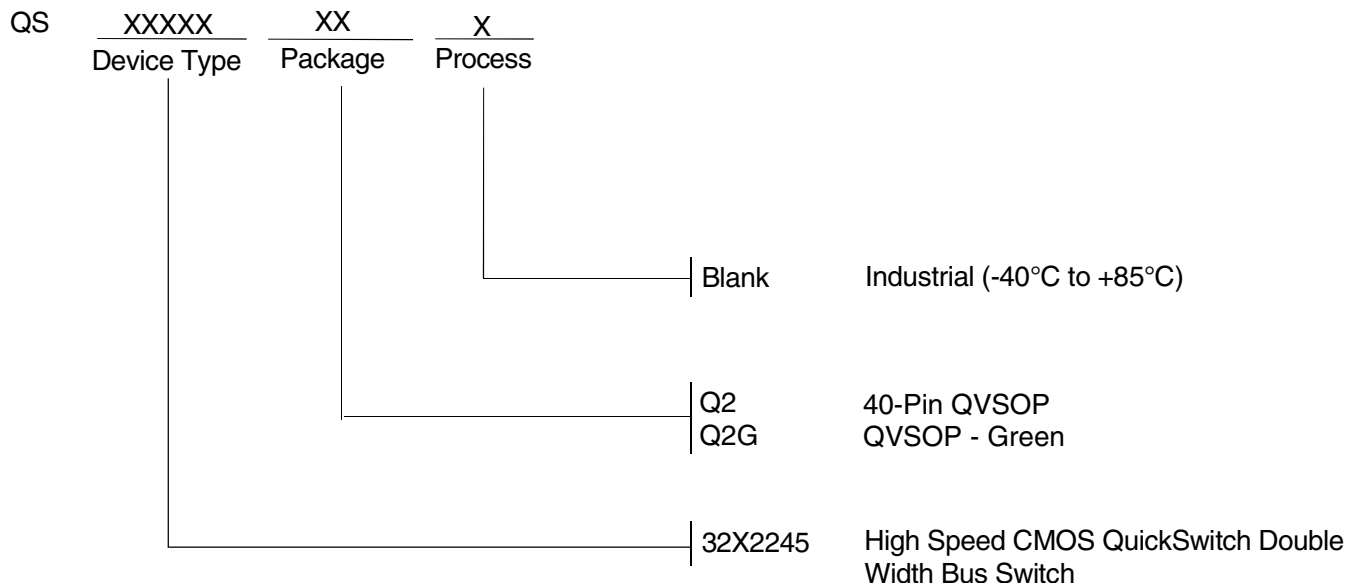
C<sub>LOAD</sub> = 50pF, R<sub>LOAD</sub> = 500Ω unless otherwise noted.

| Symbol           | Parameter                               | Min. <sup>(1)</sup> | Typ. | Max. | Unit |
|------------------|---|---------------------|------|------|------|
| t <sub>PLH</sub> | Data Propagation Delay <sup>(2,3)</sup> | —                   | —    | 1.25 | ns   |
| t <sub>PHL</sub> | An to/from Bn                           | —                   | —    | —    | —    |
| t <sub>PZL</sub> | Switch Turn-on Delay                    | 0.5                 | —    | 6.6  | ns   |
| t <sub>PZH</sub> | $\overline{OE}$ to An/Bn                | —                   | —    | —    | —    |
| t <sub>PLZ</sub> | Switch Turn-off Delay <sup>(2)</sup>    | 0.5                 | —    | 4.5  | ns   |
| t <sub>PHZ</sub> | $\overline{OE}$ to An/Bn                | —                   | —    | —    | —    |

### NOTES:

- Minimums are guaranteed but not production tested.
- This parameter is guaranteed but not production tested.
- The bus switch contributes no propagation delay other than the RC delay of the ON resistance of the switch and the load capacitance. The time constant for the switch alone is of the order of 1.25ns for C<sub>L</sub> = 50pF. Since this time constant is much smaller than the rise and fall times of typical driving signals, it adds very little propagation delay to the system. Propagation delay of the bus switch, when used in a system, is determined by the driving circuit on the driving side of the switch and its interaction with the load on the driven side.

## ORDERING INFORMATION



As per PCN L0201-02, the Output Resistance ( $R_{ON}$ ) specifications have changed as of March 8, 2002. The original specifications were:

| Parameter | Description                       | Min. | Typ. | Max. | Unit |
|-----------|-----------------------------------|------|------|------|------|
| RON       | VCC = Min, VIN = 0V, ION = 30mA   | 20   | 28   | 40   | Ω    |
|           | VCC = Min, VIN = 2.4V, ION = 15mA | 20   | 35   | 48   |      |



**CORPORATE HEADQUARTERS**  
 6024 Silver Creek Valley Road  
 San Jose, CA 95138

**for SALES:**  
 800-345-7015 or 408-284-8200  
 fax: 408-284-2775  
 www.idt.com

**for Tech Support:**  
 logichelp@idt.com