

Molded SMD Power Inductor



ASPIAIG-Q1010

Request Samples



Check Inventory



11.9 x 11.0 x 9.7 mm
RoHS/RoHS II Compliant
MSL Level = 1

Features

- PPAP ready and supported
- TS16949 certified production lines
- AEC-Q200 Grade 0 qualified (-55°C ~ +155°C)
- Shielded construction
- Soft saturation
- Low DCR, High Efficiency

Applications

- Body electronics and comfort system
- Infotainment and entertainment
- Electric vehicles
- Lighting
- Solar inverters and power
- Industrial and robotics
- Medium and high-power switch mode power supplies.

Electrical Specifications

Part Number	Inductance	Tolerance	DC Resistance	Saturation Current	Temperature Rise Current	Electrode Length
	0.1MHz/0.1V		Max	Typ	Typ	±5%
Units	μH	%	mΩ	A	A	mm
Symbol	L		DCR (Max)	Isat	Irms	D
ASPIAIG-Q1010-2R2	2.2	M	2.8	29.0	32.0	9.3
ASPIAIG-Q1010-3R3	3.3	M	4.10	23.4	25.0	9.3
ASPIAIG-Q1010-4R7	4.7	M	5.70	21.4	24.0	9.3
ASPIAIG-Q1010-5R6	5.6	M	7.20	19.6	21.2	9.3
ASPIAIG-Q1010-6R8	6.8	M	8.90	18.5	18.5	9.0
ASPIAIG-Q1010-8R2	8.2	M	12.40	16.3	17.1	9.0
ASPIAIG-Q1010-100	10	M	13.75	14.6	15.5	9.0
ASPIAIG-Q1010-150	15	M	19.30	12.5	13.8	9.0

Test Conditions

Isat: DC current at which the inductance drops 30% from its value without current.

Irms: DC current that causes the temperature rise (ΔT , approximate 40 °C) from 20°C ambient

Operating Temperature: -55°C ~ +155°C (including self-temperature rise)

Storage Condition: -55°C ~ +155°C (PCB mounted) and R.H. 60 max

Operating Voltage: 40V (across inductor)

ASPIAIG-Q1030 Series is **RoHS Compliant and Pb free**

ASPIAIG-Q1030 is AEC-Q200 Grade 0 qualified (-55°C ~ +155°C)

MSL level: 1



5101 Hidden Creek Ln Spicewood TX 78669
Phone: 512-371-6159 | Fax: 512-351-8858
For terms and conditions of sales, please visit:
www.abracon.com

REV B: 01-05-24

ABRACON IS
ISO9001-2015
CERTIFIED

Molded SMD Power Inductor



ASPIAIG-Q1010

Request Samples

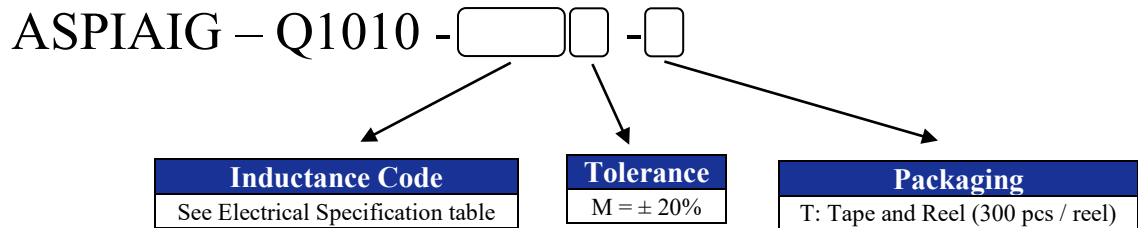


Check Inventory

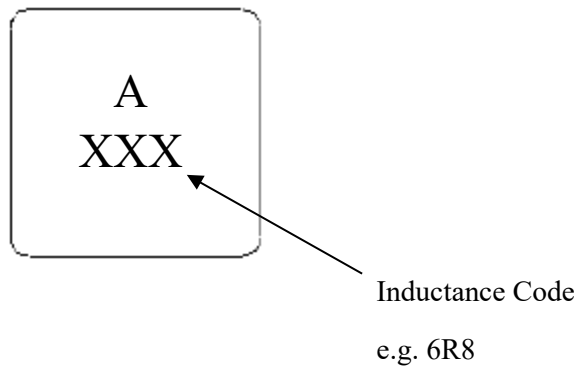


11.9 x 11.0 x 9.7 mm
RoHS/RoHS II Compliant
MSL Level = 1

Part Number Identification



Marking



Marking Method = Ink Marking

Molded SMD Power Inductor



ASPIAIG-Q1010

Request Samples

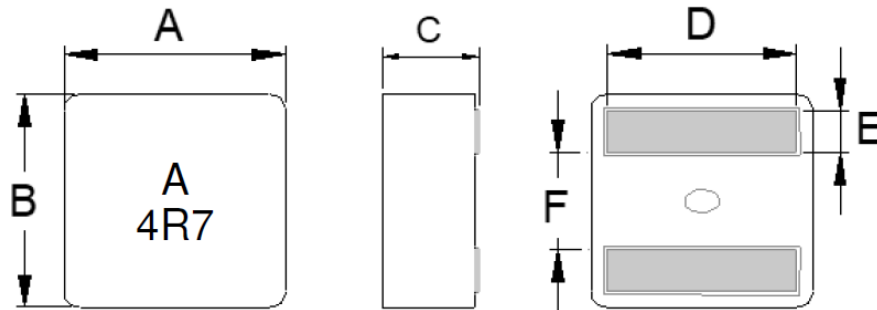


Check Inventory

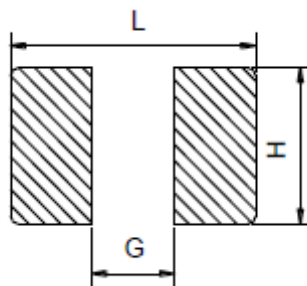


11.9 x 11.0 x 9.7 mm
RoHS/RoHS II Compliant
 MSL Level = 1

Mechanical Dimensions



Series	A	B	C	D	E	F
ASPIAIG-Q1010	11.9 ± 0.3	11.0 ± 0.3	9.7 ± 0.3	Refer to Electrical spec table	2.4 ± 0.2	4.4 ± 0.3



L	G	H
10.5 Ref.	3.7 Ref.	11.0 Ref.

Dimensions: mm

Molded SMD Power Inductor



ASPIAIG-Q1010

Request Samples

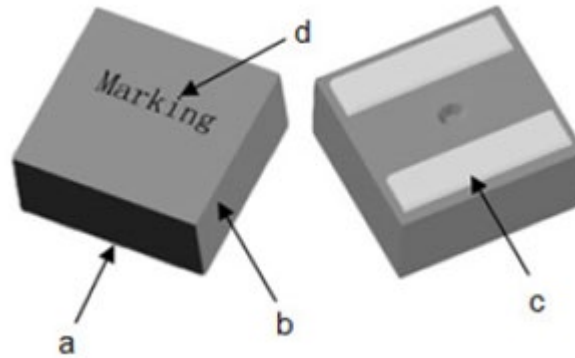


Check Inventory



11.9 x 11.0 x 9.7 mm
RoHS/RoHS II Compliant
MSL Level = 1

Materials



	Components	Material
a	Core	Alloy powder
b	Wire	220 deg. C Flat Wire
c	Solder	100% Pb free solder
d	Ink	Halogen-free ketone

Molded SMD Power Inductor



ASPIAIG-Q1010

Request Samples

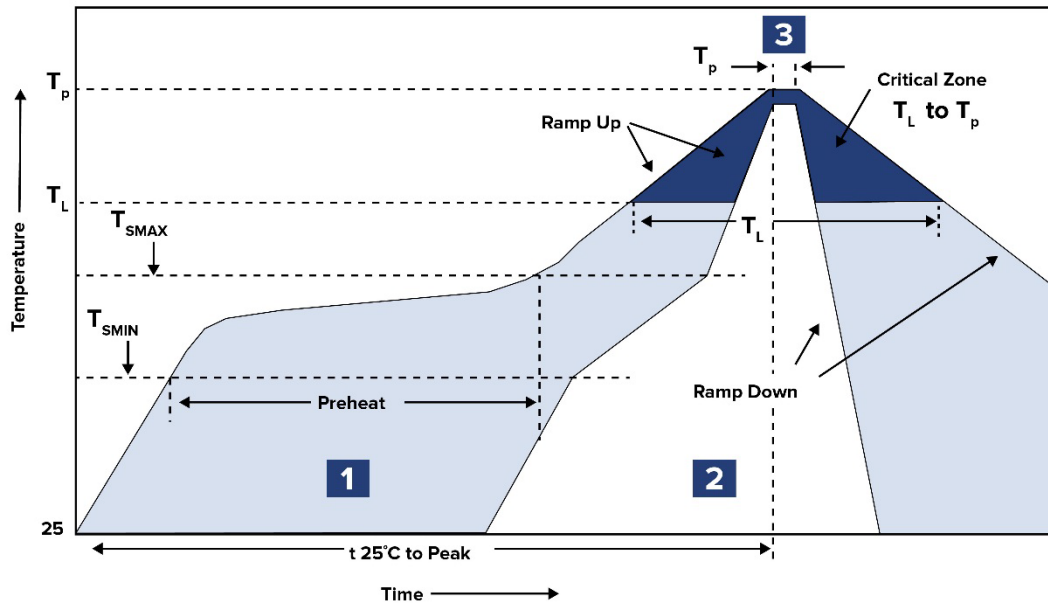


Check Inventory



11.9 x 11.0 x 9.7 mm
RoHS/RoHS II Compliant
MSL Level = 1

Reflow Profile



Zone	Description	Temperature	Times
1	Preheat	$T_{SMIN} \sim T_{SMAX}$ 150°C ~ 200°C	60 ~ 180 sec.
2	Reflow	T_L 217°C	60 ~ 150 sec.
3	Peak heat	T_P 260°C	10 sec. MAX

Molded SMD Power Inductor



ASPIAIG-Q1010

Request Samples



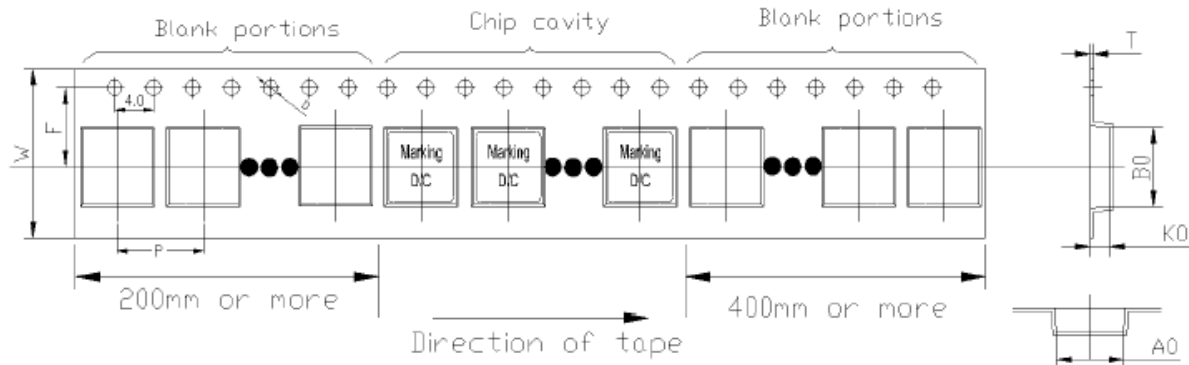
Check Inventory



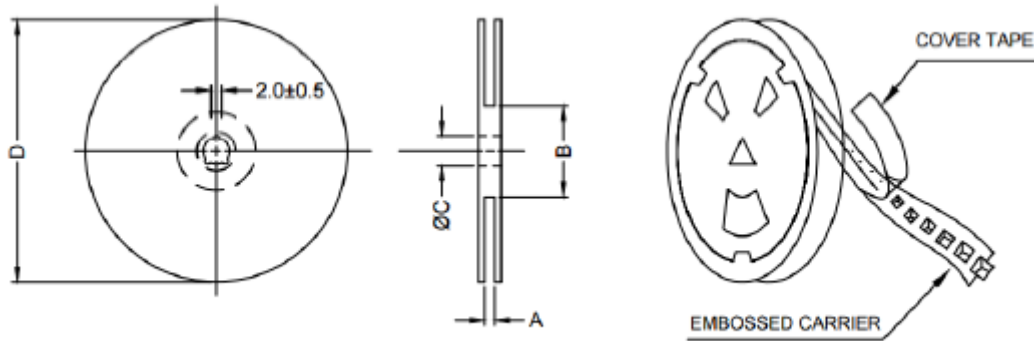
11.9 x 11.0 x 9.7 mm
RoHS/RoHS II Compliant
MSL Level = 1

Packaging

Tape & Reel: 300 pcs/reel



W	F	P	D	A ₀	B ₀	T	K ₀
24.0±0.3	11.5±0.1	16.0±0.1	1.5±0.1	8.9±0.1	9.0 ±0.1	0.35±0.05	4.5±0.1



A	B	C	D
24.4+2/-0	100 ± 2	13.0+0.5/-0.2	330

ATTENTION: Abracon LLC's products are COTS – Commercial-Off-The-Shelf products; suitable for Commercial, Industrial and, where designated, Automotive Applications. Abracon's products are not specifically designed for Military, Aviation, Aerospace, Life-dependent Medical applications or any application requiring high reliability where component failure could result in loss of life and/or property. For applications requiring high reliability and/or presenting an extreme operating environment, written consent and authorization from Abracon LLC is required. Please contact Abracon LLC for more information.



5101 Hidden Creek Ln Spicewood TX 78669
 Phone: 512-371-6159 | Fax: 512-351-8858
 For terms and conditions of sales, please visit:
www.abracon.com

REV B: 01-05-24

ABRACON IS
 ISO9001-2015
 CERTIFIED