

Molded SMD Power Inductor



ASPI-F1030

Request Samples



Check Inventory



11.9 x 11.0 x 2.9 mm
RoHS/RoHS II Compliant
MSL Level = 1

Features

- Shielded construction
- Soft saturation
- Low DCR, High Efficiency
- Designed for switching frequencies between 100KHz-2MHz

Applications

- Body electronics and comfort system
- Infotainment and entertainment
- Electric vehicles
- Lighting
- Solar inverters and power
- Industrial and robotics
- Medium and high power switch mode power supplies.

Electrical Specifications

Part Number	Inductance	Tolerance	DC Resistance	Saturation Current	Temperature Rise Current
	0.1MHz/0.1V		Max	Max	Typ.
Units	μH	%	m Ω	A	A
Symbol	L	M	DCR	Isat	Irms
ASPI-F1030- R28	0.28	± 20	1.60	58.0	35.0
ASPI-F1030- R56	0.56	± 20	2.75	39.0	32.0
ASPI-F1030- R82	0.82	± 20	4.10	32.0	25.0
ASPI-F1030- R90	0.90	± 20	4.20	31.0	24.0
ASPI-F1030- 1R0	1.0	± 20	4.95	30.0	23.0
ASPI-F1030- 1R5	1.5	± 20	6.60	25.0	18.0

Test Conditions

Isat: DC current at which the inductance drops 30% from its value without current.

Irms: DC current that causes the temperature rise (ΔT , approximate 40 °C) from 20°C ambient

Operating Temperature: -40°C ~ +125°C (including self-temperature rise)

Storage Condition: -10°C ~ +40°C (in original packaging) and R.H. 60 max

Operating Voltage: 40V (across inductor)

ASPI-F1030 Series is **RoHS Compliant and Pb free**

MSL level: 1

Molded SMD Power Inductor



ASPI-F1030

Request Samples

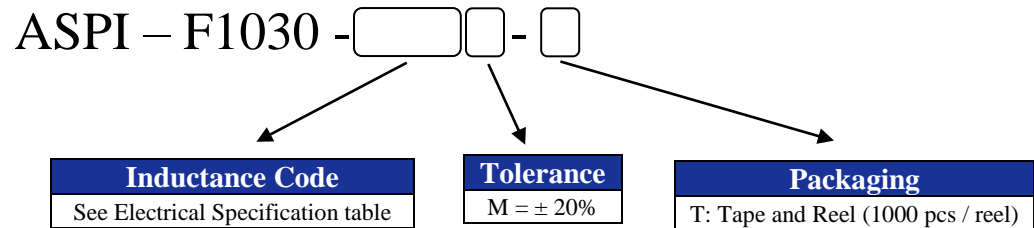


Check Inventory

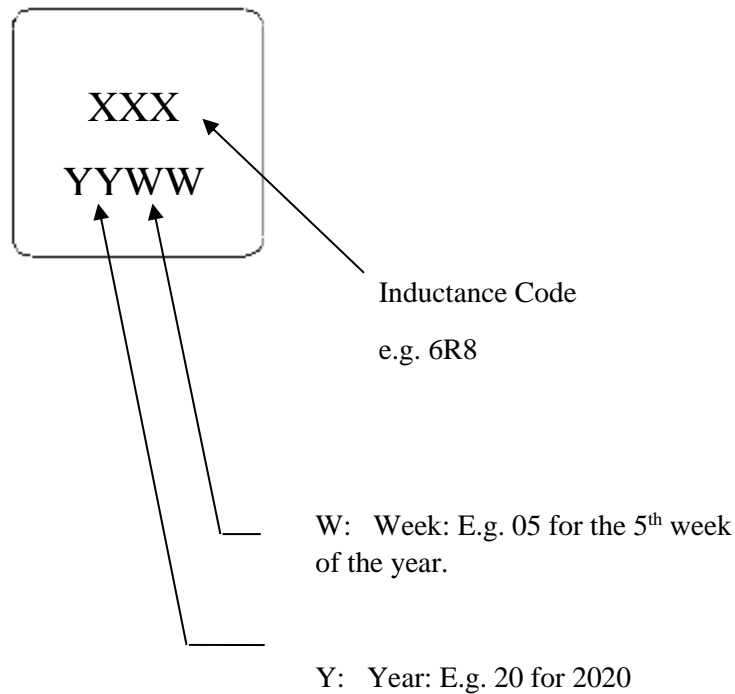


11.9 x 11.0 x 2.9 mm
RoHS/RoHS II Compliant
MSL Level = 1

Part Number Identification



Marking



Marking Method = Ink Marking

Molded SMD Power Inductor



ASPI-F1030

Request Samples

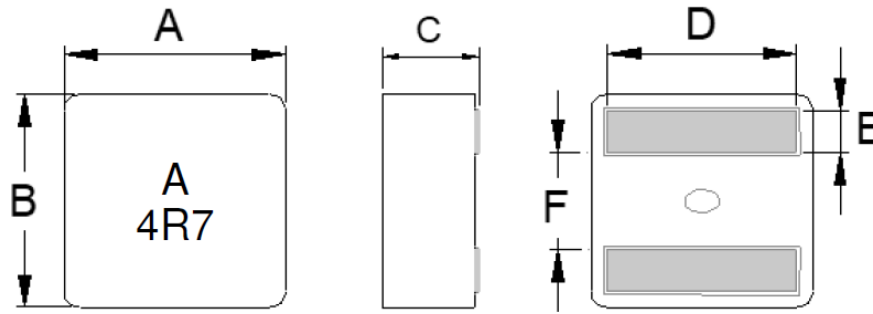


Check Inventory

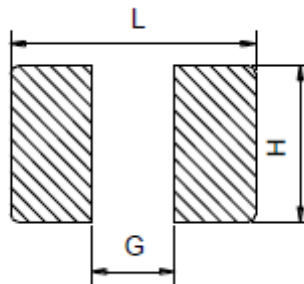


11.9 x 11.0 x 2.9 mm
RoHS/RoHS II Compliant
MSL Level = 1

Mechanical Dimensions



Series	A	B	C	D	E	F
ASPI-F1030	11.9 ± 0.3	11.0 ± 0.3	2.9 ± 0.2	9.0 ± 0.5	2.4 ± 0.2	4.4 ± 0.3



L	G	H
10.5 Ref.	3.7 Ref.	11.0 Ref.

Dimensions: mm

Molded SMD Power Inductor



ASPI-F1030

Request Samples

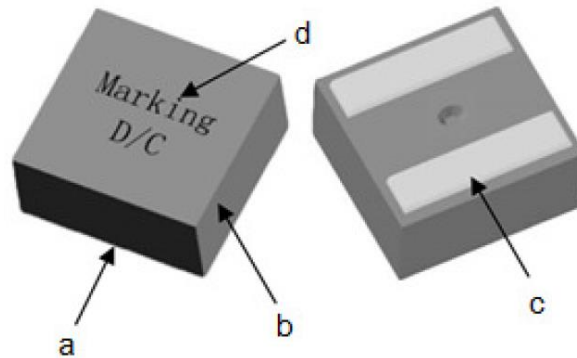


Check Inventory



11.9 x 11.0 x 2.9 mm
RoHS/RoHS II Compliant
MSL Level = 1

Materials



	Components	Material
a	Core	Alloy powder
b	Wire	220 deg. C Flat Wire
c	Solder	100% Pb free solder
d	Ink	Halogen-free ketone

Molded SMD Power Inductor



ASPI-F1030

Request Samples

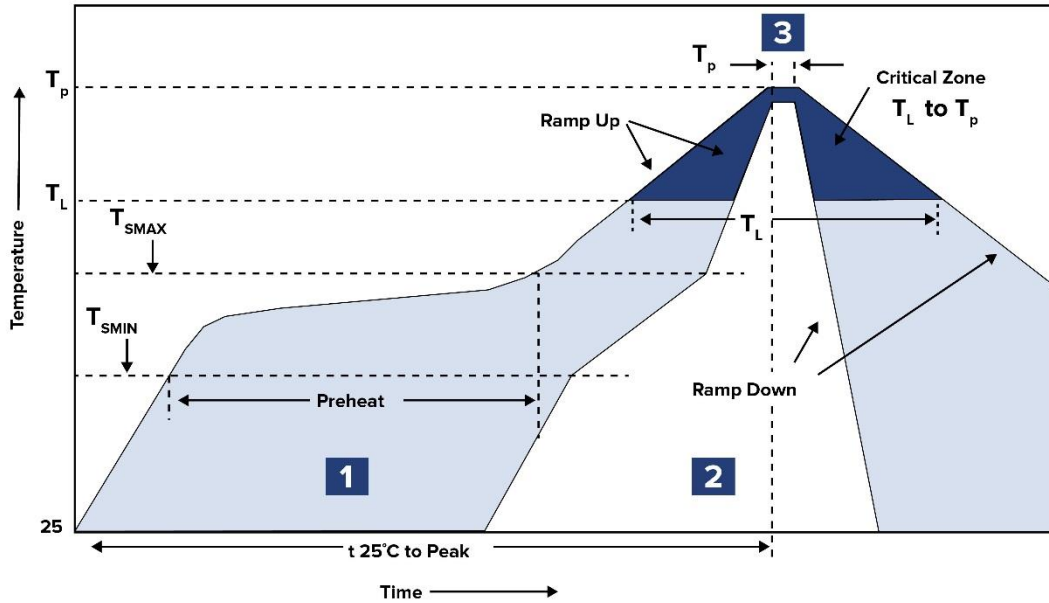


Check Inventory



11.9 x 11.0 x 2.9 mm
RoHS/RoHS II Compliant
 MSL Level = 1

Reflow Profile



Zone	Description	Temperature	Times
1	Preheat	$T_{SMIN} \sim T_{SMAX}$ 150°C ~ 200°C	60 ~ 180 sec.
2	Reflow	T_L 217°C	60 ~ 150 sec.
3	Peak heat	T_P 260°C	10 sec. MAX

Molded SMD Power Inductor



ASPI-F1030

Request Samples



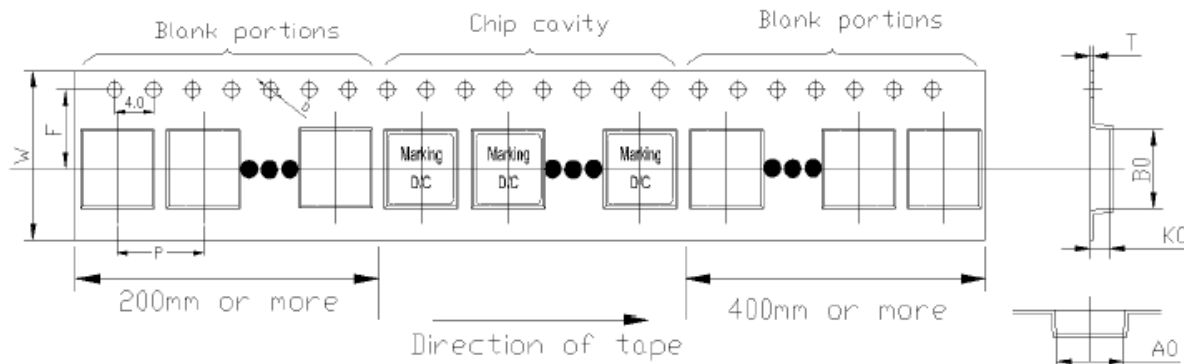
Check Inventory



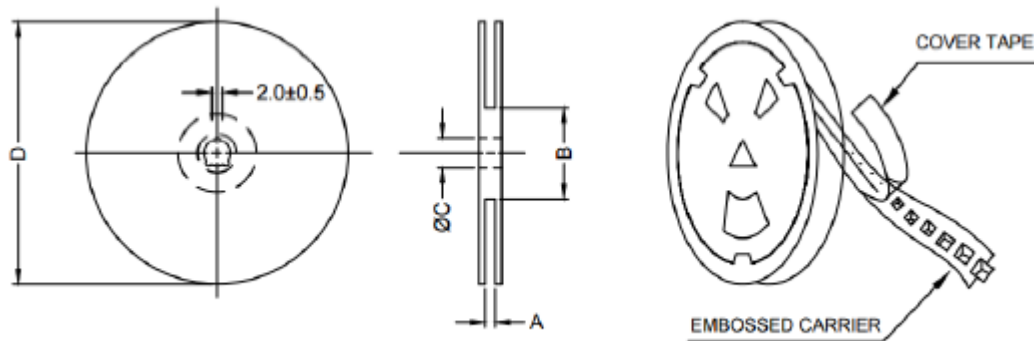
11.9 x 11.0 x 2.9 mm
RoHS/RoHS II Compliant
MSL Level = 1

Packaging

Tape & Reel: 1000 pcs/reel



W	F	P	D	A ₀	B ₀	T	K ₀
24.0±0.3	11.5±0.1	16.0±0.1	1.5±0.1	12.4±0.1	11.5 ±0.1	0.35±0.1	3.3±0.1



A	B	C	D
24.4+2/-0	100 ± 2	13.0+0.5/-0.2	330

ATTENTION: Abracon LLC's products are COTS – Commercial-Off-The-Shelf products; suitable for Commercial, Industrial and, where designated, Automotive Applications. Abracon's products are not specifically designed for Military, Aviation, Aerospace, Life-dependent Medical applications or any application requiring high reliability where component failure could result in loss of life and/or property. For applications requiring high reliability and/or presenting an extreme operating environment, written consent and authorization from Abracon LLC is required. Please contact Abracon LLC for more information.



5101 Hidden Creek Ln Spicewood TX 78669
 Phone: 512-371-6159 | Fax: 512-351-8858
 For terms and conditions of sales, please visit:
www.abracon.com

REVISED: 06-28-21

ABRACON IS
 ISO9001-2015
 CERTIFIED