

1

2

3

4

A

A

B

B

C

C

D

D

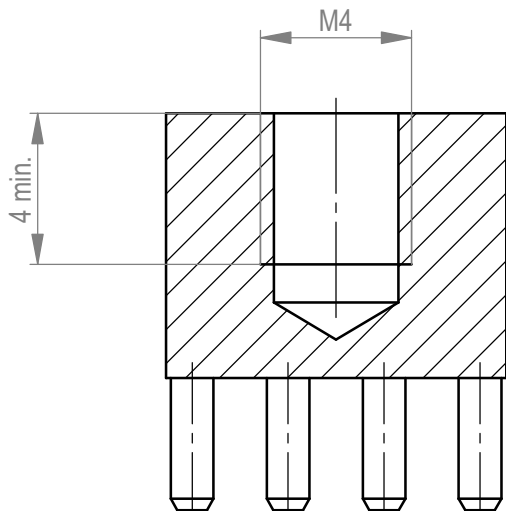
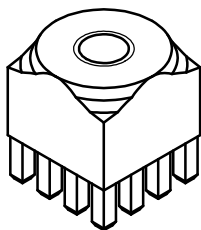
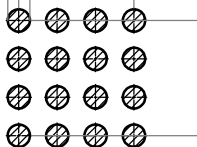
E

E

F

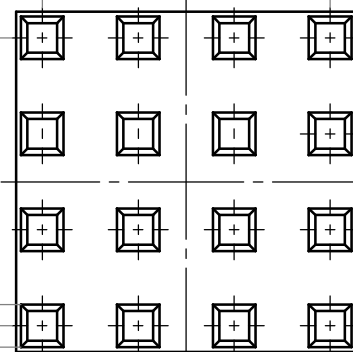
F

4 min.

Schnitt A-A  
cross section A-ALayout - Vorschlag  
PCB - Layout proposal  
M 2:1  
scale 2:1M 2:1  
scale 2:1
 $3 \times 2,54 = 7,62$   
 $(16 \times) \phi 1,475$ 

 $3 \times 2,54 = 7,62$ 
 $3 \times 2,54 = 7,62$ 
 $3 \times 2,54 = 7,62$ 
 $\square 1,1$ 

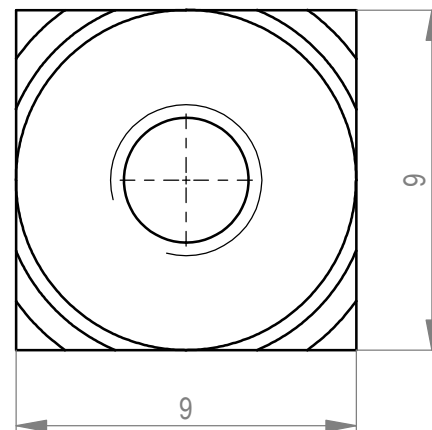
7

3,5



A

A


 2-6µm Sn matt über 1-3µm Cu  
 2-6µm sn matt over 1-3µm cu

Ⓐ Oberfläche / plating

Dimension no.

Tolerances



Scale 5:1

Material

CuZn39 Pb 3

Customer drawing:

This Drawing is a  
controlled Document.Subject to modification without  
prior notice.  
Drawing will not be updated.PowerElement female thread  
full population M4

C-225682-E

C

A4

b1

13.05.2023

Index

Date

Class

POWELM