

1

2

3

4

A

A

B

B

C

C

D

D

E

E

F

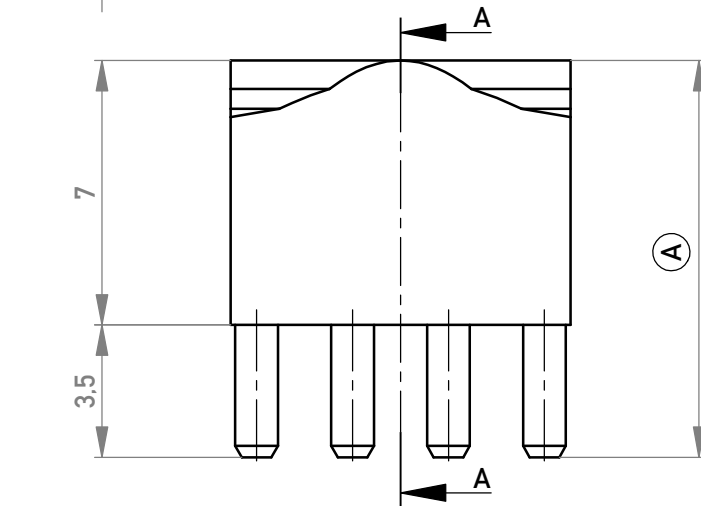
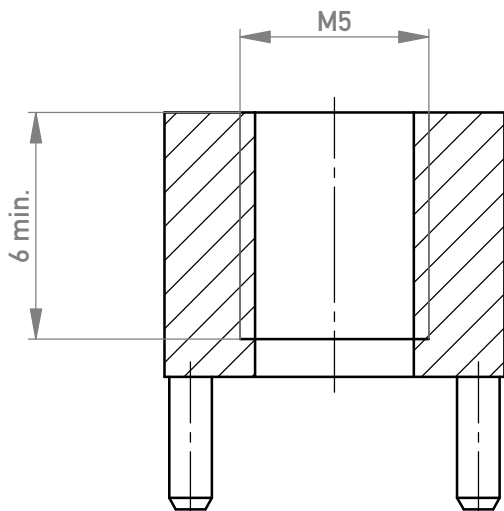
F

$3 \times 2.54 = 7.62$

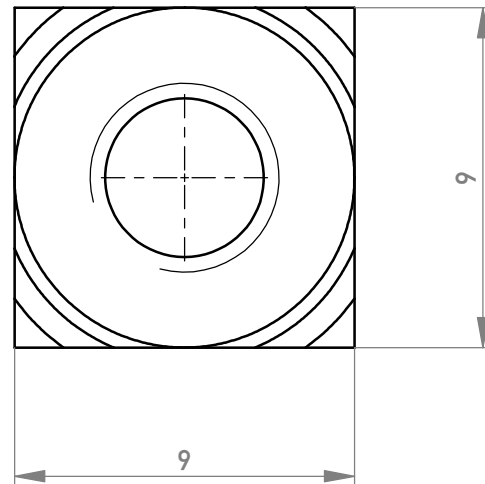
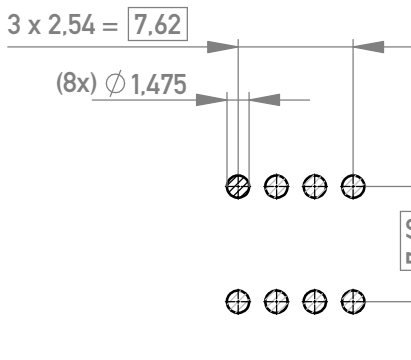
7.62

1.1

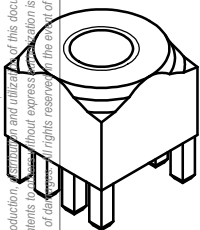
Schnitt A-A
cross section A-A



Layout - Vorschlag
PCB - Layout proposal
M 2:1
scale 2:1



M 2:1
scale 2:1



2-6µm Sn matt über 1-3µm Cu
2-6µm sn matt over 1-3µm cu

(A) Oberfläche / plating

Weitergabe sowie Vervielfältigung dieses Dokuments, Verwertung und Mitteilung seines Inhalts sind verboten, soweit nicht ausdrücklich gestattet. Zuwiderhandlungen verpflichten zu Schadenersatz. Alle Rechte für den Fall der Patent-, Gebrauchsmuster- oder Geschmacksmusterertragung vorbehalten. The reproduction, copying and utilization of this document as well as the communication of its contents to third parties without express permission is prohibited. Offenders will be held liable for the payment of damages. All rights reserved in the event of the grant of a patent, utility model or design. In case of any deviation the English version shall prevail.

| | | | | |
|---------------|------------------|------------|-------|--|
| Dimension no. | | | | |
| b1 | TE Migration | 13.05.2023 | Admin | |
| Index | Modification Nr. | Date | Name | |

| | | | | | |
|---------------------------------------|------------|-----------------------------|-------|--------------|-------------|
| Tolerances ISO 2768-mH ISO 8015 | | All Dimensions in mm | | Scale 5:1 | Tool-no. |
| Created | 09.09.2016 | Date | Name | Material | CuZn39 Pb 3 |
| Checked | 14.07.2020 | | Fuchs | | |
| Approved | 14.07.2020 | | Koch | | |
| | | | Koch | | |

| | | | |
|--|--|-------------|---------------|
| Material: CuZn39Pb3 | | CuZn39 Pb 3 | |
| PowerElement female thread two row population M5 225695-E | | | |
| Class POWELM | | | C (1/1) A4 |



225695-E

C (1/1)

A4