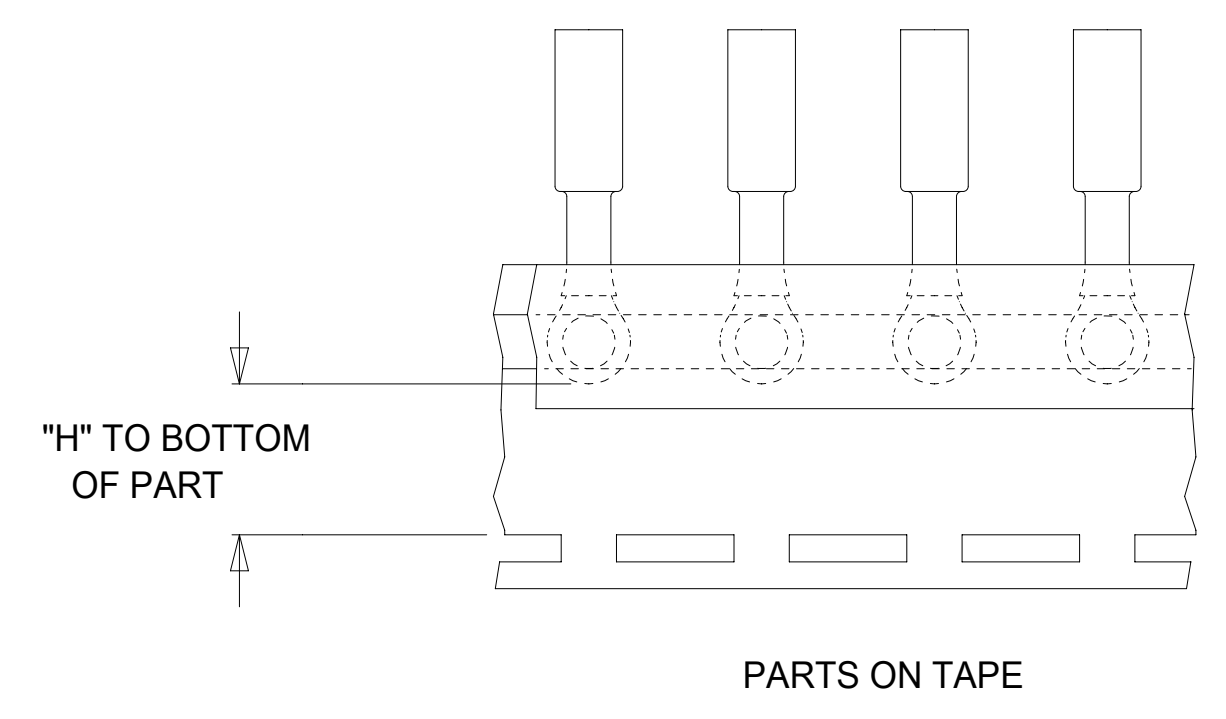
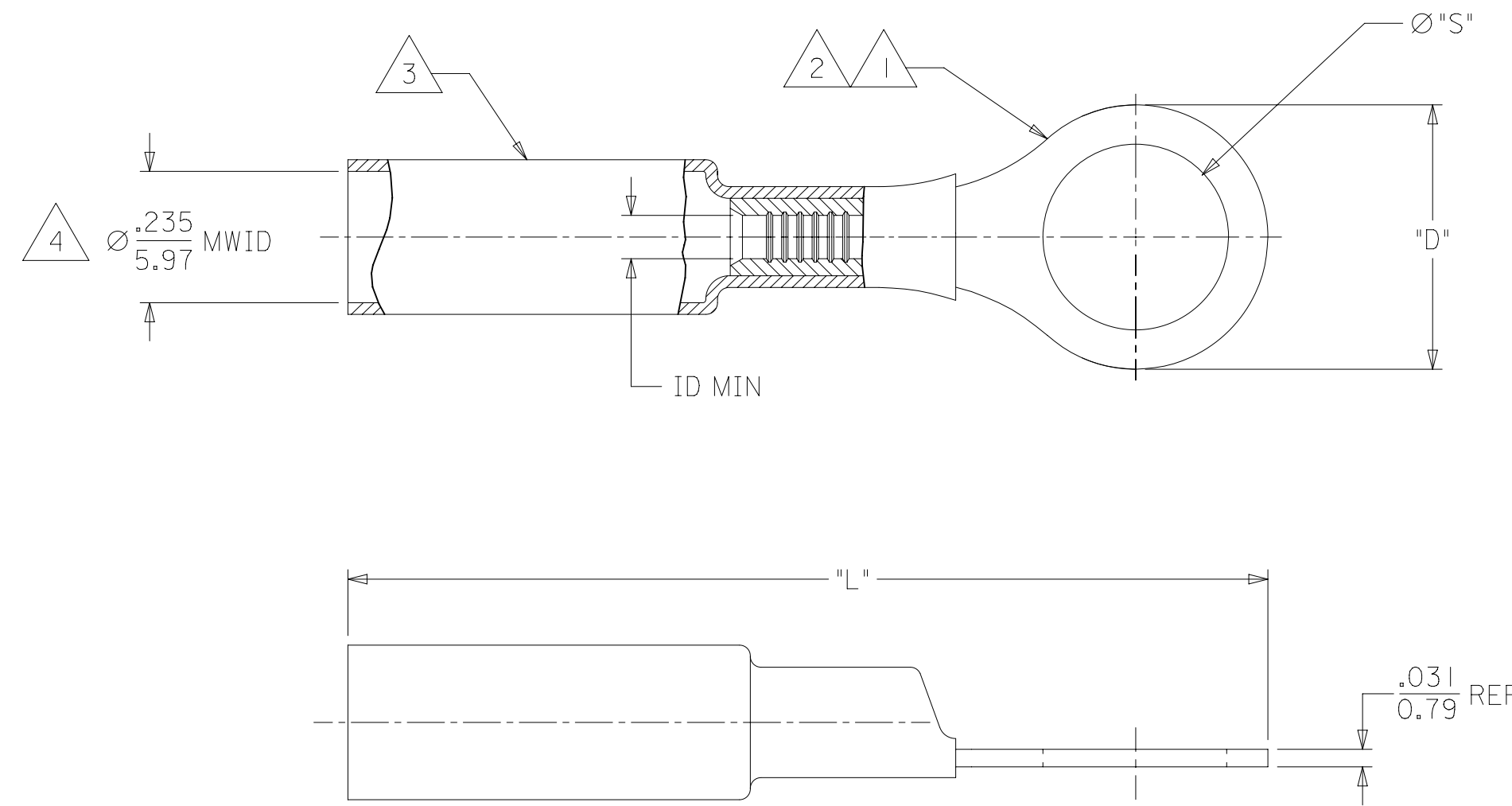


MAT'L NO.	ENG NO.	MAT'L NO. (TAPE)	ENG NO. (TAPE)	STUD SIZE	"S" ±.005 (0.03)	"D" MAX	"H" REF	"L" MAX	ID MIN
191640031	SB-237-04	-----	-----	#4	.119/3.02	.320/8.17	-----	1.45/36.8	.082/2.08
191640032	SB-237-06	191640310	SB-237-06T	#6	.146/3.71	.320/8.17	.545/13.84	1.45/36.8	.082/2.08
191640033	SB-237-08	191640311	SB-237-08T	#8	.173/4.39	.320/8.17	.545/13.84	1.45/36.8	.082/2.08
191640034	SB-237-10	191640312	SB-237-10T	#10	.198/5.03	.320/8.17	.545/13.84	1.45/36.8	.082/2.08
191640025	SB-225-10	-----	-----	#10	.198/5.03	.475/12.07	-----	1.63/41.4	.082/2.08
191640026	SB-225-14	191640308	SB-225-14T	1/4	.265/6.73	.475/12.07	.363/9.22	1.63/41.4	.082/2.08
191640027	SB-225-56	191640309	SB-225-56T	5/16	.328/8.33	.475/12.07	.363/9.22	1.63/41.4	.082/2.08
191640020	SB-218-38	191640307	SB-218-38T	3/8	.390/9.91	.544/13.82	.340/8.64	1.68/42.67	.082/2.08
<b>191640022</b>	<b>SB-223-06</b>	---	---	<b>#6</b>	<b>.146/3.71</b>	<b>.255/6.48</b>	---	<b>1.26/32.0</b>	<b>.082/2.08</b>



- NOTE(S):
- 1 TERMINAL MATERIAL: COPPER ALLOY
  - 2 FINISH: ELECTRO TIN PLATE.
  - 3 INSULATION MATERIAL: HEAT SHRINKABLE TUBING WITH HOTMELT ADHESIVE INNER LINER. COLOR: BLUE
  - 4 MWID = MAXIMUM WIRE UNSULATION DIAMETER.
  - 5. PARTS ARE RoHS COMPLIANT.

FUNCTIONAL SYMBOLS										THIS DRAWING CONTAINS INFORMATION THAT IS PROPRIETARY TO MOLEX ELECTRONIC TECHNOLOGIES, LLC AND SHOULD NOT BE USED WITHOUT WRITTEN PERMISSION									
DIMENSION UNITS					SCALE					CURRENT REV DESC: ENG PN#: SB-237-** "H" REF DIM .545 WAS .527 & SB-225-** "H" REF DIM .363 WAS .338									
IN/MM					NTS														
GENERAL TOLERANCES (UNLESS SPECIFIED)										EC NO: 692404									
4 PLACES ±					MM					INCH					DRWN: DMYRICK 2022/01/17				
3 PLACES ±															CHK'D: JMACNEIL 2022/01/17				
2 PLACES ±															APPR: JMACNEIL 2022/01/17				
1 PLACE ±															INITIAL REVISION:				
0 PLACES ±															DRWN:				
ANGULAR TOL ± °															APPR:				
DRAFT WHERE APPLICABLE MUST REMAIN WITHIN DIMENSIONS					THIRD ANGLE PROJECTION					DRAWING					SERIES				
					C-SIZE					19164					MATERIAL NUMBER				
															SEE CHART				
															CUSTOMER				
															GENERAL MARKET				
															SHEET NUMBER				
															1 OF 1				