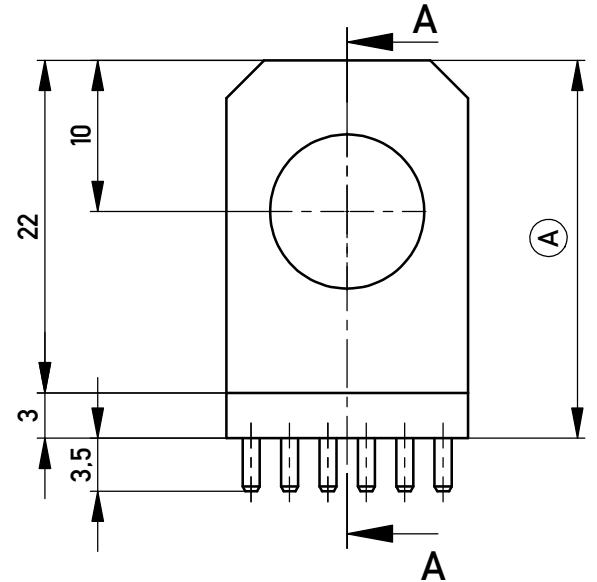
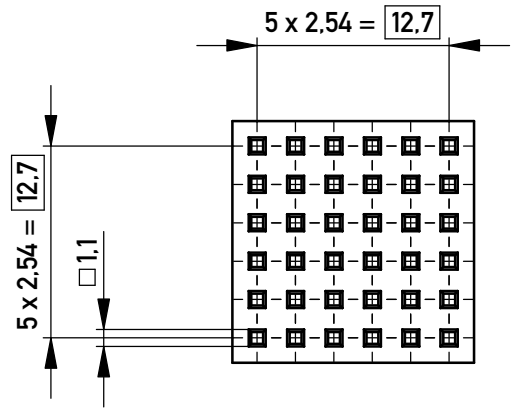
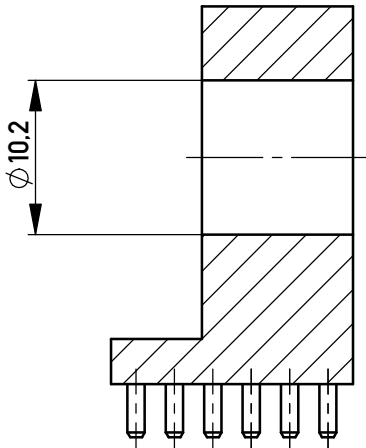
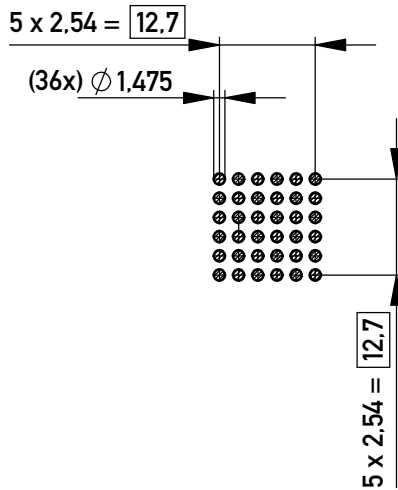


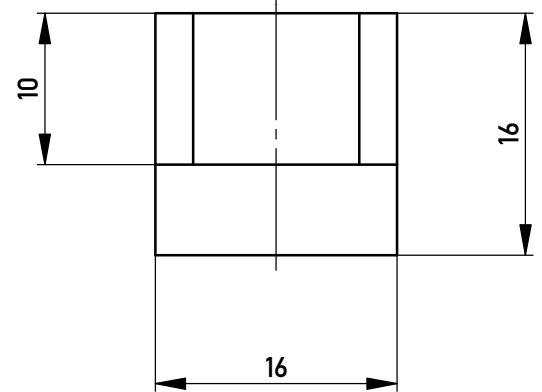
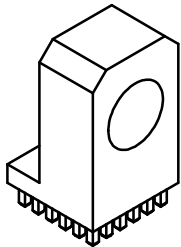
Schnitt A-A
cross section A-A



Layout - Vorschlag
PCB - Layout proposal
M 1:1
scale 1:1



M 1:1
scale 1:1



2-6µm Sn matt über 2-4µm Cu
2-6µm sn matt over 2-4µm cu

Ⓐ Oberfläche / plating

Copyright by ERNI Production GmbH & Co. KG
Proprietary notice pursuant to ISO 16016 to be observed.

Information:		Tolerances	Scale: 2:1	Material: CuZn39Pb3	
All rights reserved. Only for Information. To ensure that this is the latest version of this drawing, please contact one of the ERNI companies before using.		 All Dimensions in mm	Designation		
			PowerElement angled <i>full population d 10,2</i>		
b	19.02.2018		225710		I
Index	Date		www.ERNI.com		A4
		Class		POWELM	