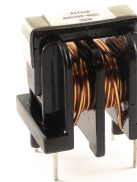




- Common Mode Choke / Line Filter
- UU10.5 Through Hole Design
- Horizontal Mount
- Extended Op. Temp. Range: -40°C to +130°C

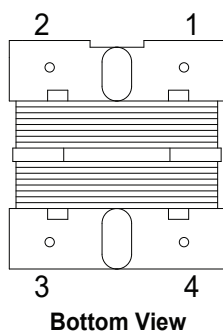
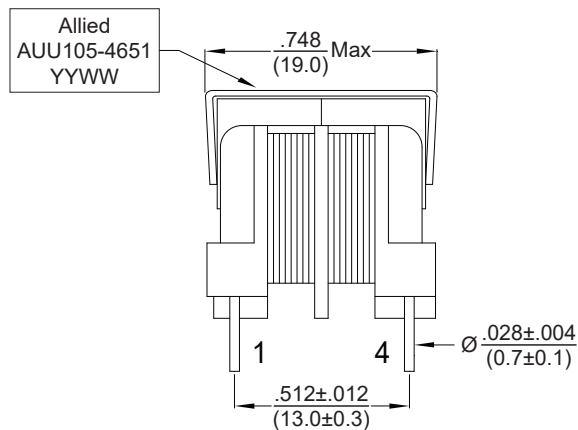
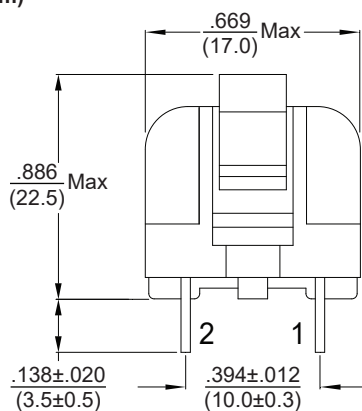


| Electrical Specifications @25°C | | | | |
|---------------------------------|-------------------|----------------|------------------|-----------------------|
| Inductance N1 = N2 | Test Frequency | DCR N1 = N2 | Rated Current | Hi Pot VAC/5mA/60S |
| | | | | Wdg-Wdg |
| 160µH Min | 1KHz, 1.0V | 80mΩ Max | 2.1A | 2000 |

All specifications subject to change without notice.

MECHANICAL

Dimensions: $\frac{\text{inch}}{\text{(mm)}}$



SCHEMATIC

