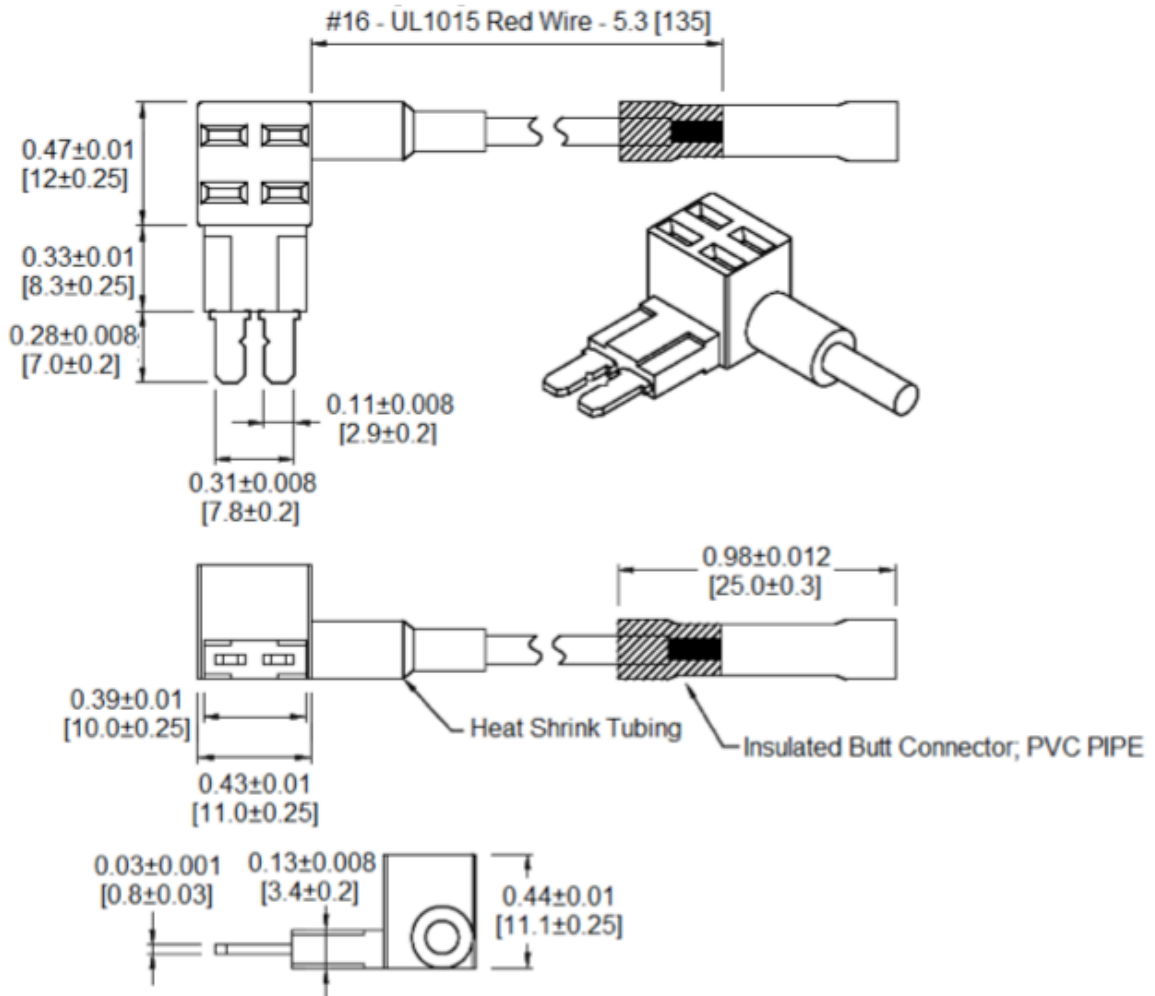


Mechanical Dimensions: Inches [mm]

Tolerances ± 0.012 [0.3] Unless Otherwise Specified



Part Numbers Information

Bulk Part #	Retail Pack #	Pack Size
LPT-08	LPT-08-BP	1

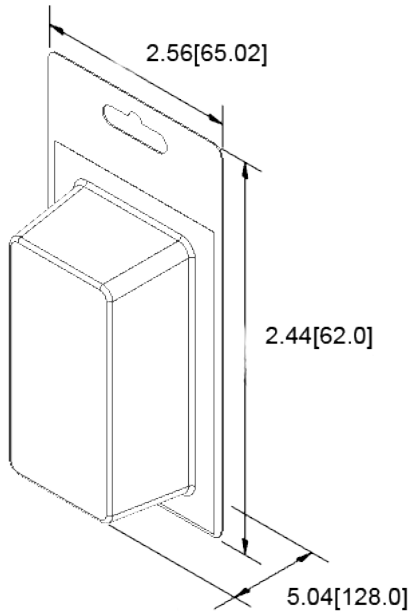
Electrical Specifications

Voltage Rating	58VDC
Max, Current Rating (Primary Circuit)	30A
Max, Current Rating (add-on circuit)	20A
Max, Current Rating (Combined Circuits)	40A

Material Specifications

For Use With ANT and APT (MICRO2 Style) Blade Fuses	
Body Material	Nylon PA66 (UL94V-0)
Terminals Material	Brass, Tin Plated
Wire Type	16 AWG; Red
Connector Type	Butt-Splice Connector

Retail Pack: Inches [mm]



Rev	Date of issue	Revision Notes	Designed	Approved
A	01-05-2024	Initial Drawing	RC	OF