

Type PKA-01
Panel Mount Fuse Holder
1/4" x 1 1/4" (6.3 x 32mm) Fuses
Knob / Screw



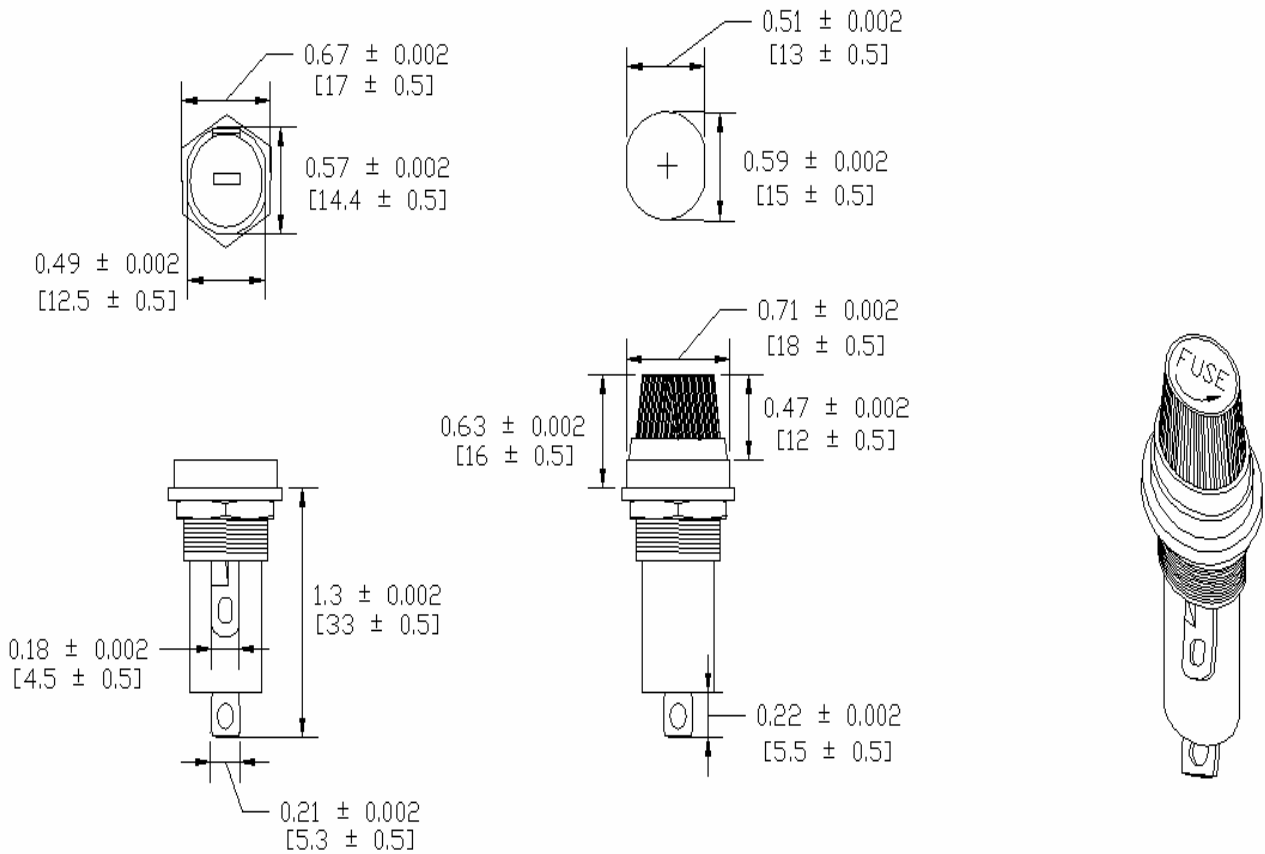
www.optifuse.com (619)-593-5050


Electrical Rating: 10A, 250V AC
Fuse Style: 1/4" x 1 1/4" (6.3 x 32mm) Fuses
Material:

- Frame:** Thermoplastic (UL Flame: 94V-0)
- Terminals:** Nickel-plated copper alloy, straight terminal
- Mounting:** by metal nut with white washer
- Cap:** Knob type, Screw type

Nickel-plated copper alloy insert

Product Dimensions: Inches [mm]



<p>Warning:</p> 	<ul style="list-style-type: none"> -Operation beyond the specified maximum ratings or improper use may result in damage and possible electrical arcing and/or flame. -Avoid contact of Fuse Holder with chemical solvent. Prolonged contact will damage the device performance.
--	---