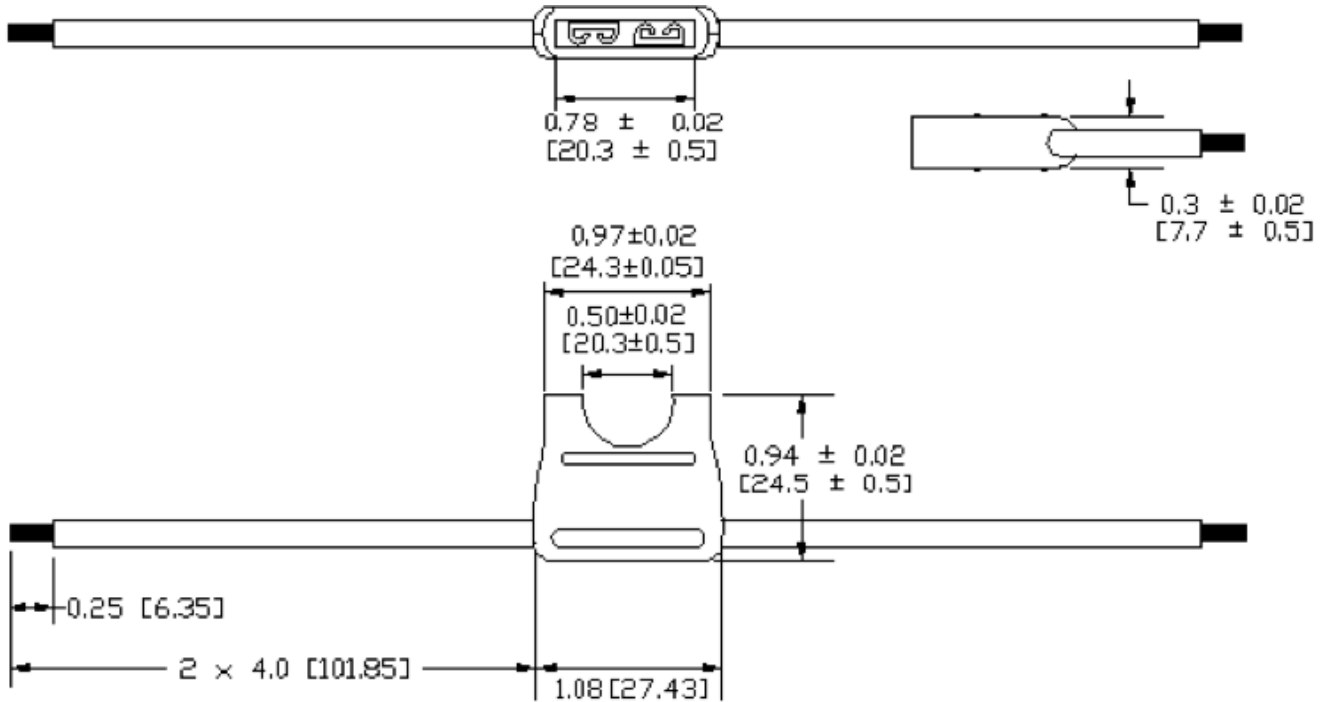


Mechanical Dimensions: Inches [mm]

Tolerances ± 0.012 [0.3] Unless Otherwise Specified



Part Numbers Information

| | | | | | | | |
|---------------|-----------------------|----------|--|----------|--|----------|---------------------------------------|
| LPR-01 | B | - | 12 | - | R | - | BP |
| | BODY COLOR | | WIRE GAUGE | | WIRE COLOR | | PACKAGING |
| | B: Black Y: Yellow | | 12: 12 AWG 14: 14 AWG 16: 16 AWG | | R: Red B: Black (14AWG and 16AWG only) OR: Orange (12AWG only) Y: Yellow (12AWG only) | | Blank: Bulk BP: Blister Pack (1pc) |

| Wire Gauge | Max Amp. |
|------------|----------|
| 12 AWG | 30A |
| 14 AWG | 20A |
| 16 AWG | 15A |

Electrical Specifications

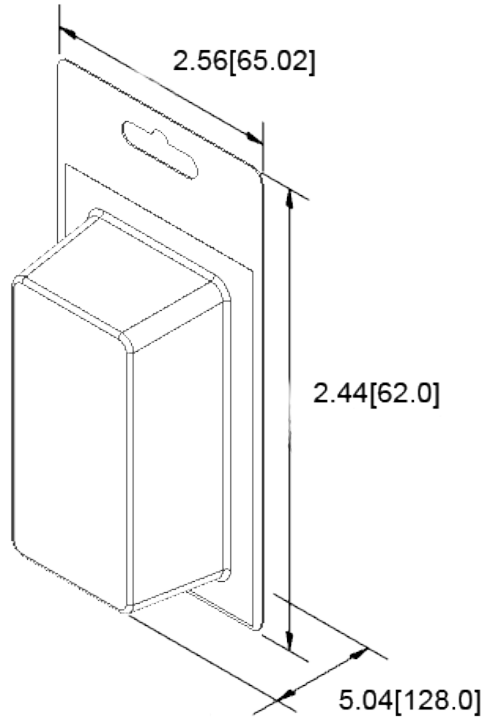
| | |
|------------------------------|-----------------------------|
| Voltage Rating | 32VAC |
| Dielectric Strength | 1500VAC Min for 60s |
| Contact Resistance | 5m Ω Max @ 1A DC |
| Insulation Resistance | 100M Ω Min. @ 500VDC |
| Voltage Drop | 20mV Max |
| Temperature Rise | 50°C Max |

Material Specifications

| | |
|--|---------------|
| For use with APR and ANR Regular (ATO/ATC Style) Blade Fuses | |
| Body Material | PVC (UL94V-0) |
| Contact Material | Brass |
| Wire Length | 4" Each End |
| For custom inquiries please contact the factory | |

Retail Pack: Inches [mm]

Retail Pack #



| Rev | Date of issue | Revision Notes | Designed | Approved |
|-----|---------------|-----------------|----------|----------|
| A | 01-05-2024 | Initial Drawing | RC | OF |