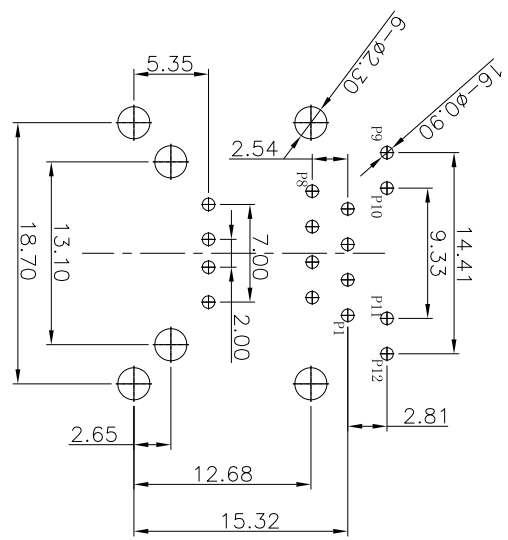
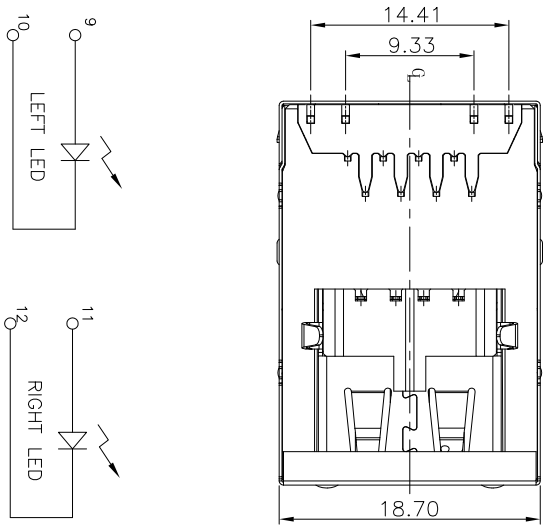
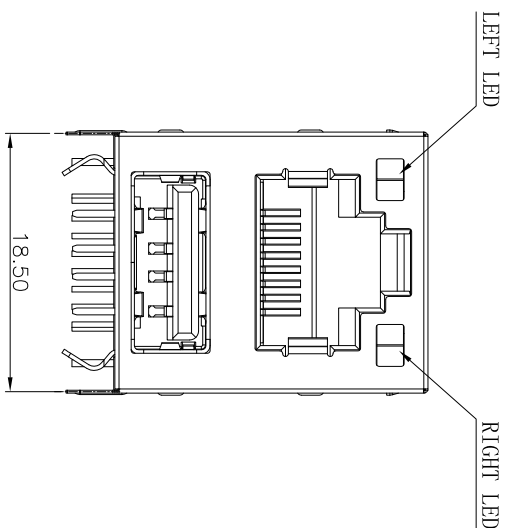
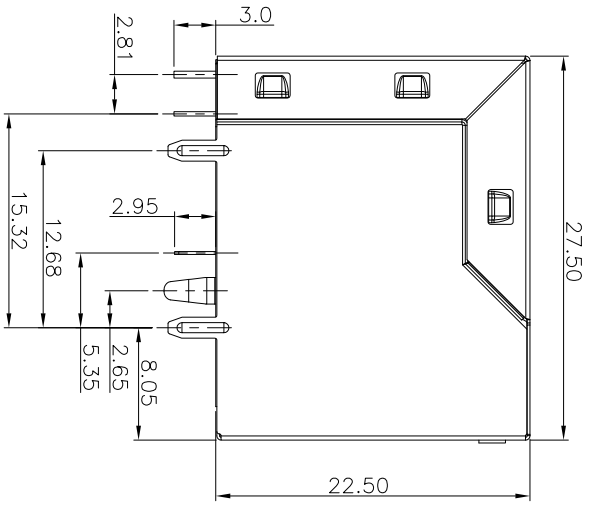
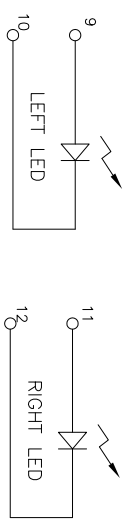


CATEGORY	DESCRIPTION	P/N #
CONNECTOR	RJ45+单层USB2.0 无弹带灯	MU88-BX21-FRXL2

REV.	ECN NO	DESCRIPTION	REVISED	DATE
A01		New Release	ZSH	2018.08.11



RECOMMENDED P.C.B LAYOUT
TOP VIEW (COMPONENT SIDE)



NOTES:

MATERIAL

- 1 HOUSING MATERIAL :PBT Black
- 2 CONTACT MATERIAL :PHOSPHOR BRONZE
- 3 SHELL MATERIAL :BRASS
- 4 PLATING :GOLD PLATING OVER NICKEL.

ELECTRICAL:

- 1 VOLTAGE RATING :125 VAC RMS.
- 2 CURRENT RATING :15 AMP.
- 3 CONTACT RESISTANCE :30 MILLIOHMS MAX.
- 4 INSULATION RESISTANCE :500 MEGOHMS MIN @ 500V DC.
- 5 DIELECTRIC WITHSTANDING RESISTANCE :500V AC RMS 50HZ. MIN.

MECHANICAL:

- 1 DURABILITY :750 CYCLES MIN.
- 2 PCB RETENTION PRE-SOLDER :1 LB MIN.

ENVIRONMENTAL:

- 1 STORAGE :-40°~+85°

MU88-BX21-FRXL2

Material & Plating			
X	Terminal Plating	X	LED-L LED-R
0	Au 1u" Plating	1	Green Yellow
1	Au 3u" Plating	2	Yellow Green
2	Au 6u" Plating		
3	Au 15u" Plating		
4	Au 30u" Plating		

 东莞市合陵电子有限公司
Dongguan Heling Electronic Co., LTD

UNLESS OTHERWISE SPECIFIED TOLERANCES	SCALE:1/1	UNIT: mm	DWG.NO:
DECIMALS: ANGLES:	SIZE: A3	PAGE:1 OF 1	REV:A01
X :±0.5 X :±2	APPROVED BY	CHECKED BY	PREPARED BY
XX :±0.35 XX :±1*	TNOY	BILL	ZSH
XXX :±0.25	CUSTOMER COPY		

