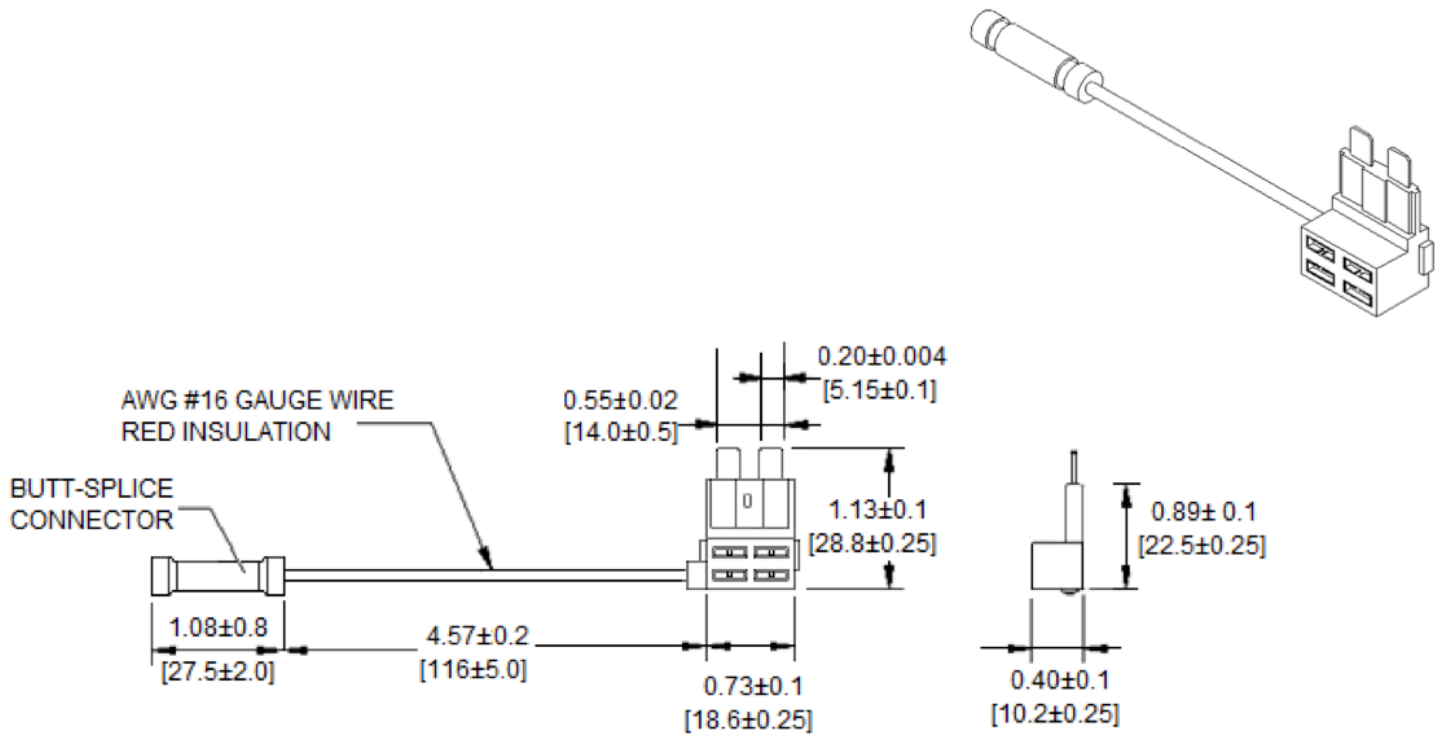


**Mechanical Dimensions: Inches [mm]**

Tolerances  $\pm 0.012$  [0.3] Unless Otherwise Specified



**Part Numbers Information**

Bulk Part #	Retail Pack #	Pack Size
LPR-08	LPR-08-BP	1

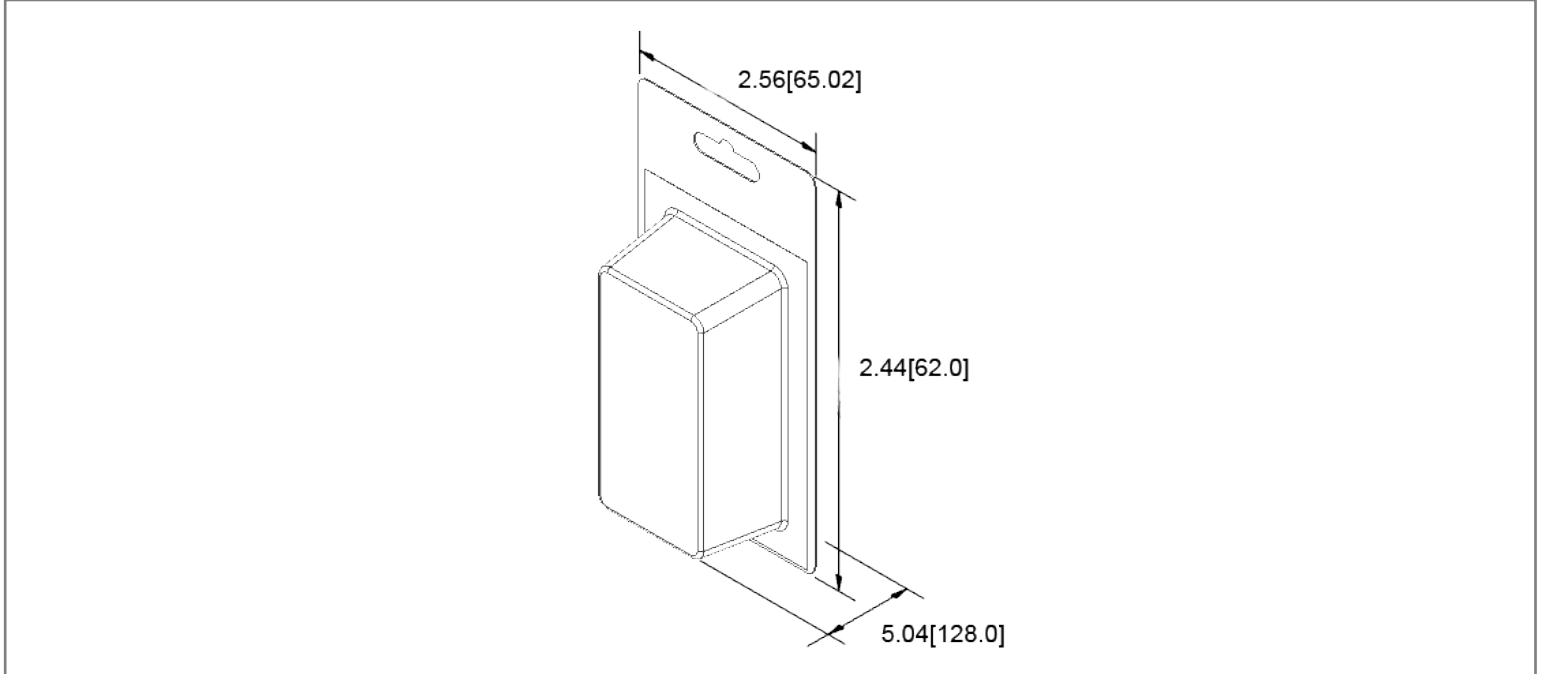
**Electrical Specifications**

Voltage Rating	32VDC
Current Rating (Combined Circuits)	30A
Current Rating (Primary Circuit)	25A
Current Rating (Auxiliary Circuit)	15A

**Material Specifications**

For Use With ANR and APR Regular(ATO/ATC Style) Blade Fuses	
Body Material	PVC
Wire Type	16 AWG; Red
Connector Type	Butt-Splice Connector

Retail Pack: Inches [mm]



Rev	Date of issue	Revision Notes	Designed	Approved
A	01-05-2024	Initial Drawing	RC	OF