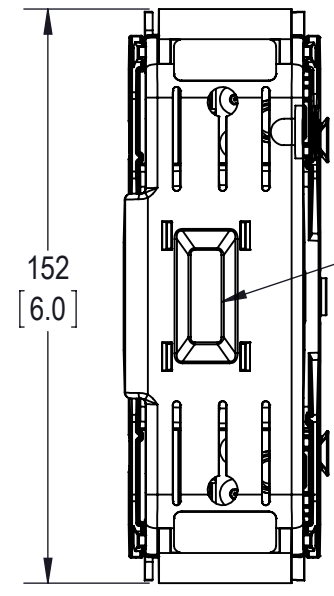
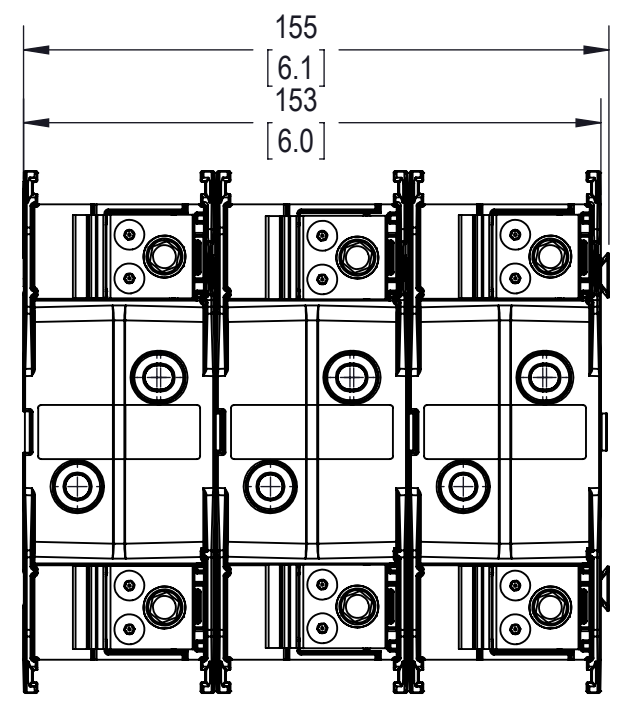
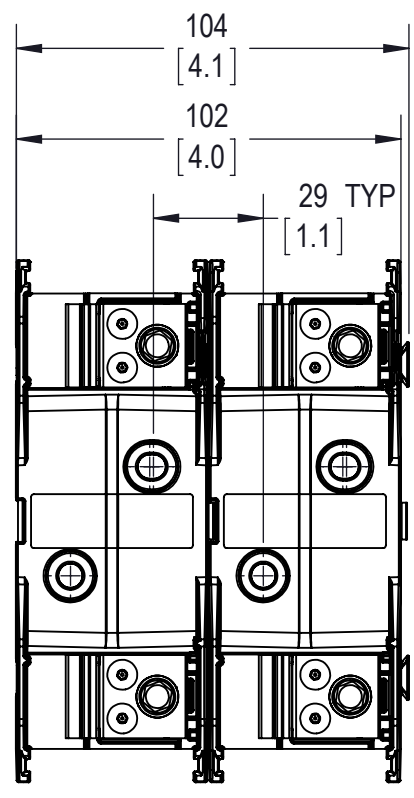
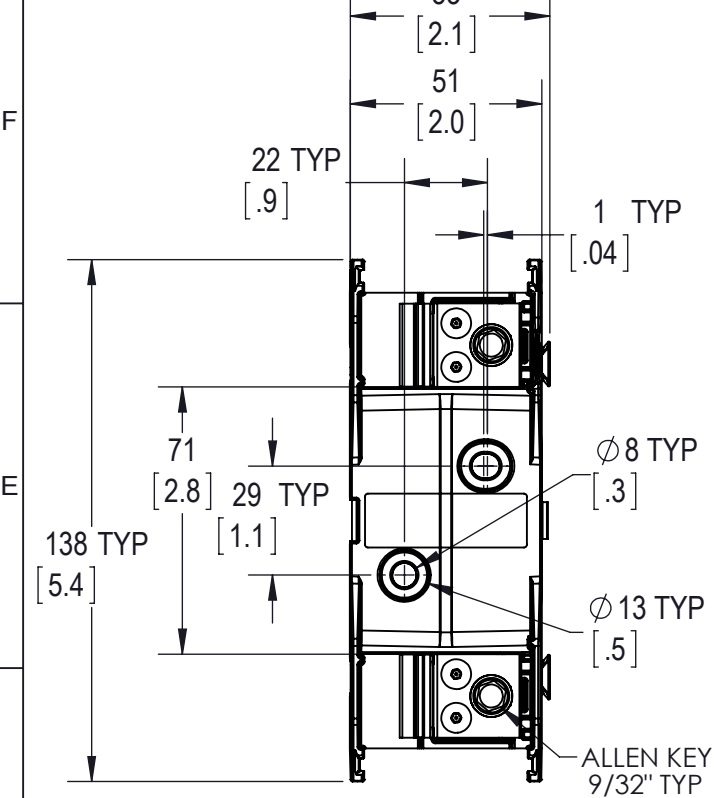
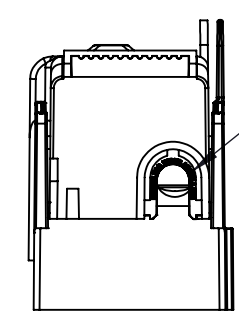
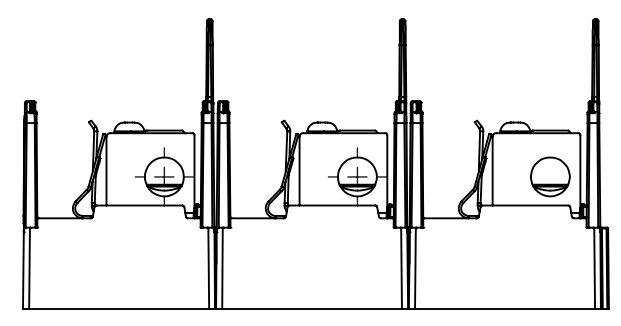
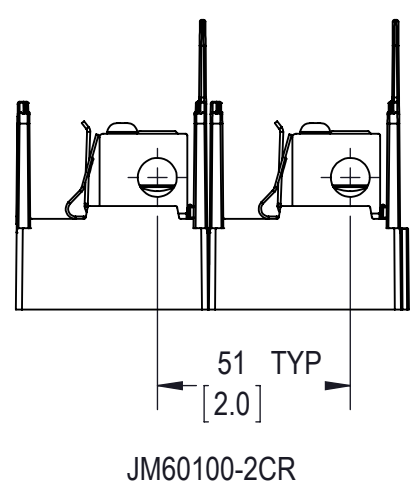
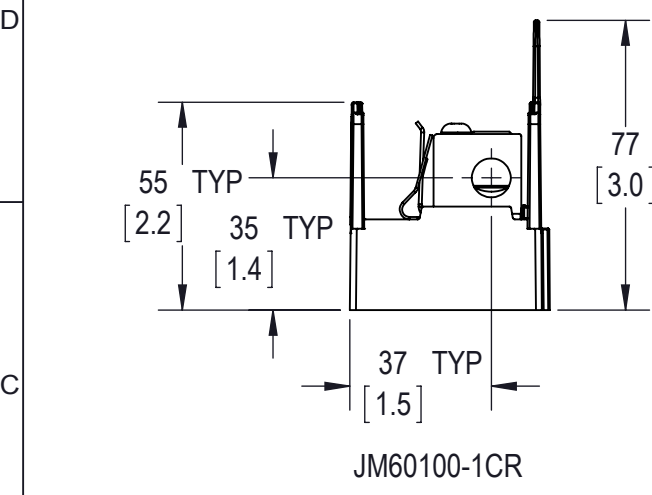


REVISIONS					
REV	ZONE	DESCRIPTION	DATE	ECN	BY
A		INITIAL RELEASE	1/8/14		TCB

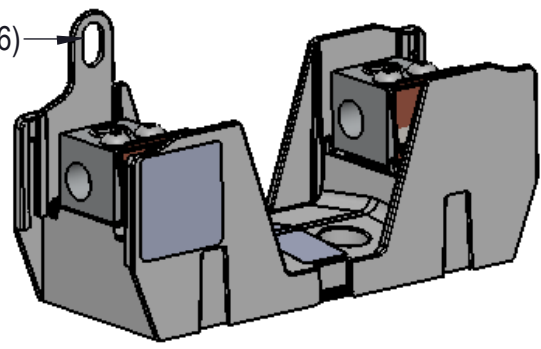


CVR-J-60100-M (NON INDICATING)  
CVRI-J-60100-M (WITH INDICATION)

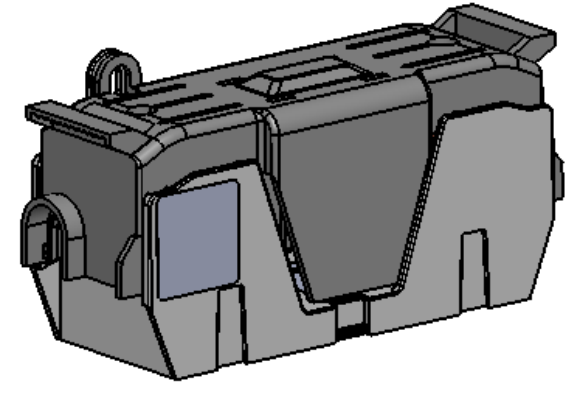


REMOVE FOR WIRE ABOVE 6 AWG

LOCKOUT-TAGOUT FEATURE (SEE NOTE 6)



3D VIEW FOR JM60100-1CR  
SCALE = NONE



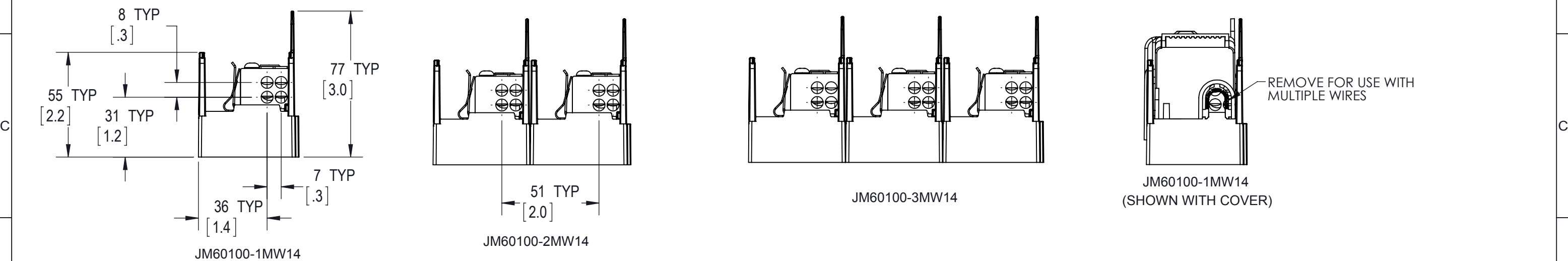
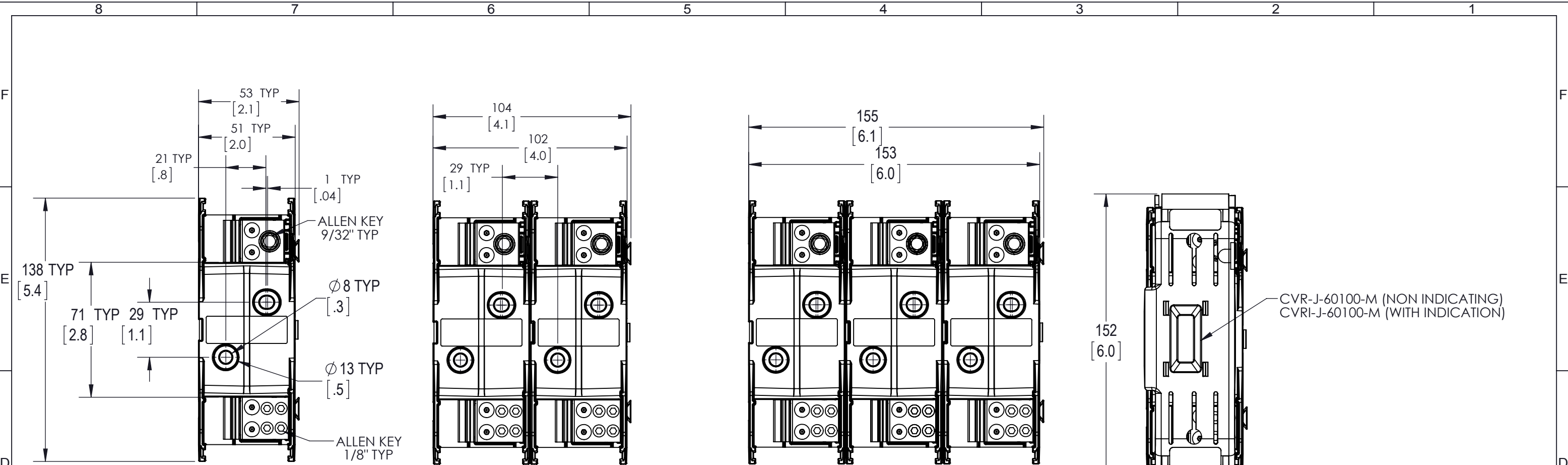
3D VIEW FOR JM60100-1CR  
WITH COVER  
SCALE = NONE

CUSTOMER PRINT

NOTES:

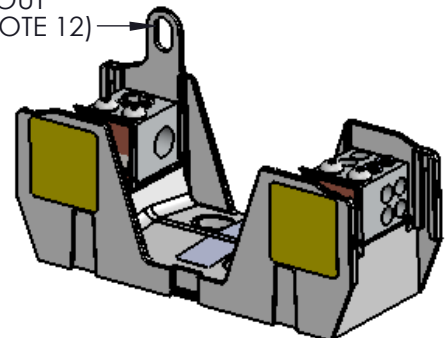
- VOLTAGE RATING: 600V
- AMPERAGE: 100A
- WITHSTAND RATING: 200kA
- WIRE: Cu/Al 75°C/90°C ONLY
- WIRE RANGE: (1) 1/0 - 14 AWG Cu  
(1) 1/0 - 12 AWG Al
- USE 4mm DIA. CABLE LOCK OR 1/4" DIA. HASP PADLOCK.

MODEL SOURCE DATA JM60100-XCR	MODEL VERSION	GENERAL DRAWING PRACTICES IN ACCORDANCE WITH ASME - Y14.100-2004 DIMENSIONS AND TOLERANCES IN ACCORDANCE WITH ASME - Y14.5M-1994	APPROVALS	DATE	
THIS DRAWING IS AN UNCONTROLLED COPY IF PRINTED OR SENT ELECTRONICALLY. DO NOT SCALE DRAWING		UNLESS OTHERWISE SPECIFIED DIMENSIONS ARE IN MILLIMETERS TOLERANCES TO BE ONE PLACE X.X = ±0.3mm TWO PLACE X.X X = ±0.13mm ALL ANGLES X.X = ±1°	PRODUCT MANAGER	--/------	
EATON CORPORATION - CONFIDENTIAL AND PROPRIETARY NOTICE TO PERSONS RECEIVING THIS DOCUMENT AND/OR TECHNICAL INFORMATION			ENGINEER	--/------	
THIS DOCUMENT, INCLUDING THE DRAWING AND INFORMATION CONTAINED THEREON, IS CONFIDENTIAL AND IS THE EXCLUSIVE PROPERTY OF EATON CORPORATION AND IS MERELY ON LOAN AND SUBJECT TO RECALL BY EATON AT ANY TIME. BY TAKING POSSESSION OF THE DOCUMENT, THE RECIPIENT ACKNOWLEDGES AND AGREES THAT THIS DOCUMENT CANNOT BE USED IN ANY MANNER ADVERSE TO THE INTERESTS OF EATON AND THAT NO PORTION OF THIS DOCUMENT MAY BE COPIED OR OTHERWISE REPRODUCED WITHOUT THE PRIOR WRITTEN CONSENT OF EATON. IN THE CASE OF CONFLICTING CONTRACTUAL PROVISIONS, THIS NOTICE SHALL GOVERN THE STATUS OF THIS DOCUMENT.		SPECIAL CHARACTERISTIC	◇ (0)	QUALITY	
© 2012 Eaton Corporation. All Rights Reserved.		SIGNIFICANT CHARACTERISTIC	△ (0)	MATERIAL	--/------
		THIRD ANGLE PROJECTION	PRINT N/A		TITLE
			SIZE A3		600V / 100A CLASS J FUSE BLOCK
			DWG NO. JM60100-SERIES-CP		REV A
			SCALE: 1:2		SHEET 1 OF 3

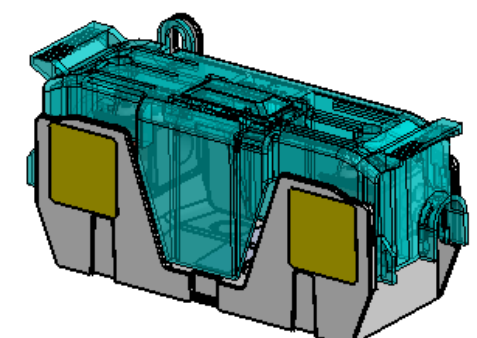


- NOTES:
- VOLTAGE RATING: 600V
  - AMPERAGE: 100A
  - WITHSTAND RATING: 200kA
  - WIRE Cu/Al 75°C/90°C
  - WIRE RANGE: LINESIDE (1) 1/0 - 14 AWG Cu/Al  
LOADSIDE (4) 4 AWG - 14 AWG Cu  
(4) 4 AWG - 8 AWG Al  
(8) 10 AWG - 14 AWG Cu
  - USE 4mm DIA. CABLE LOCK OR 1/4" DIA. HASP PADLOCK.
  - SEE PAGE 1 FOR LINESIDE DIMENSIONS.

LOCKOUT-TAGOUT FEATURE (SEE NOTE 12)



3D VIEW FOR JM60100-1MW14  
SCALE = NONE



3D VIEW FOR JM60100-1MW14  
(SHOWN WITH COVER)  
SCALE = NONE

CUSTOMER PRINT

**Bussmann**  
by **EAT-N**

TITLE			REV		
600V / 100A CLASS J FUSE BLOCK			A		
SIZE	DWG NO.	REV			
A3	JM60100-SERIES-CP				
SCALE:	1:2	SHEET		2 OF 3	

8 7 6 5 4 3 2 1

F

E

D

C

B

A

F

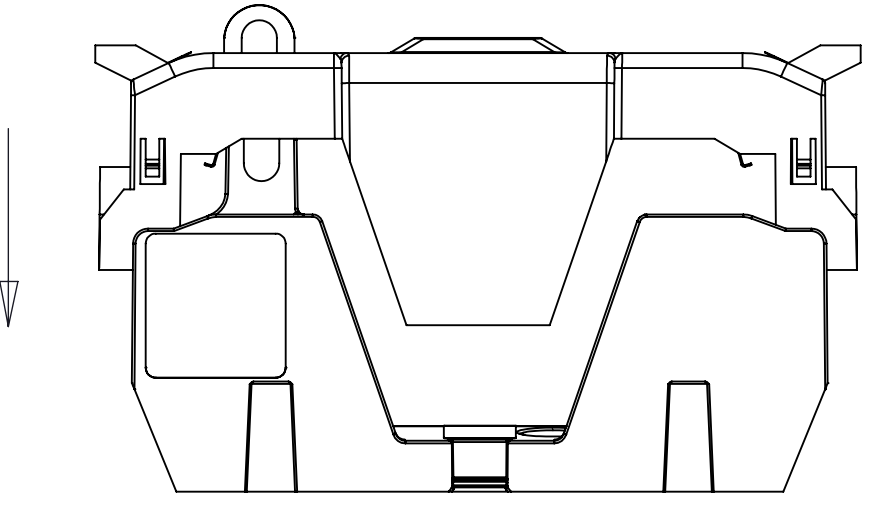
E

D

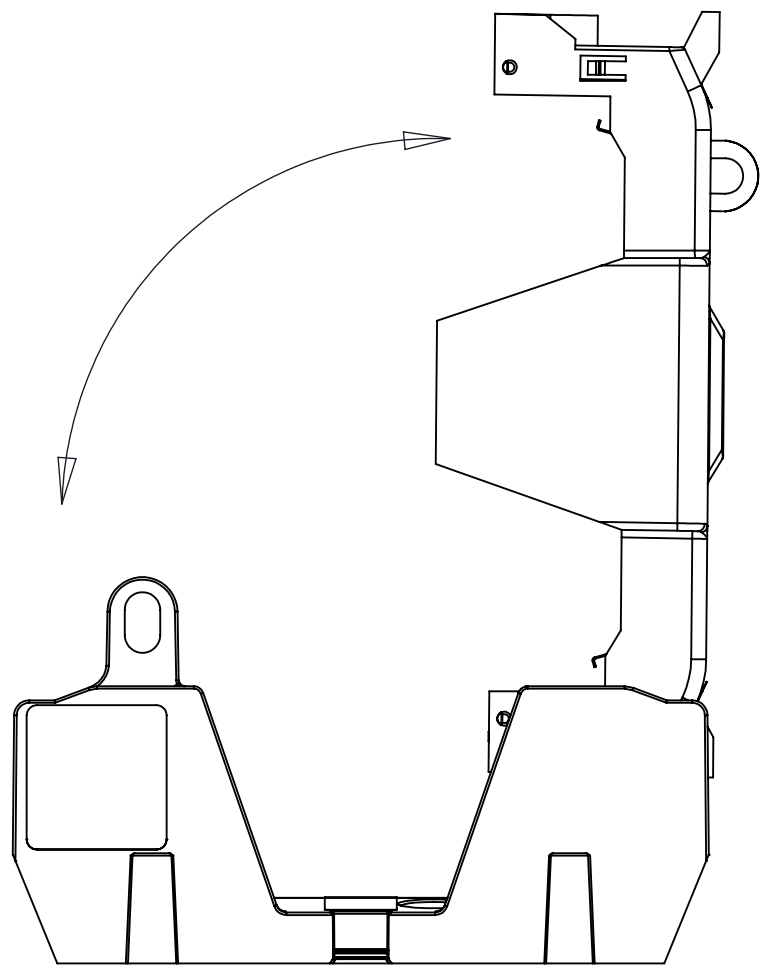
C

B

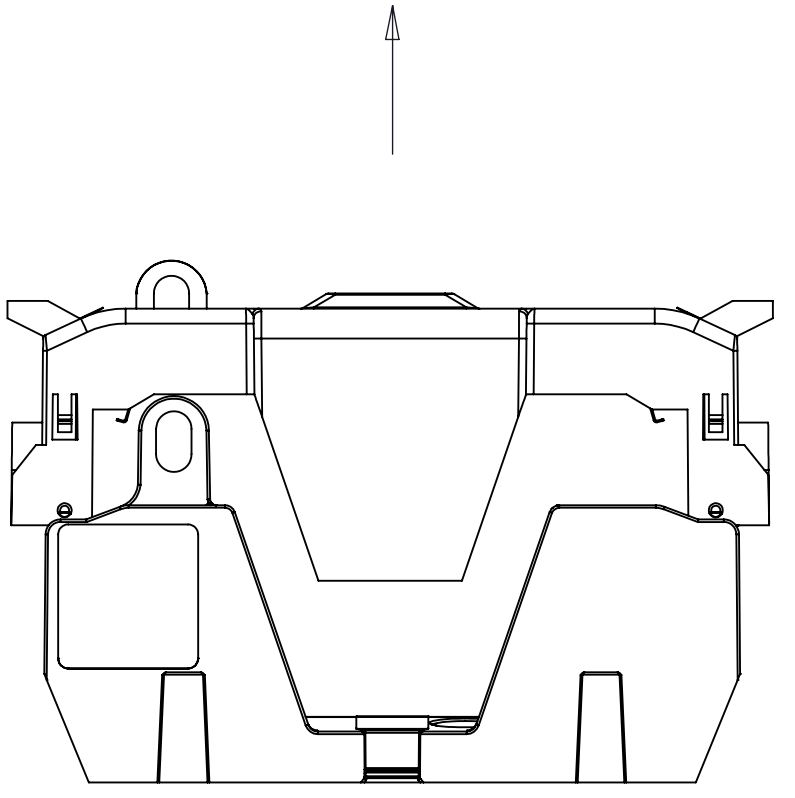
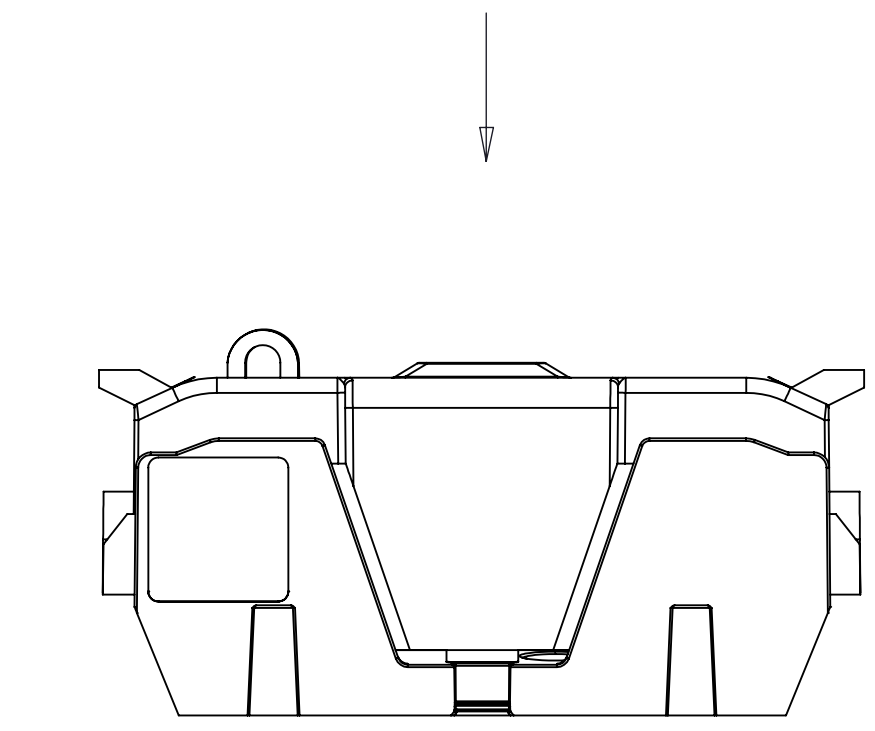
A



**PUSH DOWN**



**LIFT UP.  
THEN ROTATE COVER.**



**LIFT UP.**

**Bussmann**  
by **E.T.N.**

TITLE: 600V / 100A CLASS J FUSE BLOCK

SIZE: <b>A3</b>	DWG NO.: <b>JM60100-SERIES-CP</b>	REV: <b>--</b>
SCALE: 1:2	SHEET 3 OF 3	

8 7 6 5 4 3 2 1

S:\A3\_BUSSMAN\_GEPN\_REV\_A