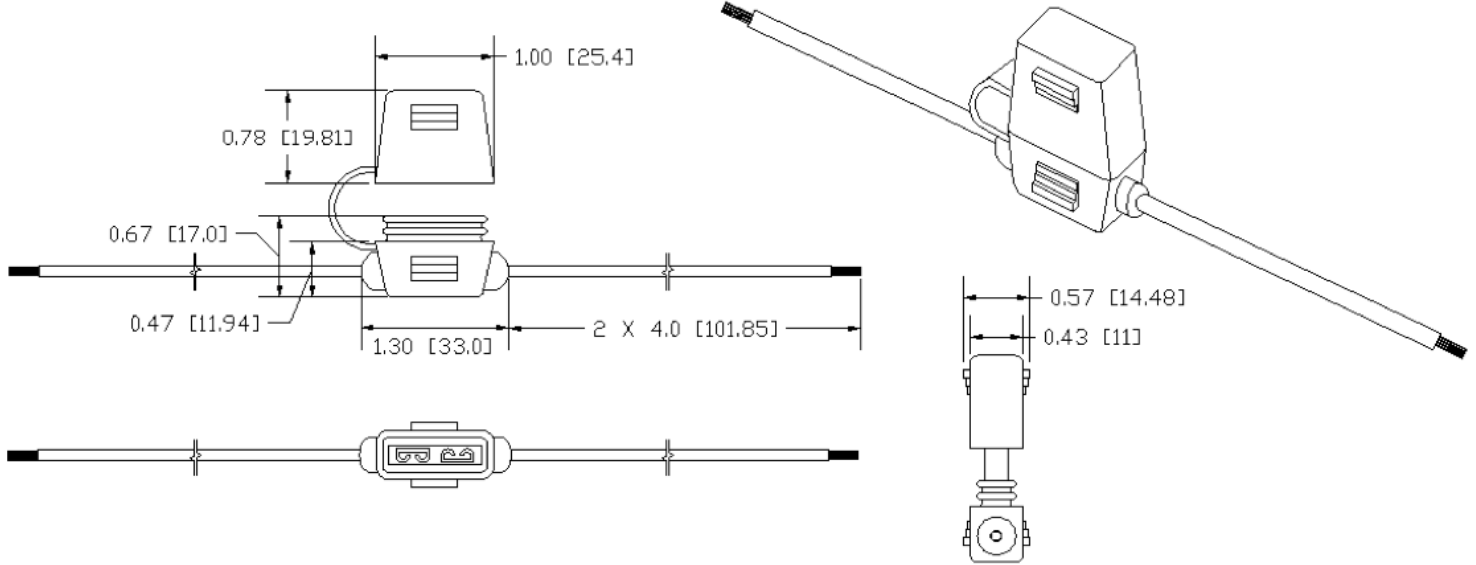


Mechanical Dimensions: Inches [mm]

Tolerances ± 0.012 [0.3] Unless Otherwise Specified



Part Numbers Information

LPR - 02	B	12	R	BP
BODY COLOR	WIRE GAUGE	WIRE COLOR	PACKAGING	
B: Black	12: 12AWG 14: 14AWG 16: 16AWG 18: 18AWG	R: Red B: Black OR: Orange Y: Yellow	Blank: Bulk BP: Blister Pack (1pc)	

Wire Gauge	Max Amp.
12 AWG	30A
14 AWG	20A
16 AWG	15A
18 AWG	10A

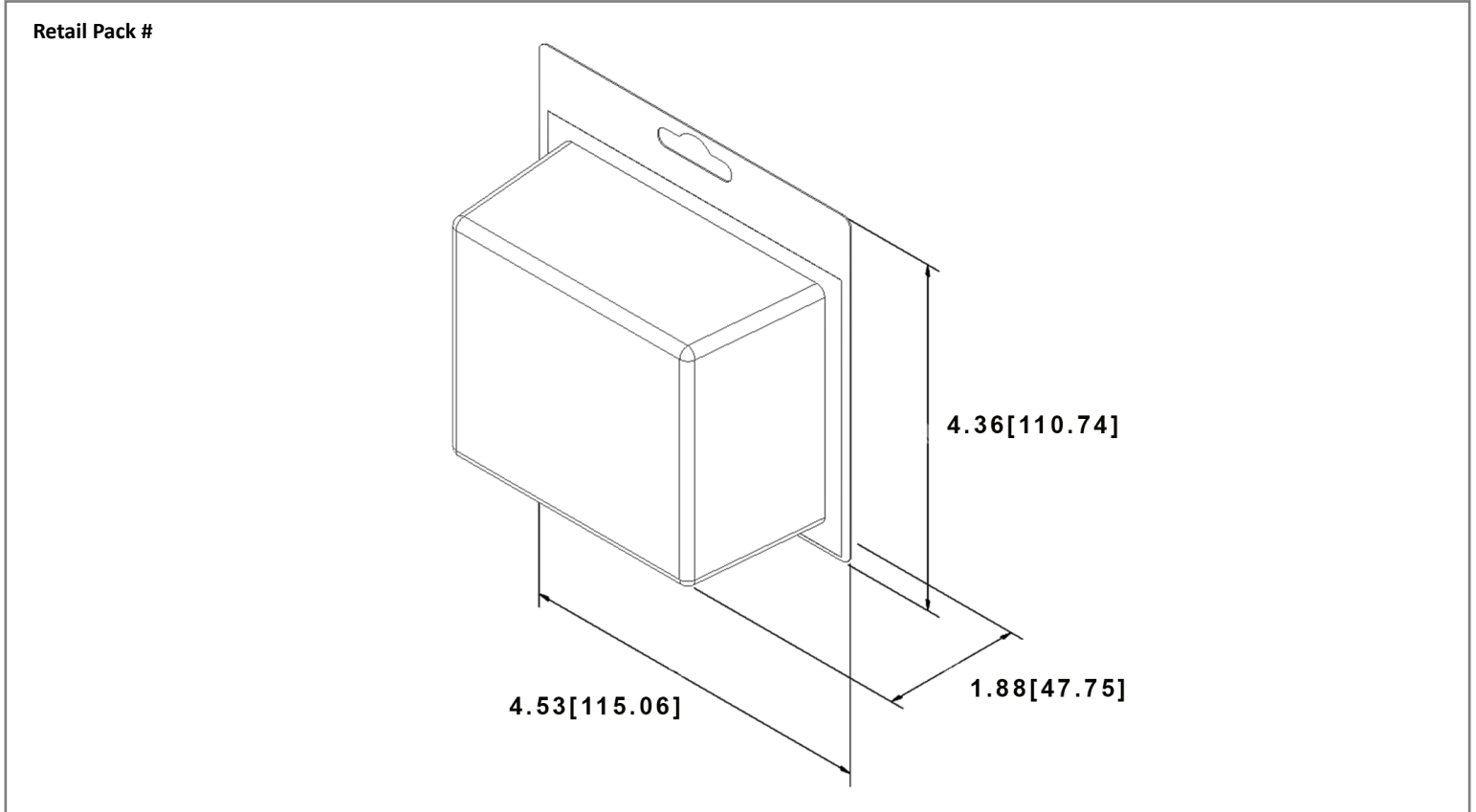
Electrical Specifications

Voltage Rating	58VDC
Temperature Rating	-40°C ~85°C

Material Specifications

For use with APR and ANR Regular (ATO/ATC Style) Blade Fuses	
Body Material	PVC (UL94V-0)
Contact Material	Brass
Wire Length	4" Each End
Wire Type	UL 1015 rated to FT1 (VW1) - Stranded
Ingress Protection	IP67
For custom inquiries please contact the factory	

Retail Pack: Inches [mm]



Rev	Date of issue	Revision Notes	Designed	Approved
A	01-05-2024	Initial Drawing	RC	OF