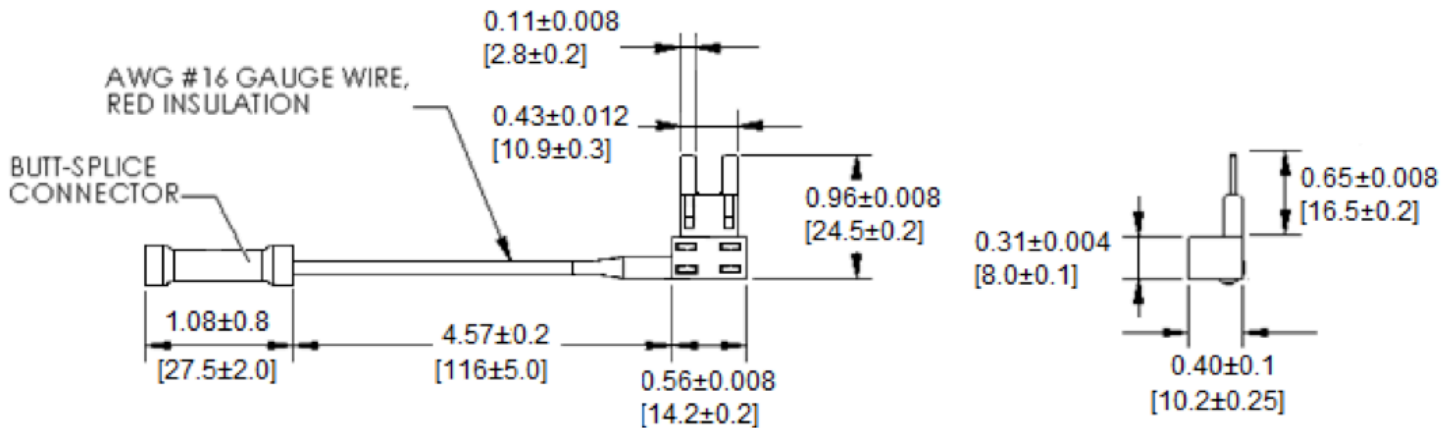


Mechanical Dimensions: Inches [mm]

Tolerances ± 0.012 [0.3] Unless Otherwise Specified



Part Numbers Information

Bulk Part #	Retail Pack #	Pack Size
LPM-08	LPM-08-BP	1

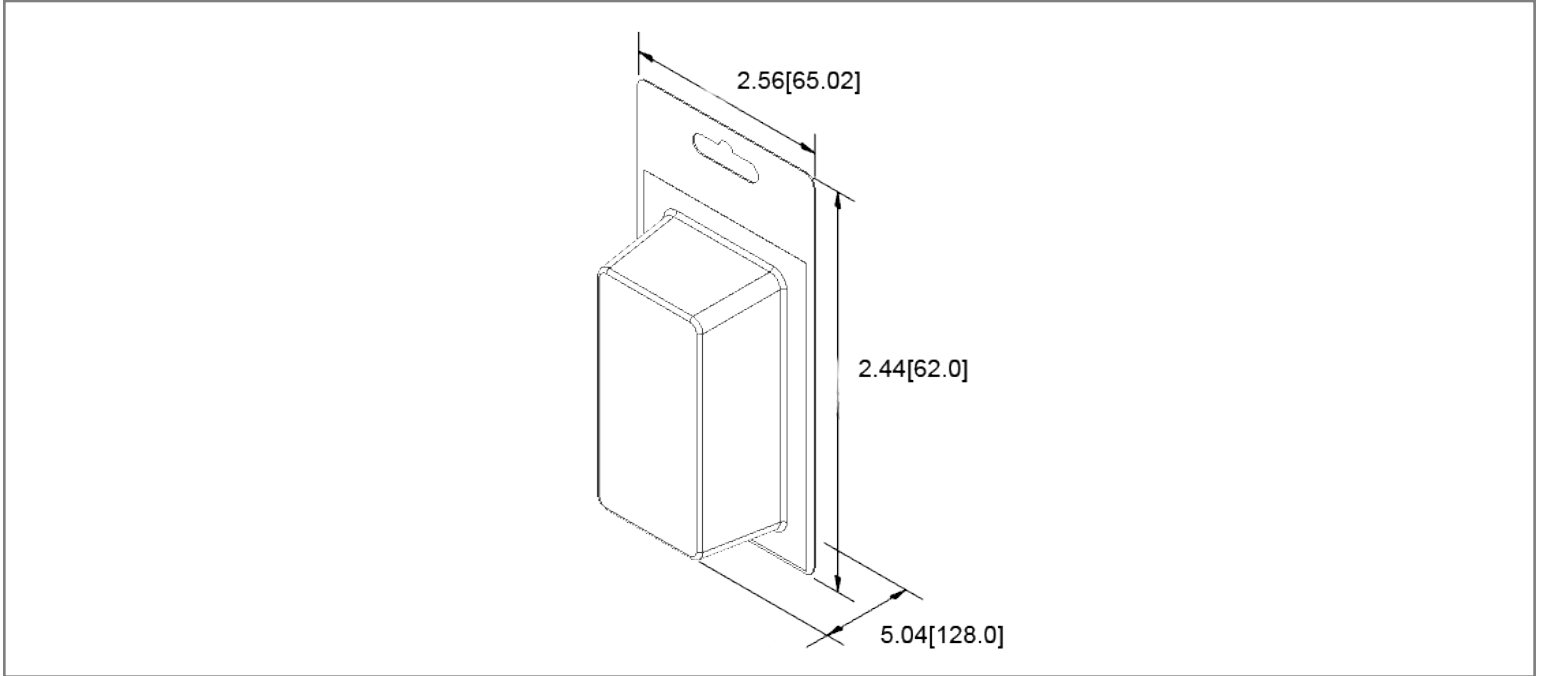
Electrical Specifications

Voltage Rating	58VDC
Current Rating (Combined Circuits)	30A
Current Rating (Primary Circuit)	25A
Current Rating (Auxiliary Circuit)	15A

Material Specifications

For Use With ANM and APM (Miniature) Blade Fuses	
Body Material	Thermoplastic
Wire Type	16 AWG; UL 1015 105°C; Red
Connector Type	Butt-Splice Connector

Retail Pack: Inches [mm]



Rev	Date of issue	Revision Notes	Designed	Approved
A	01-05-2024	Initial Drawing	RC	OF