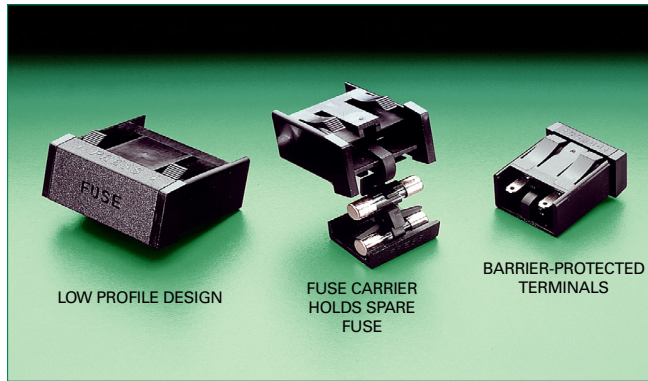




286/346 Series Flip-Top Shock-Safe Panel Mount Fuseholders

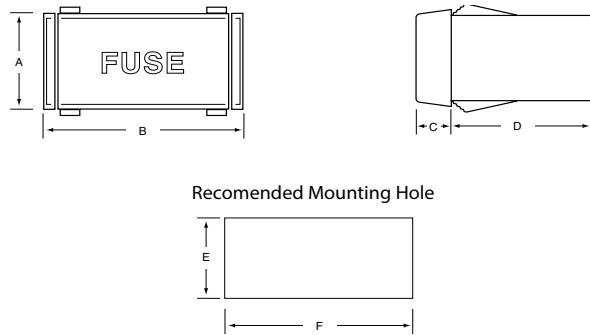


Agency Approvals

| Agency | Agency File/Certificate Number |
|---|--------------------------------|
|  | E14721 |
|  | 7316 |

Refer to [Fuseology](#) for information on proper fuseholder re-rating.

Dimensions



Product Characteristics

| Compatible Fuses | For 3AG, 3AB, 5x20mm, or 2AG Fuses |
|----------------------------|---|
| Features | <ul style="list-style-type: none"> Shock-Safe design eliminates any possibility of electrical shock, per IEC Standards IEC 60127-6. Fuse carrier holds spare fuse for fast, easy fuse replacement and convenient servicing. Low profile design |
| Electrical | Rating: See ordering information table. Insulation Resistance: 10,000 megohm minimum at 500 VDC. Contact Resistance: Less than 0.01 ohm. |
| Mounting | Snap-in mounting. No hardware required. Panel thickness range: .032" through .125" |
| Molded Parts | Thermoplastic (UL94 V-0) black standard (other colors available as special). |
| Fuse Carrier | Spring-loaded. Unlocks with a press of the finger. Locks into place to prevent accidental circuit interruption. Permanently attached to fuseholder body to prevent loss. Extracts fuse from live terminals. Holds spare fuse. |
| Terminals | Copper alloy, tin plate. Accepts quick-connect or solder. |
| Ambient Temperature | -40 °C to +85 °C. |
| Vibration | 10-55-10 Hz at .06" double amplitude (Method 201, MILSTD-202). |

Additional Information



Datasheet
286 Series



Resources
286 Series



Samples
286 Series



Datasheet
346 Series



Resources
346 Series



Samples
346 Series

Ordering Information

| Catalog Number | Fuse Size | Q.C. Terminals | Max. Amps At 250V. | A | B | C | D | E +.005"/-.000" | F +.005"/-.000" | Packaging |
|------------------|-----------|----------------------------------|--------------------|------|-------|------|-------|--------------------|--------------------|-------------------|
| 03460877H | 3AG/3AB | .250" x .032" .072" Dia. Hole | 15 | .75" | 1.5" | .27" | 1.04" | .688" | 1.445" | Bulk (100 Pieces) |
| 03460877Z | | | | | | | | | | Bulk (1 Piece) |
| 02860677H | 5 x 20mm | .187" x .032" .055" Dia. Hole | 10 | .70" | 1.03" | .26" | .94" | .625" | .953" | Bulk (100 Pieces) |
| 02860677Z | | | | | | | | | | Bulk (1 Piece) |
| 02860377H | 2AG | .110" x .020" .048" Dia. Hole | 10 | .61" | .85" | .20" | .87" | .550" | .775" | Bulk (100 Pieces) |
| 02860377Z | | | | | | | | | | Bulk (1 Piece) |

Disclaimer Notice - Information furnished is believed to be accurate and reliable. However, users should independently evaluate the suitability of and test each product selected for their own applications. Littelfuse products are not designed for, and may not be used in, all applications. Read complete Disclaimer Notice at: www.littelfuse.com/disclaimer-electronics.