

Type PMC-KS-01-SOS (formerly PKC-01)
Panel Mount Fuse Holder
5 x 20 mm Fuses
Knob / Screw



www.optifuse.com (619) 593-5050

Electrical Rating: 10A, 250V AC

Fuse Style: 5 x 20mm

Material:

Frame and Cap: Phenolic (UL flame: 94V-2)

Terminals: Nickel-plated brass

Cap: Knob type, Screw type

Mounting: by metal nut with white washer

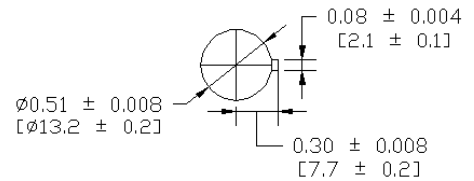
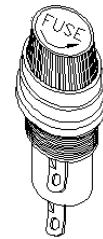
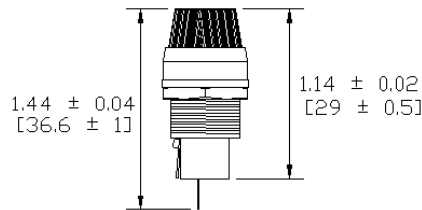
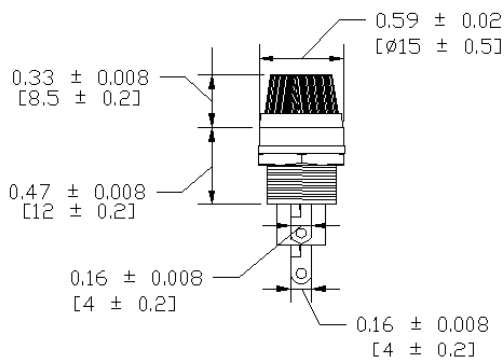
Terminal: Solder 4.0mm / 0.156"

Panel Thickness: 4.5mm MAX

Agency Standards and Listings:



Product Dimensions: Inches [mm]



Mounting Hole

Warning:



- Operation beyond the specified maximum ratings or improper use may result in damage and possible electrical arcing and/or flame.
- Fuse Holders are not intended for circuit disconnect. All power should be disconnected before removing fuse.
- Avoid contact of Fuse Holder with chemical solvent. Prolonged contact may damage the device performance.