

Octal Line Receiver

FEATURES

- Meets EIA 232E/423A/422A and CCITT V.10,V.11, V.28, X.26, X.27
- Single +5V Supply--TTL Compatible Outputs
- Differential Inputs Withstand $\pm 25V$
- Low Open Circuit Voltage for Improved Failsafe Characteristic
- Reduced Supply Current--35 mA Max
- Input Noise Filter
- Internal Hysteresis

DESCRIPTION

The UC5180C is an octal line receiver designed to meet a wide range of digital communications requirements as outlined in EIA standards EIA232E, EIA423A, EIA422A, and CCITT V.10, V.11, V.28, X.26, and X.27. The UC5180C includes an input noise filter and is intended for applications employing data rates up to 200 KBPS. A failsafe function allows these devices to "fail" to a known state under a wide variety of fault conditions at the inputs.

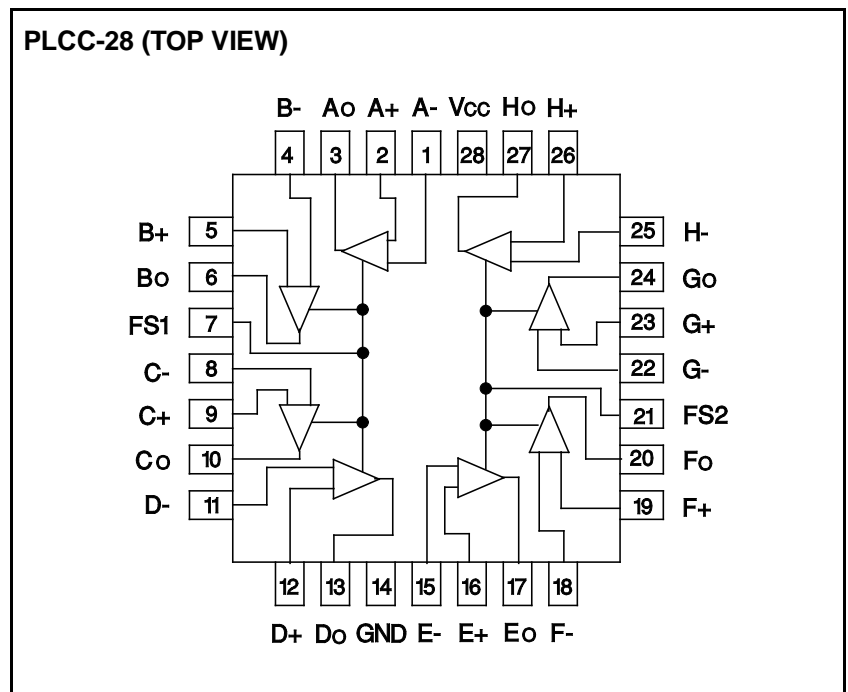
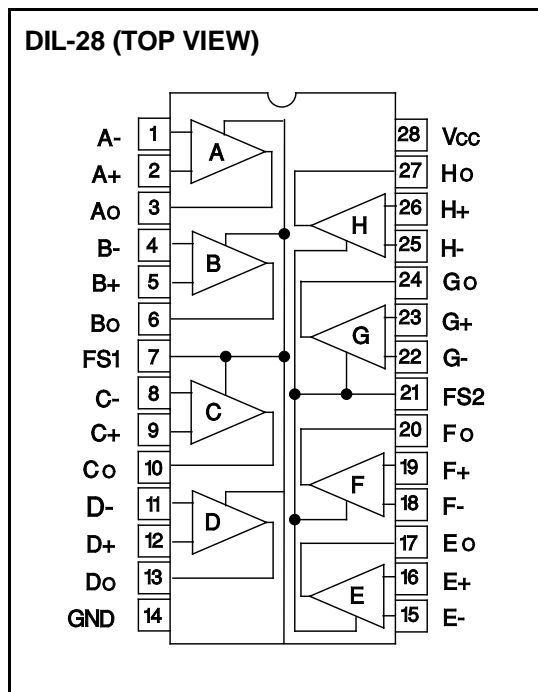
ABSOLUTE MAXIMUM RATINGS (Note 1)

Supply Voltage, Vcc	7V
Output Sink Current	50 mA
Output Short Circuit Time	1 Sec
Common Mode Input Range	15V
Differential Input Range	25V
Failsafe Voltage	-0.3 to Vcc
PLCC Power Dissipation, TA = 25°C (Note 2)	1000 mW
DIP Power Dissipation, TA = 25°C (Note 2)	1200 mW
Storage Temperature Range	-65°C to +150°C
Lead Temperature (Soldering, 10 Seconds)	-300°C

Note 1: All voltages are with respect to ground, pin 14. Currents are positive into, negative out of the specified terminal

Note 2: Consult Packaging Section of Databook for thermal limitations and considerations of package.

CONNECTION DIAGRAMS



DC ELECTRICAL CHARACTERISTICS: Unless otherwise stated these specifications apply for $T_A = 0^\circ\text{C}$ to $+70^\circ\text{C}$, $V_{CC} = 5V \pm 5\%$, Input Common Mode Range $\pm 7V$, $T_A = T_J$

PARAMETERS	SYMBOL	TEST CONDITIONS	UC5180C		UNITS	
			MIN	MAX		
DC Input Resistance	R_{IN}	$3V \leq V_{IN} \leq 25V$	3	7	$k\Omega$	
Failsafe Output Voltage	V_{OFS}	Inputs Open or Shorted Together, or One Input Open and One Grounded	$0 \leq I_{OUT} \leq 8mA$, $V_{FAILSAFE} = 0V$		0.45	V
			$0 \geq I_{OUT} \geq -400\mu A$, $V_{FAILSAFE} = V_{CC}$	2.7		
Differential Input High Threshold	V_{TH}	$V_{OUT} = 2.7V$, $I_{OUT} = 440\mu A$ (See Figure 1)	$R_s = 0$ (Note 2)	50	200	mV
			$R_s = 500$ (Note 2)		400	
Differential Input Low Threshold	V_{TL}	$V_{OUT} = 0.45V$, $I_{OUT} = 440\mu A$ (See Figure 1)	$R_s = 0$ (Note 2)	-200	-50	mV
			$R_s = 500$ (Note 2)	-400		
Hysteresis	V_H	$F_s = 0V$ or V_{CC} (See Figure 1)	50	140	mV	
Open Circuit Input Voltage	V_{ICC}			75	mV	
Input Capacitance	C_i			20	pF	
High Level Output Voltage	V_{CH}	$V_{ID} = 1V$, $I_{OUT} = -440\mu A$	2.7		V	
Low Level Output Voltage	V_{OL}	$V_{ID} = -1V$ (Note 3)	$I_{OUT} = 4mA$		0.4	V
			$I_{OUT} = 8mA$		0.45	
Short Circuit Output Current	I_{OS}	Note 4	20	100	mA	
Supply Current	I_{CC}	$4.75V \leq V_{CC} \leq 5.25V$		35	mA	
Input Current	I_{IN}	Other Inputs Grounded	$V_{IN} = +10V$		3.25	mA
			$V_{IN} = -10V$	-3.25		

Note 2: R_s is a resistor in series with each input.

Note 3: Measured after 100ms warm up (at 0°C)

Note 4: Only 1 output may be shorted at one time and then only for a maximum of 1 sec.

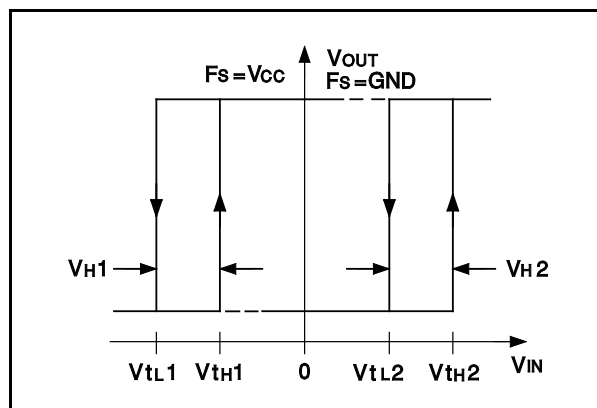


Figure 1. V_{tL} , V_{tH} , V_H Definition

AC ELECTRICAL CHARACTERISTICS: $V_{CC} = 5V \pm 5\%$, $T_A = 0^\circ\text{C}$ to $+70^\circ\text{C}$, Figure 2, $T_A = T_J$.

PARAMETERS	SYMBOL	TEST CONDITIONS	UC5180C		UNITS
			MIN	MAX	
Propagation Delay - Low to High	t_{PLH}	$C_L = 50pF$, $V_{IN} = \pm 500mV$		550	ns
Propagation Delay - High to Low	t_{PHL}	$C_L = 50pF$, $V_{IN} = \pm 500mV$		550	ns
Acceptance Input Frequency	f_A	Unused Input Grounded, $V_{IN} = \pm 200mV$		0.1	MHz
Rejectable Input Frequency	f_R	Unused Input Grounded, $V_{IN} = \pm 500mV$	5.5		MHz

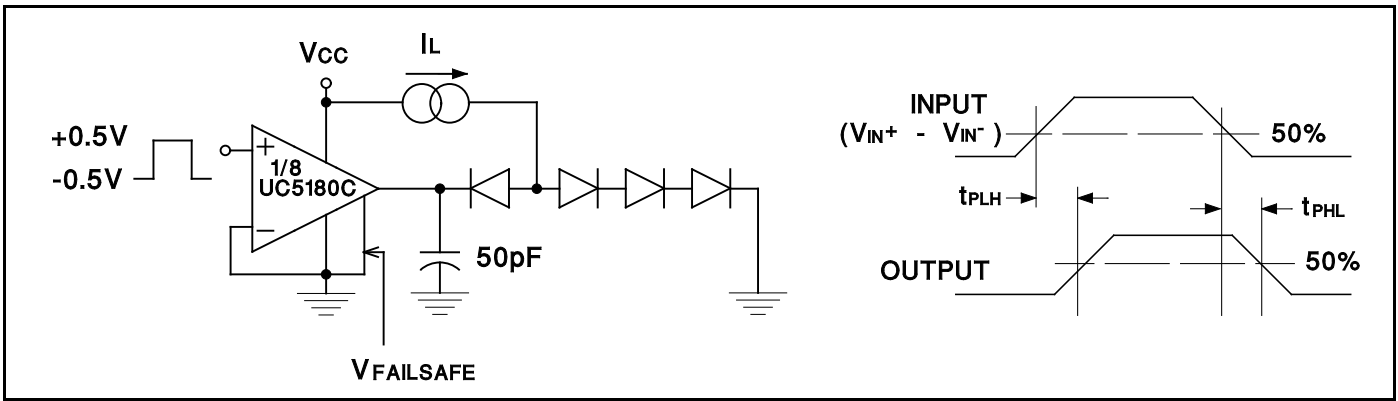


Figure 2. AC Test Circuit

APPLICATIONS INFORMATION

Failsafe Operation

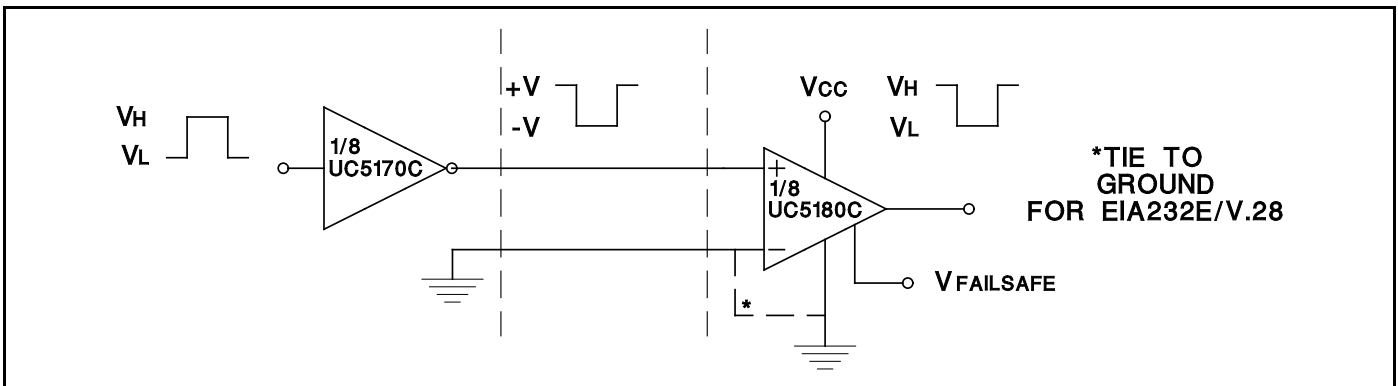
These devices provide a failsafe operating mode to guard against input fault conditions as defined in EIA422A and EIA423A standards. These fault conditions are (1) drive in power-off condition, (2) receiver not interconnected with driver, (3) open-circuited interconnecting cable, and (4) short-circuited interconnecting cable. If one of these four fault conditions occurs at the inputs of a receiver, then the output of that receiver is driven to a known logic level. The receiver is programmed by connecting the failsafe input to Vcc or ground. A connection to Vcc provides a logic "1" output

under fault conditions, while a connection to ground provides a logic "0". There are two failsafe pins (Fs1 and Fs2) on the UC5180C where each provides common failsafe control for four receivers.

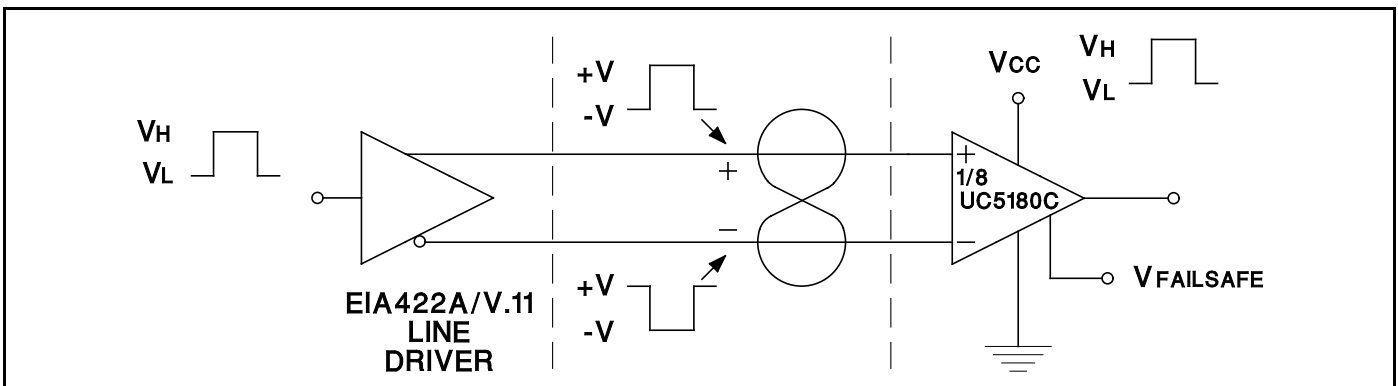
Input Filtering (UC5180C)

The UC5180C has input filtering for additional noise rejection. This filtering is a function of both signal level and frequency. For the specified input (5.5 MHz at ±500 mV) the input stage filter attenuates the signal such that the output stage threshold levels are not exceeded and no change of state occurs at the output.

EIA232E/V.28 / EIA423A/V.10 DATA TRANSMISSION



EIA422A/V.11 DATA TRANSMISSION



IMPORTANT NOTICE

Texas Instruments and its subsidiaries (TI) reserve the right to make changes to their products or to discontinue any product or service without notice, and advise customers to obtain the latest version of relevant information to verify, before placing orders, that information being relied on is current and complete. All products are sold subject to the terms and conditions of sale supplied at the time of order acknowledgement, including those pertaining to warranty, patent infringement, and limitation of liability.

TI warrants performance of its semiconductor products to the specifications applicable at the time of sale in accordance with TI's standard warranty. Testing and other quality control techniques are utilized to the extent TI deems necessary to support this warranty. Specific testing of all parameters of each device is not necessarily performed, except those mandated by government requirements.

CERTAIN APPLICATIONS USING SEMICONDUCTOR PRODUCTS MAY INVOLVE POTENTIAL RISKS OF DEATH, PERSONAL INJURY, OR SEVERE PROPERTY OR ENVIRONMENTAL DAMAGE ("CRITICAL APPLICATIONS"). TI SEMICONDUCTOR PRODUCTS ARE NOT DESIGNED, AUTHORIZED, OR WARRANTED TO BE SUITABLE FOR USE IN LIFE-SUPPORT DEVICES OR SYSTEMS OR OTHER CRITICAL APPLICATIONS. INCLUSION OF TI PRODUCTS IN SUCH APPLICATIONS IS UNDERSTOOD TO BE FULLY AT THE CUSTOMER'S RISK.

In order to minimize risks associated with the customer's applications, adequate design and operating safeguards must be provided by the customer to minimize inherent or procedural hazards.

TI assumes no liability for applications assistance or customer product design. TI does not warrant or represent that any license, either express or implied, is granted under any patent right, copyright, mask work right, or other intellectual property right of TI covering or relating to any combination, machine, or process in which such semiconductor products or services might be or are used. TI's publication of information regarding any third party's products or services does not constitute TI's approval, warranty or endorsement thereof.