

Octal Line Receiver

FEATURES

- Meets EIA 232E/423A/422A and CCITT V.10,V.11, V.28, X.26, X.27
- Single +5V Supply--TTL Compatible Outputs
- Differential Inputs Withstand $\pm 25V$
- Low Open Circuit Voltage for Improved Failsafe Characteristic
- Reduced Supply Current--35 mA Max
- Input Noise Filter
- Internal Hysteresis

DESCRIPTION

The UC5180C is an octal line receiver designed to meet a wide range of digital communications requirements as outlined in EIA standards EIA232E, EIA423A, EIA422A, and CCITT V.10, V.11, V.28, X.26, and X.27. The UC5180C includes an input noise filter and is intended for applications employing data rates up to 200 KBPS. A failsafe function allows these devices to "fail" to a known state under a wide variety of fault conditions at the inputs.

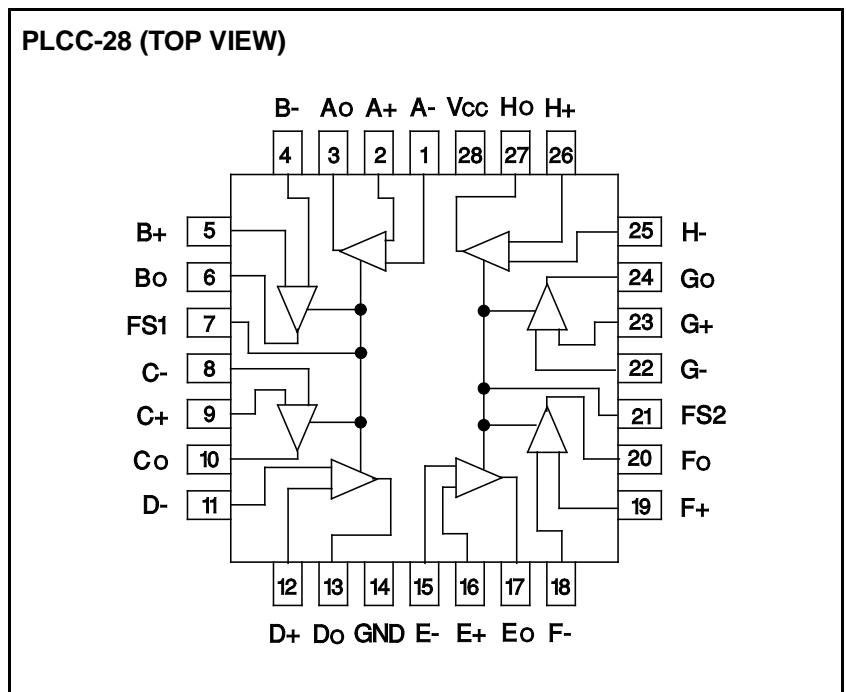
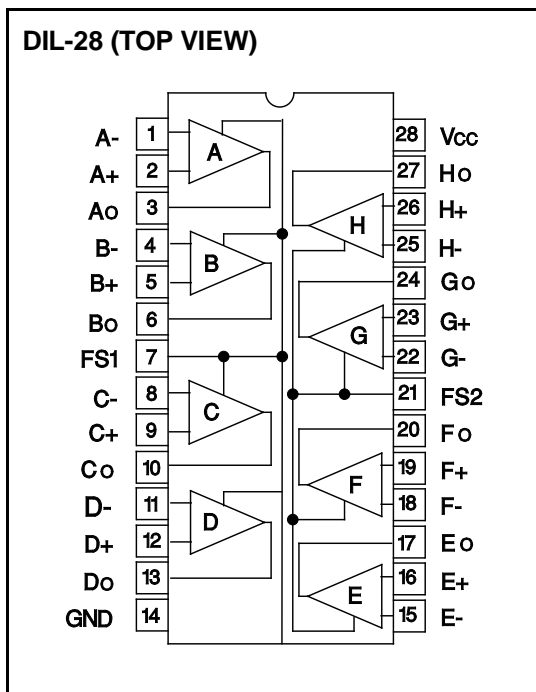
ABSOLUTE MAXIMUM RATINGS (Note 1)

Supply Voltage, Vcc	7V
Output Sink Current	50 mA
Output Short Circuit Time	1 Sec
Common Mode Input Range	15V
Differential Input Range	25V
Failsafe Voltage	-0.3 to Vcc
PLCC Power Dissipation, TA = 25°C (Note 2)	1000 mW
DIP Power Dissipation, TA = 25°C (Note 2)	1200 mW
Storage Temperature Range	-65°C to +150°C
Lead Temperature (Soldering, 10 Seconds)	-300°C

Note 1: All voltages are with respect to ground, pin 14. Currents are positive into, negative out of the specified terminal

Note 2: Consult Packaging Section of Databook for thermal limitations and considerations of package.

CONNECTION DIAGRAMS



DC ELECTRICAL CHARACTERISTICS: Unless otherwise stated these specifications apply for $T_A = 0^\circ\text{C}$ to $+70^\circ\text{C}$, $V_{CC} = 5V \pm 5\%$, Input Common Mode Range $\pm 7V$, $T_A = T_J$

PARAMETERS	SYMBOL	TEST CONDITIONS	UC5180C		UNITS	
			MIN	MAX		
DC Input Resistance	R_{IN}	$3V \leq V_{IN} \leq 25V$	3	7	$k\Omega$	
Failsafe Output Voltage	V_{OFS}	Inputs Open or Shorted Together, or One Input Open and One Grounded	$0 \leq I_{OUT} \leq 8mA$, $V_{FAILSAFE} = 0V$	0.45	V	
			$0 \geq I_{OUT} \geq -400\mu A$, $V_{FAILSAFE} = V_{CC}$	2.7		
Differential Input High Threshold	V_{TH}	$V_{OUT} = 2.7V$, $I_{OUT} = 440\mu A$ (See Figure 1)	$R_s = 0$ (Note 2)	50	200	mV
			$R_s = 500$ (Note 2)		400	
Differential Input Low Threshold	V_{TL}	$V_{OUT} = 0.45V$, $I_{OUT} = 440\mu A$ (See Figure 1)	$R_s = 0$ (Note 2)	-200	-50	mV
			$R_s = 500$ (Note 2)	-400		
Hysteresis	V_H	$F_s = 0V$ or V_{CC} (See Figure 1)	50	140	mV	
Open Circuit Input Voltage	V_{ICC}			75	mV	
Input Capacitance	C_i			20	pF	
High Level Output Voltage	V_{CH}	$V_{ID} = 1V$, $I_{OUT} = -440\mu A$	2.7		V	
Low Level Output Voltage	V_{OL}	$V_{ID} = -1V$ (Note 3)	$I_{OUT} = 4mA$		0.4	V
			$I_{OUT} = 8mA$		0.45	
Short Circuit Output Current	I_{OS}	Note 4	20	100	mA	
Supply Current	I_{CC}	$4.75V \leq V_{CC} \leq 5.25V$		35	mA	
Input Current	I_{IN}	Other Inputs Grounded	$V_{IN} = +10V$		3.25	mA
			$V_{IN} = -10V$	-3.25		

Note 2: R_s is a resistor in series with each input.

Note 3: Measured after 100ms warm up (at 0°C)

Note 4: Only 1 output may be shorted at one time and then only for a maximum of 1 sec.

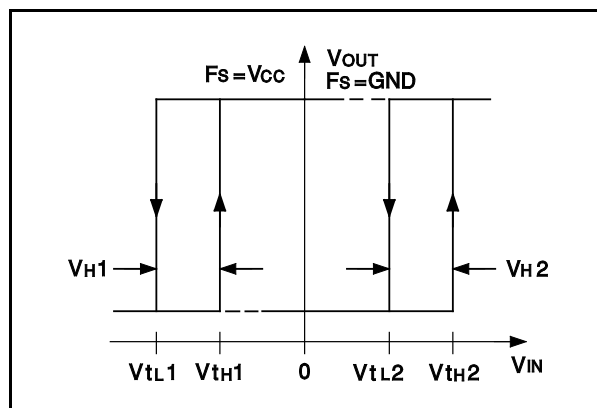


Figure 1. V_{tL} , V_{tH} , V_H Definition

AC ELECTRICAL CHARACTERISTICS: $V_{CC} = 5V \pm 5\%$, $T_A = 0^\circ\text{C}$ to $+70^\circ\text{C}$, Figure 2, $T_A = T_J$.

PARAMETERS	SYMBOL	TEST CONDITIONS	UC5180C		UNITS
			MIN	MAX	
Propagation Delay - Low to High	t_{PLH}	$C_L = 50pF$, $V_{IN} = \pm 500mV$		550	ns
Propagation Delay - High to Low	t_{PHL}	$C_L = 50pF$, $V_{IN} = \pm 500mV$		550	ns
Acceptance Input Frequency	f_A	Unused Input Grounded, $V_{IN} = \pm 200mV$		0.1	MHz
Rejectable Input Frequency	f_R	Unused Input Grounded, $V_{IN} = \pm 500mV$	5.5		MHz

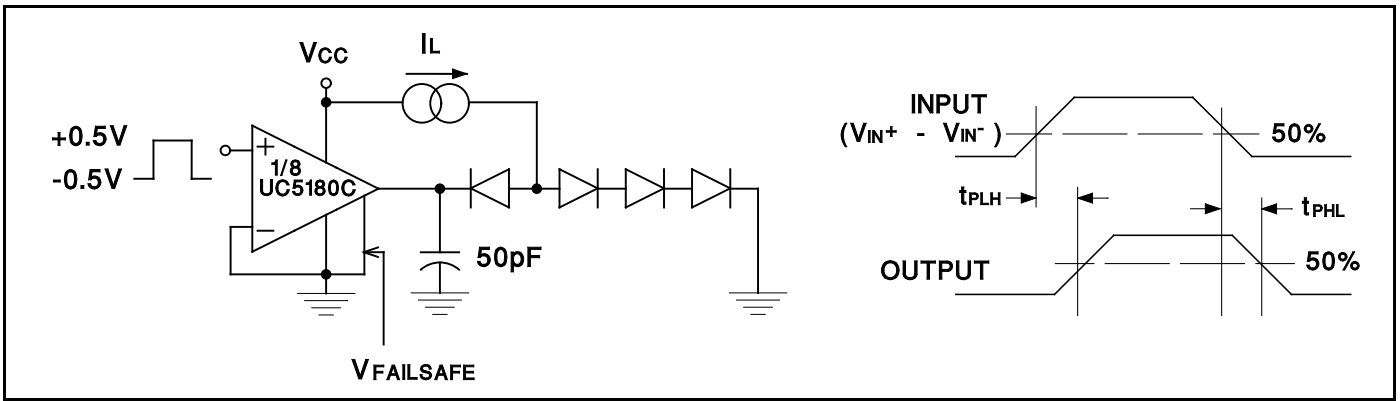


Figure 2. AC Test Circuit

APPLICATIONS INFORMATION

Failsafe Operation

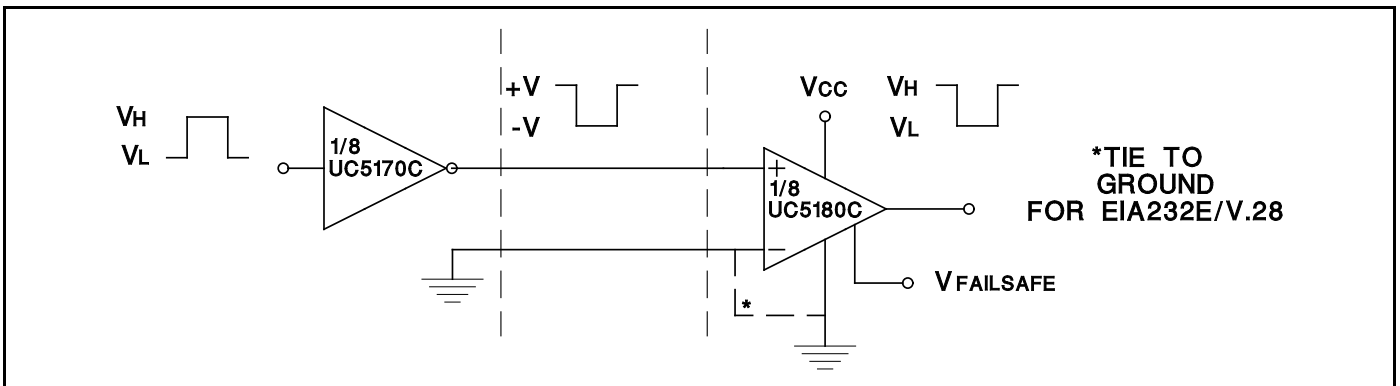
These devices provide a failsafe operating mode to guard against input fault conditions as defined in EIA422A and EIA423A standards. These fault conditions are (1) drive in power-off condition, (2) receiver not interconnected with driver, (3) open-circuited interconnecting cable, and (4) short-circuited interconnecting cable. If one of these four fault conditions occurs at the inputs of a receiver, then the output of that receiver is driven to a known logic level. The receiver is programmed by connecting the failsafe input to Vcc or ground. A connection to Vcc provides a logic "1" output

under fault conditions, while a connection to ground provides a logic "0". There are two failsafe pins (Fs1 and Fs2) on the UC5180C where each provides common failsafe control for four receivers.

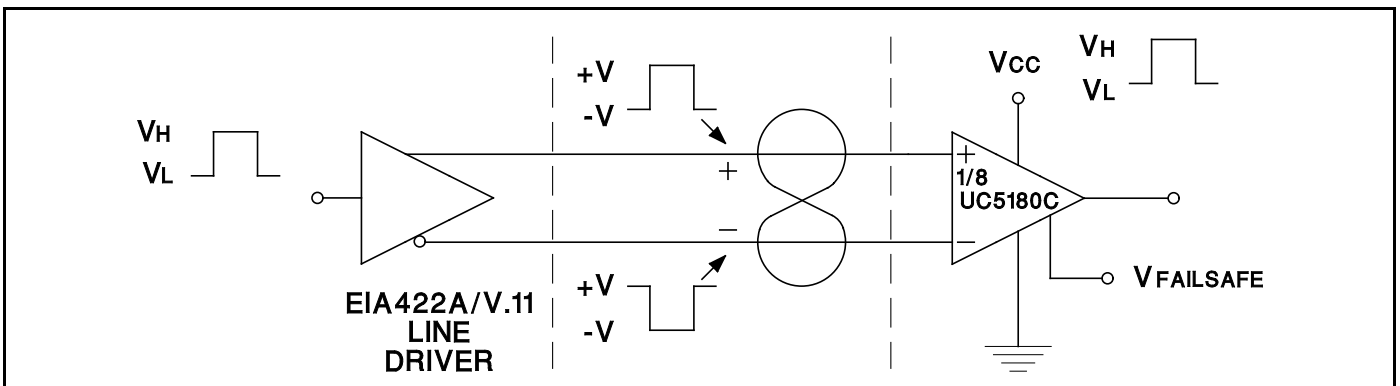
Input Filtering (UC5180C)

The UC5180C has input filtering for additional noise rejection. This filtering is a function of both signal level and frequency. For the specified input (5.5 MHz at ±500 mV) the input stage filter attenuates the signal such that the output stage threshold levels are not exceeded and no change of state occurs at the output.

EIA232E/V.28 / EIA423A/V.10 DATA TRANSMISSION



EIA422A/V.11 DATA TRANSMISSION



PACKAGING INFORMATION

Orderable Device	Status (1)	Package Type	Package Drawing	Pins	Package Qty	Eco Plan (2)	Lead/Ball Finish (6)	MSL Peak Temp (3)	Op Temp (°C)	Device Marking (4/5)	Samples
UC5180CJ	OBSOLETE		UTR			TBD	Call TI	Call TI			
UC5180CQ	OBSOLETE	PLCC	FN	28		TBD	Call TI	Call TI		UC5180CQ	
UC5180CQTR	OBSOLETE	PLCC	FN	28		TBD	Call TI	Call TI		UC5180CQ	

(1) The marketing status values are defined as follows:

ACTIVE: Product device recommended for new designs.

LIFEBUY: TI has announced that the device will be discontinued, and a lifetime-buy period is in effect.

NRND: Not recommended for new designs. Device is in production to support existing customers, but TI does not recommend using this part in a new design.

PREVIEW: Device has been announced but is not in production. Samples may or may not be available.

OBSOLETE: TI has discontinued the production of the device.

(2) Eco Plan - The planned eco-friendly classification: Pb-Free (RoHS), Pb-Free (RoHS Exempt), or Green (RoHS & no Sb/Br) - please check <http://www.ti.com/productcontent> for the latest availability information and additional product content details.

TBD: The Pb-Free/Green conversion plan has not been defined.

Pb-Free (RoHS): TI's terms "Lead-Free" or "Pb-Free" mean semiconductor products that are compatible with the current RoHS requirements for all 6 substances, including the requirement that lead not exceed 0.1% by weight in homogeneous materials. Where designed to be soldered at high temperatures, TI Pb-Free products are suitable for use in specified lead-free processes.

Pb-Free (RoHS Exempt): This component has a RoHS exemption for either 1) lead-based flip-chip solder bumps used between the die and package, or 2) lead-based die adhesive used between the die and leadframe. The component is otherwise considered Pb-Free (RoHS compatible) as defined above.

Green (RoHS & no Sb/Br): TI defines "Green" to mean Pb-Free (RoHS compatible), and free of Bromine (Br) and Antimony (Sb) based flame retardants (Br or Sb do not exceed 0.1% by weight in homogeneous material)

(3) MSL, Peak Temp. - The Moisture Sensitivity Level rating according to the JEDEC industry standard classifications, and peak solder temperature.

(4) There may be additional marking, which relates to the logo, the lot trace code information, or the environmental category on the device.

(5) Multiple Device Markings will be inside parentheses. Only one Device Marking contained in parentheses and separated by a "~" will appear on a device. If a line is indented then it is a continuation of the previous line and the two combined represent the entire Device Marking for that device.

(6) Lead/Ball Finish - Orderable Devices may have multiple material finish options. Finish options are separated by a vertical ruled line. Lead/Ball Finish values may wrap to two lines if the finish value exceeds the maximum column width.

Important Information and Disclaimer: The information provided on this page represents TI's knowledge and belief as of the date that it is provided. TI bases its knowledge and belief on information provided by third parties, and makes no representation or warranty as to the accuracy of such information. Efforts are underway to better integrate information from third parties. TI has taken and continues to take reasonable steps to provide representative and accurate information but may not have conducted destructive testing or chemical analysis on incoming materials and chemicals. TI and TI suppliers consider certain information to be proprietary, and thus CAS numbers and other limited information may not be available for release.

In no event shall TI's liability arising out of such information exceed the total purchase price of the TI part(s) at issue in this document sold by TI to Customer on an annual basis.

IMPORTANT NOTICE

Texas Instruments Incorporated and its subsidiaries (TI) reserve the right to make corrections, enhancements, improvements and other changes to its semiconductor products and services per JESD46, latest issue, and to discontinue any product or service per JESD48, latest issue. Buyers should obtain the latest relevant information before placing orders and should verify that such information is current and complete. All semiconductor products (also referred to herein as "components") are sold subject to TI's terms and conditions of sale supplied at the time of order acknowledgment.

TI warrants performance of its components to the specifications applicable at the time of sale, in accordance with the warranty in TI's terms and conditions of sale of semiconductor products. Testing and other quality control techniques are used to the extent TI deems necessary to support this warranty. Except where mandated by applicable law, testing of all parameters of each component is not necessarily performed.

TI assumes no liability for applications assistance or the design of Buyers' products. Buyers are responsible for their products and applications using TI components. To minimize the risks associated with Buyers' products and applications, Buyers should provide adequate design and operating safeguards.

TI does not warrant or represent that any license, either express or implied, is granted under any patent right, copyright, mask work right, or other intellectual property right relating to any combination, machine, or process in which TI components or services are used. Information published by TI regarding third-party products or services does not constitute a license to use such products or services or a warranty or endorsement thereof. Use of such information may require a license from a third party under the patents or other intellectual property of the third party, or a license from TI under the patents or other intellectual property of TI.

Reproduction of significant portions of TI information in TI data books or data sheets is permissible only if reproduction is without alteration and is accompanied by all associated warranties, conditions, limitations, and notices. TI is not responsible or liable for such altered documentation. Information of third parties may be subject to additional restrictions.

Resale of TI components or services with statements different from or beyond the parameters stated by TI for that component or service voids all express and any implied warranties for the associated TI component or service and is an unfair and deceptive business practice. TI is not responsible or liable for any such statements.

Buyer acknowledges and agrees that it is solely responsible for compliance with all legal, regulatory and safety-related requirements concerning its products, and any use of TI components in its applications, notwithstanding any applications-related information or support that may be provided by TI. Buyer represents and agrees that it has all the necessary expertise to create and implement safeguards which anticipate dangerous consequences of failures, monitor failures and their consequences, lessen the likelihood of failures that might cause harm and take appropriate remedial actions. Buyer will fully indemnify TI and its representatives against any damages arising out of the use of any TI components in safety-critical applications.

In some cases, TI components may be promoted specifically to facilitate safety-related applications. With such components, TI's goal is to help enable customers to design and create their own end-product solutions that meet applicable functional safety standards and requirements. Nonetheless, such components are subject to these terms.

No TI components are authorized for use in FDA Class III (or similar life-critical medical equipment) unless authorized officers of the parties have executed a special agreement specifically governing such use.

Only those TI components which TI has specifically designated as military grade or "enhanced plastic" are designed and intended for use in military/aerospace applications or environments. Buyer acknowledges and agrees that any military or aerospace use of TI components which have **not** been so designated is solely at the Buyer's risk, and that Buyer is solely responsible for compliance with all legal and regulatory requirements in connection with such use.

TI has specifically designated certain components as meeting ISO/TS16949 requirements, mainly for automotive use. In any case of use of non-designated products, TI will not be responsible for any failure to meet ISO/TS16949.

Products

Audio	www.ti.com/audio
Amplifiers	amplifier.ti.com
Data Converters	dataconverter.ti.com
DLP® Products	www.dlp.com
DSP	dsp.ti.com
Clocks and Timers	www.ti.com/clocks
Interface	interface.ti.com
Logic	logic.ti.com
Power Mgmt	power.ti.com
Microcontrollers	microcontroller.ti.com
RFID	www.ti-rfid.com
OMAP Applications Processors	www.ti.com/omap
Wireless Connectivity	www.ti.com/wirelessconnectivity

Applications

Automotive and Transportation	www.ti.com/automotive
Communications and Telecom	www.ti.com/communications
Computers and Peripherals	www.ti.com/computers
Consumer Electronics	www.ti.com/consumer-apps
Energy and Lighting	www.ti.com/energy
Industrial	www.ti.com/industrial
Medical	www.ti.com/medical
Security	www.ti.com/security
Space, Avionics and Defense	www.ti.com/space-avionics-defense
Video and Imaging	www.ti.com/video

TI E2E Community

e2e.ti.com