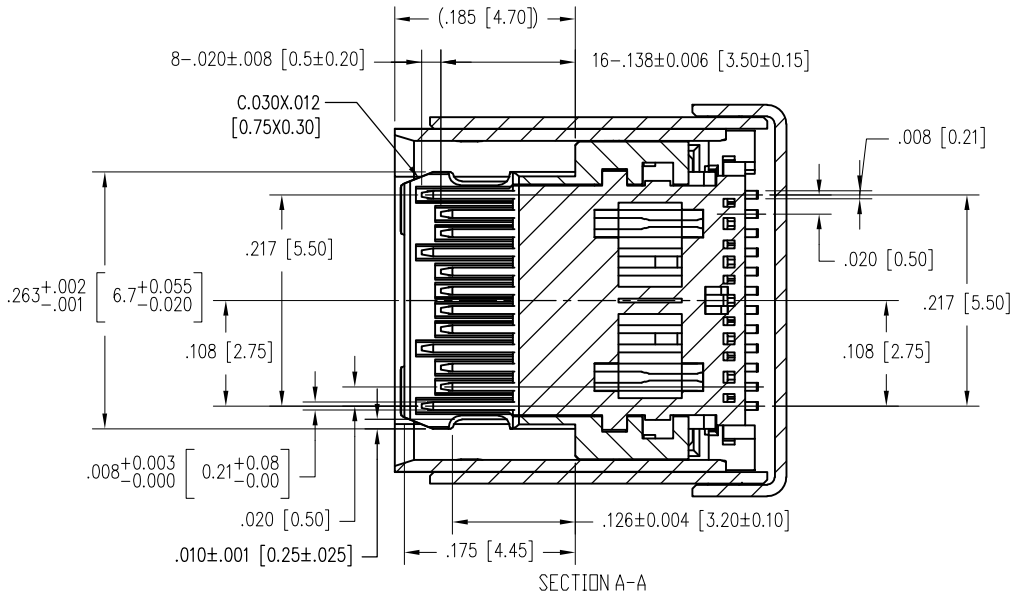
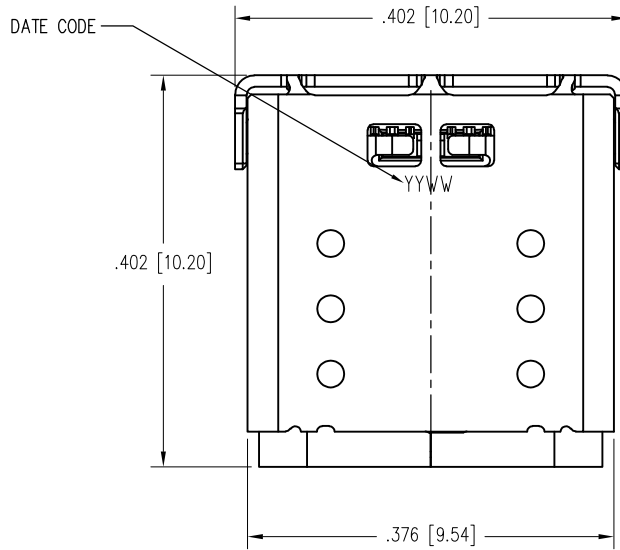
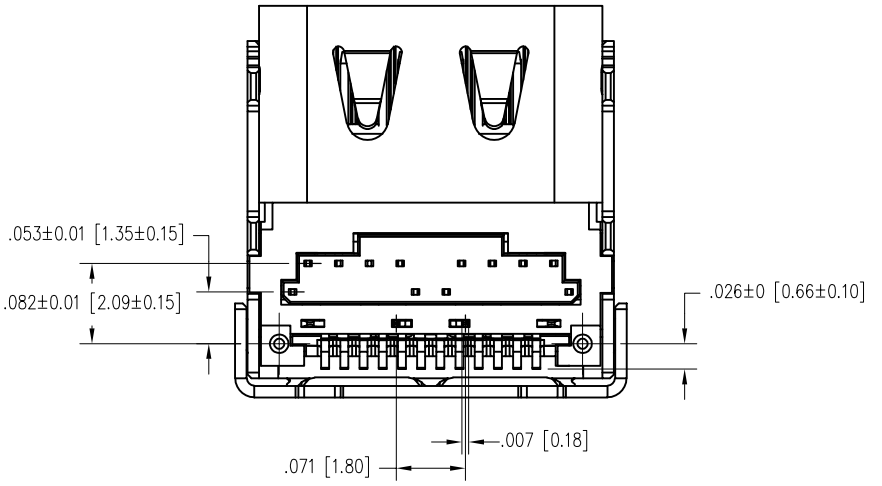
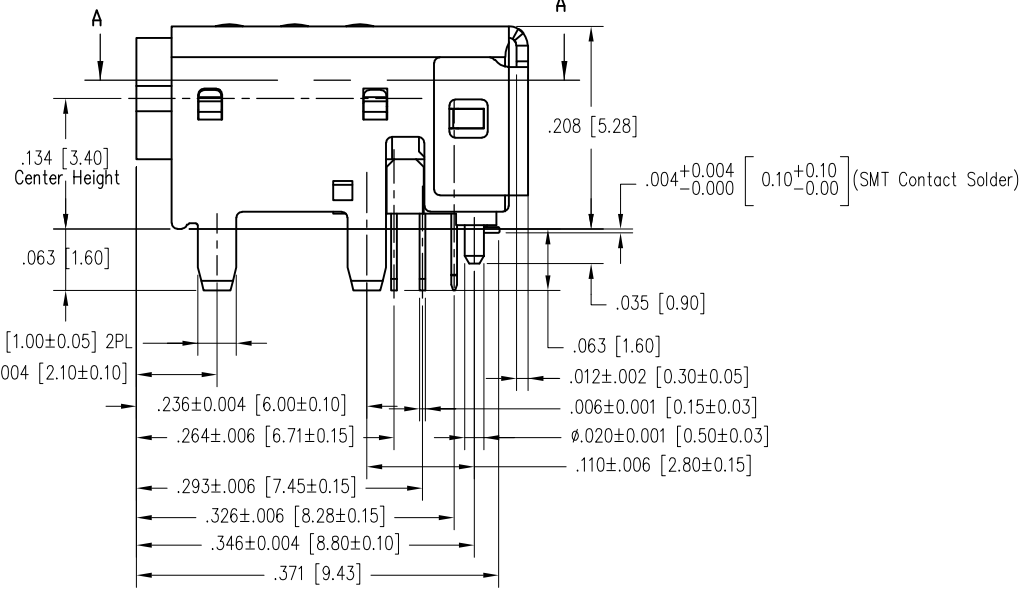
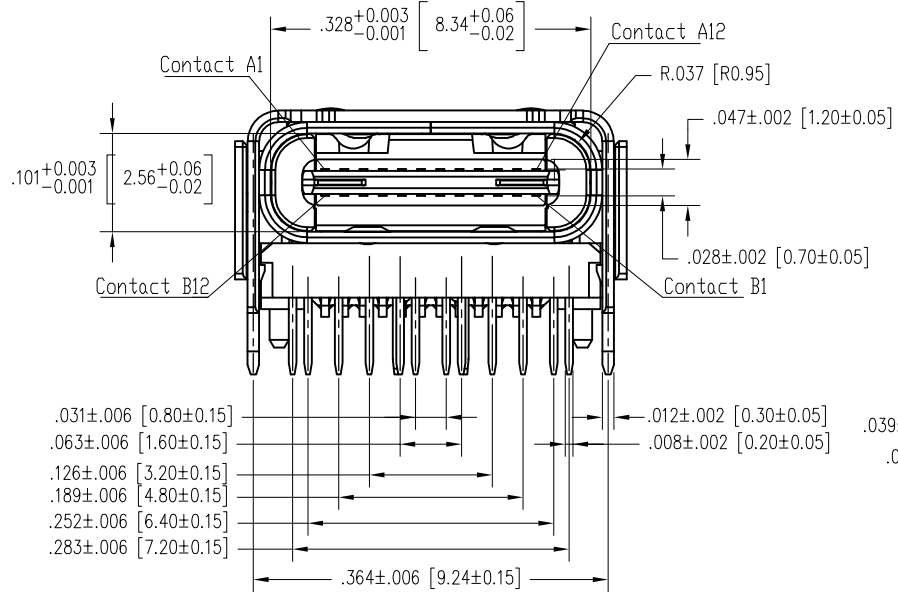


| DATE | REV | ECN | APP'D. BY |
|-----------|-----|-----|-----------|
| 4/19/2021 | A0 | - | GWL |
| | | | |
| | | | |



- NOTE:
- Material
 HOUSING: THERMOPLASTIC, RATED UL94V-0
 CONTACTS: COPPER ALLOY
 SHELL: STAINLESS STEEL
 CONTACT PLATING:
 UNDERPLATE: 50u"-80u" NICKEL
 CONTACT AREA: SEE CHART
 SOLDER TAILS: 100u"-150u" TIN (MATTE)
 - ELECTRICAL
 OPERATION VOLTAGE: 20V
 CURRENT RATING: 7 AMPS MAX.
 CONTACT RESISTANCE: 40 MOHMS MIN @100VDC
 DIELECTRIC WITHSTANDING VOLTAGE: 100VAC/ 1 MINUTE
 - ENVIRONMENTAL:
 TEMPERATURE RANGE: -20° TO +105°
 MATING CYCLES: 10,000 INSERTIONS
- CONNECTOR IS FULLY COMPATIBLE WITH USC TYPE C 3.1 GEN 2 CONNECTOR SPEC.



| | |
|--------------------------------|--------------|
| 30 MICRO-INCHES [0.76um] | SS-52400-005 |
| CONTACT PLATING IN MATING AREA | PART NUMBER |

THIRD ANGLE PROJECTION

DRAWING IS SUBJECT TO CHANGE WITHOUT NOTICE

UNLESS OTHERWISE SPECIFIED DIMENSIONS INCHES [METRIC] TOLERANCES ARE:

ANGLES ± 1°

.XX [.X] ±.010" [±0.25]

.XXX [.XX] ±.008" [±0.20]

.XXXX [.XXX] ±.004" [±0.10]

DO NOT SCALE DRAWING

SHEET NO. 1 OF 3



1118 Susquehanna Trail South
 Glen Rock, PA 17327-9199
 (717) 235-7512
<http://www.stewartconnector.com>

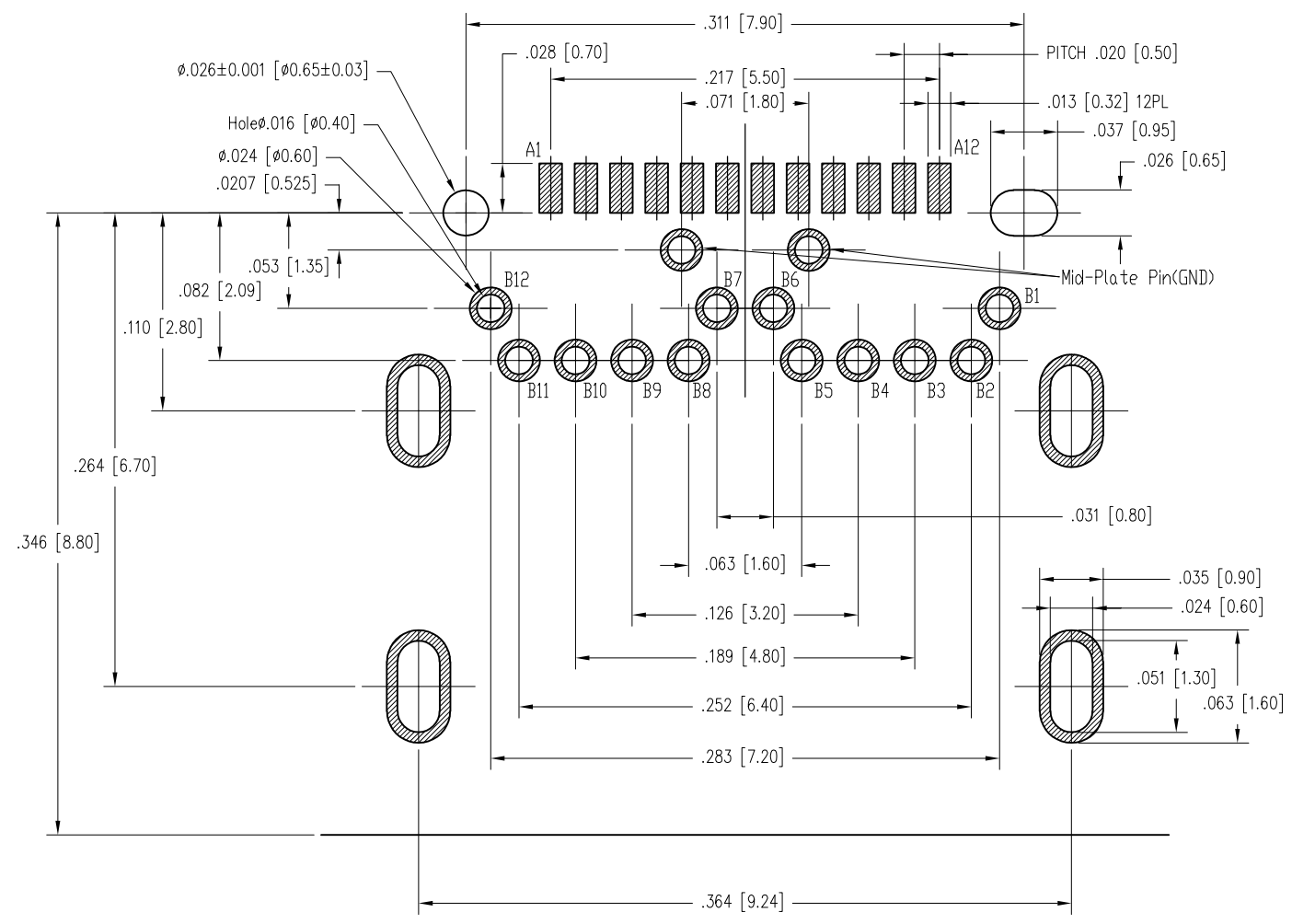
TITLE: USB4 (Type C) R/Angle Receptacle 1.6mm Tail Length

THIS DRAWING AND THE SUBJECT MATTER SHOWN THEREON ARE CONFIDENTIAL AND THE PROPRIETARY PROPERTY OF STEWART CONNECTOR AND SHALL NOT BE REPRODUCED, COPIED, OR USED IN ANY MANNER WITHOUT PRIOR WRITTEN CONSENT OF STEWART CONNECTOR. ONE OR MORE U.S. PATENTS MAY APPLY TO THIS PRODUCT. FOR DETAILS, PLEASE VISIT: [HTTP://BELFUSE.COM/STEWART/STEWART_PATENTS/](http://BELFUSE.COM/STEWART/STEWART_PATENTS/)

| | |
|------------------|----------------|
| DRN BY: JE | DATE 4/15/2021 |
| APPD BY: GWL | DATE 4/19/2021 |
| DWG NO. CT520014 | REV. A0 |

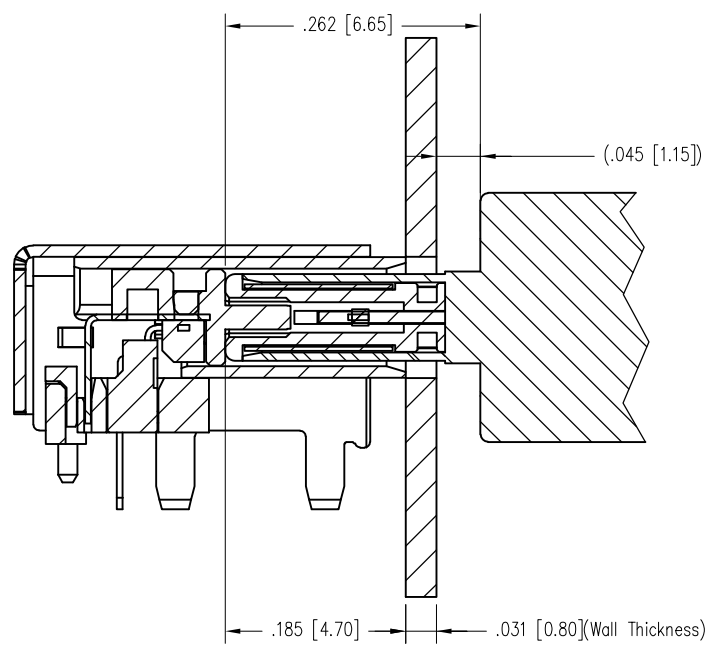
| USB TYPE -C Pin Assignments | | | |
|-----------------------------|-------------|------------|-------------|
| Pin Number | Signal Name | Pin Number | Signal Name |
| A1 | GND | B12 | GND |
| A2 | SSTXp1 | B11 | SSRXp1 |
| A3 | SSTXn1 | B10 | SSRXn1 |
| A4 | VBUS | B9 | VBUS |
| A5 | CC1 | B8 | SBU2 |
| A6 | Dp1 | B7 | Dn2 |
| A7 | Dn1 | B6 | Dp2 |
| A8 | SBU1 | B5 | CC2 |
| A9 | VBUS | B4 | VBUS |
| A10 | SSRXn2 | B3 | SSTXn2 |
| A11 | SSRXp2 | B2 | SSTXp2 |
| A12 | GND | B1 | GND |

B



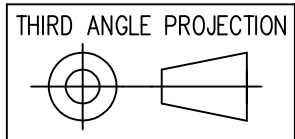
RECOMMENDED PCB LAYOUT
TOLERANCE ± 002 [0.05]
PCB THICKNESS = .063 [1.6]

B

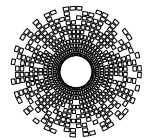


A

A



THIRD ANGLE PROJECTION
DRAWING IS SUBJECT TO CHANGE WITHOUT NOTICE
UNLESS OTHERWISE SPECIFIED DIMENSIONS INCHES [METRIC]
TOLERANCES ARE:
ANGLES $\pm 1^\circ$
.XX [.X] ± 0.010 " [± 0.25]
.XXX [.XX] ± 0.008 " [± 0.20]
.XXXX [.XXX] ± 0.004 " [± 0.10]
DO NOT SCALE DRAWING
SHEET NO. 2 OF 3



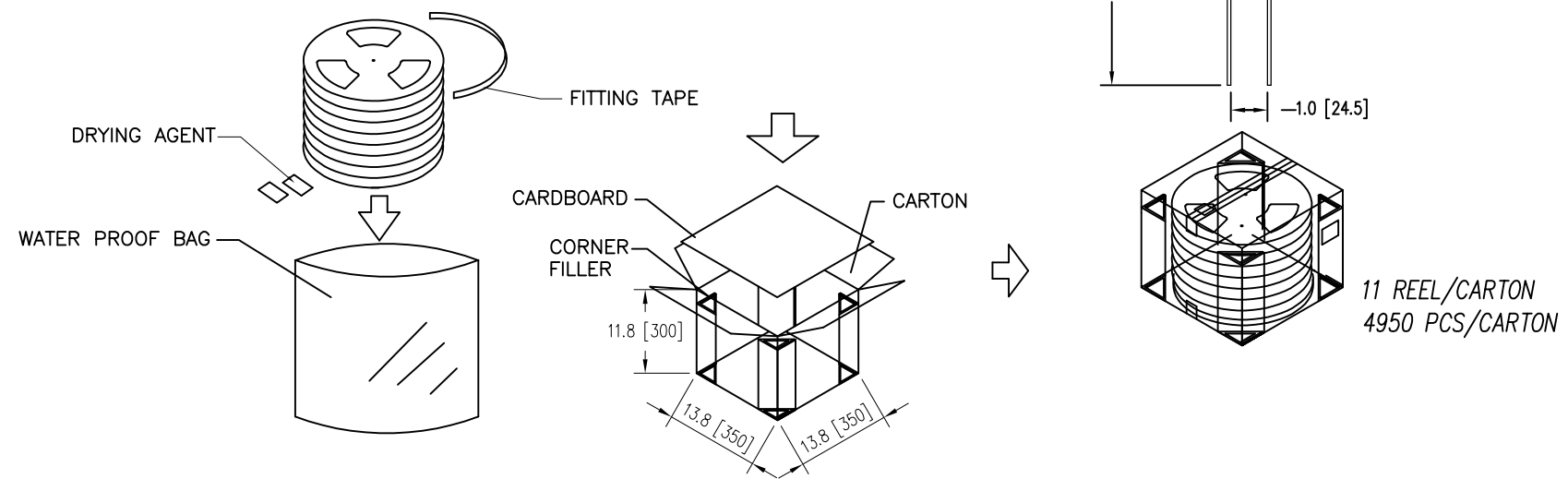
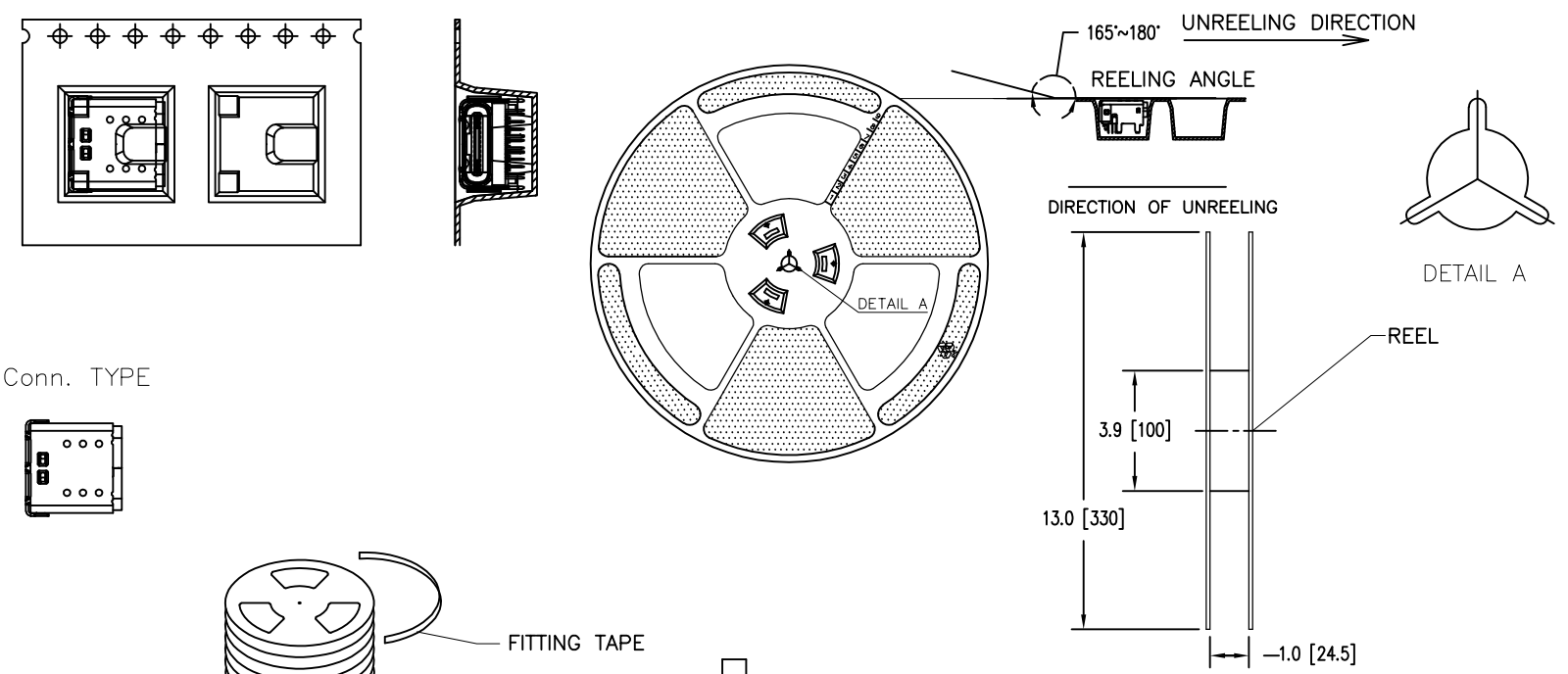
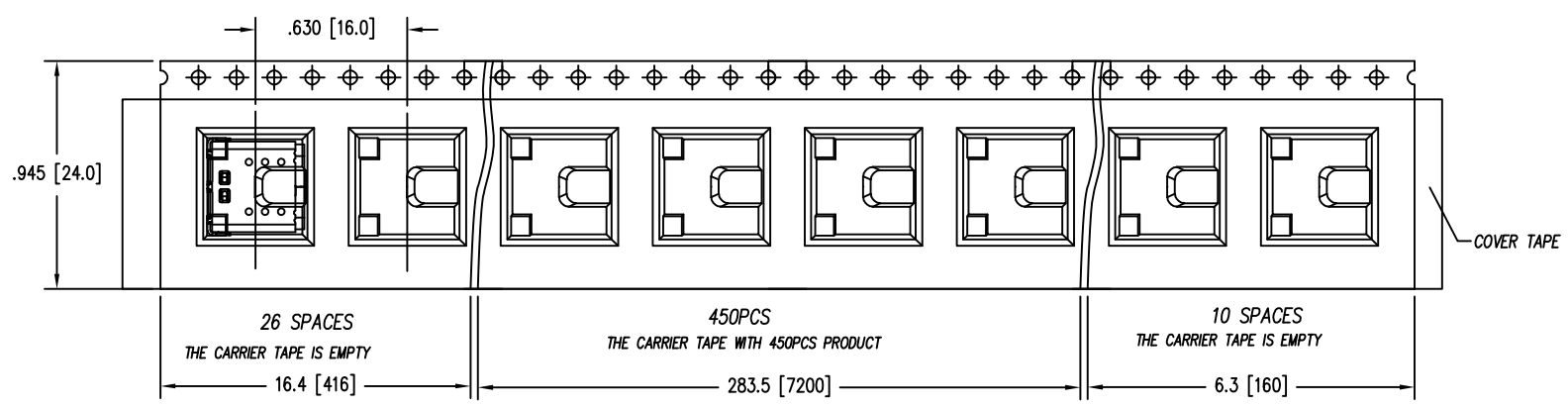
stewart
CONNECTOR
a bel group

11118 Susquehanna Trail South
Glen Rock, PA 17327-9199
(717) 235-7512
<http://www.stewartconnector.com>

TITLE: USB4 (Type C) R/Angle Receptacle 1.6mm Tail Length

THIS DRAWING AND THE SUBJECT MATTER SHOWN THEREON ARE CONFIDENTIAL AND THE PROPRIETARY PROPERTY OF STEWART CONNECTOR AND SHALL NOT BE REPRODUCED, COPIED, OR USED IN ANY MANNER WITHOUT PRIOR WRITTEN CONSENT OF STEWART CONNECTOR. ONE OR MORE U.S. PATENTS MAY APPLY TO THIS PRODUCT. FOR DETAILS, PLEASE VISIT: [HTTP://BELFUSE.COM/STEWART/STEWART_PATENTS/](http://BELFUSE.COM/STEWART/STEWART_PATENTS/)

| | |
|------------------|----------------|
| DRN BY: JE | DATE 4/15/2021 |
| APPD BY: GWL | DATE 4/19/2021 |
| DWG NO. CT520014 | REV. A0 |



| |
|---|
| THIRD ANGLE PROJECTION |
| DRAWING IS SUBJECT TO CHANGE WITHOUT NOTICE |
| UNLESS OTHERWISE SPECIFIED DIMENSIONS INCHES [METRIC] |
| TOLERANCES ARE: |
| ANGLES ± 1° |
| .XX [.X] ±.010" [±0.25] |
| .XXX [.XX] ±.008" [±0.20] |
| .XXXX [.XXX] ±.004" [±0.10] |
| DO NOT SCALE DRAWING |
| SHEET NO. 3 OF 3 |

| | | |
|--|---|----------------|
| <p>stewart CONNECTOR a bel group</p> | 1118 Susquehanna Trail South Glen Rock, PA 17327-9199 (717) 235-7512 http://www.stewartconnector.com | |
| | TITLE: USB4 (Type C) R/Angle Receptacle 1.6mm Tail Length | |
| THIS DRAWING AND THE SUBJECT MATTER SHOWN THEREON ARE CONFIDENTIAL AND THE PROPRIETARY PROPERTY OF STEWART CONNECTOR AND SHALL NOT BE REPRODUCED, COPIED, OR USED IN ANY MANNER WITHOUT PRIOR WRITTEN CONSENT OF STEWART CONNECTOR. ONE OR MORE U.S. PATENTS MAY APPLY TO THIS PRODUCT. FOR DETAILS, PLEASE VISIT: HTTP://BELFUSE.COM/STEWART/STEWART_PATENTS/ | DRN BY: JE | DATE 4/15/2021 |
| | APPD BY: GWL | DATE 4/19/2021 |
| | DWG NO. CT520014 | REV. A0 |