

|                               |  |
|-------------------------------|--|
| <b>PART NO.</b><br>2171760001 | <b>PLATING DESCRIPTION</b><br>SEE NOTE 2(1) FOR CONTACT AREA |
|-------------------------------|--|

|   |                     |                        |         |                                    |                 |
|---|---------------------|------------------------|---------|------------------------------------|-----------------|
| THIS DRAWING CONTAINS INFORMATION THAT IS PROPRIETARY TO MOLEX ELECTRONIC TECHNOLOGIES, LLC AND SHOULD NOT BE USED WITHOUT WRITTEN PERMISSION |                     | CURRENT REV DESC:      |         | <b>molex</b>                       |                 |
| DIMENSION UNITS<br><b>mm</b>  | SCALE<br><b>1:1</b> | EC NO: 657457          |         |                                    |                 |
| GENERAL TOLERANCES (UNLESS SPECIFIED)   |                     | DRWN: RZHANG           |         | TYPE C 6 PIN TOP MOUNT WATER PROOF |                 |
| ANGULAR TOL   | ± 3.0 °             | 2021/03/17             |         | PRODUCT CUSTOMER DRAWING           |                 |
| 4 PLACES  | ±                   | CHK'D: AYIN            |         | DOCUMENT NUMBER                    |                 |
| 3 PLACES  | ± 0.1               | APPR: AYIN             |         | 2171760001                         |                 |
| 2 PLACES  | ± 0.2               | INITIAL REVISION:      |         | DOC TYPE                           | DOC PART        |
| 1 PLACE   | ± 0.3               | DRWN: RZHANG           |         | PSD                                | 000             |
| 0 PLACES  | ±                   | APPR: AYIN             |         | REVISION                           | A1              |
| DRAFT WHERE APPLICABLE MUST REMAIN WITHIN DIMENSIONS  |                     | THIRD ANGLE PROJECTION | DRAWING | SERIES                             | MATERIAL NUMBER |
|   |                     |                        | A3-SIZE | 217176                             | CUSTOMER        |
|   |                     |                        |         | SEE CHART                          | SHEET NUMBER    |
|   |                     |                        |         | 1 OF 2                             |                 |

NOTES:

1.MATERIAL SPECIFICATION:

- 1.1.HOUSING:HIGH TEMPERATURE RESISTANT PLASTIC,UL94 V-0.
- 1.2.CONTACTS:COPPER ALLOY
- 1.3.MIDDLE CLIP: STAINLESS STEEL
- 1.4.SHELL: STAINLESS STEEL
- 1.5.WATERPROOF RING:Silicon

2.PLATING:

- 2.1 TERMINAL:OVERALL PLATING Ni BASE 50u' MIN.  
FUNCTIONAL AREA Au PLATING G/F  
SOLDER AREA MATTE TIN PLATING 50u'MIN

- 2.2. SHELL: SOLDERABLE NICKEL 50U' PLATING OVERALL.
- 2.3. COVER SHELL: PLATING NICKEL 50u' ON SOLDERING AREA.

- 2.4. MIDDLE CLIP: CLEANING

3.WATERPROOF LEVEL:IPX5

4. PRODUCT SPEC: 2171760001

5. PACKAGE SPEC:2171760001PDDPK1

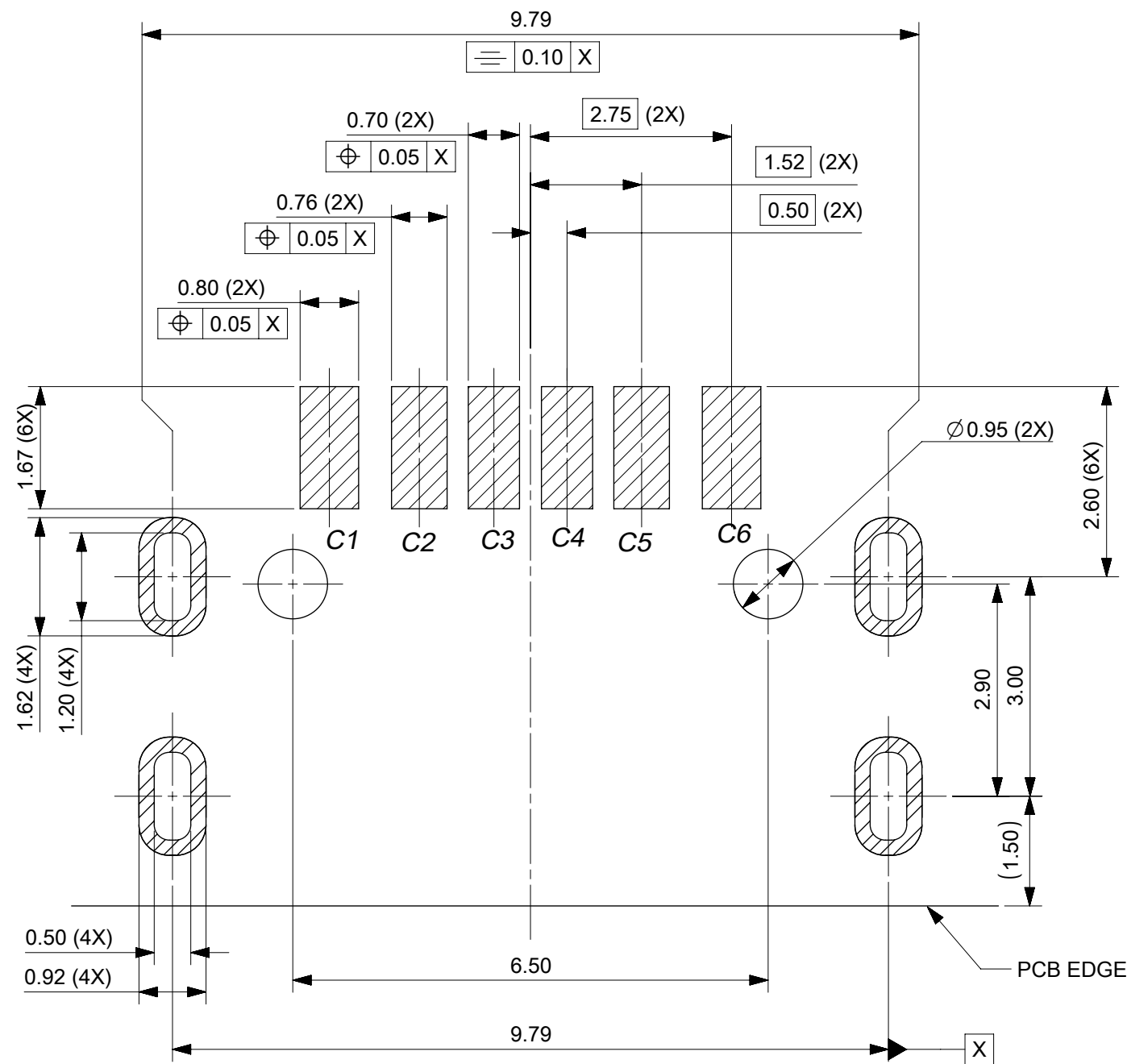
6. PRODUCT COMPLANT TO ROHS DIRECTIVE 2011/95/EU

7. PLEASE CONTACT YOUR SALES REPRESENTATIVE IF INTENDED FOR AUTOMOTIVE

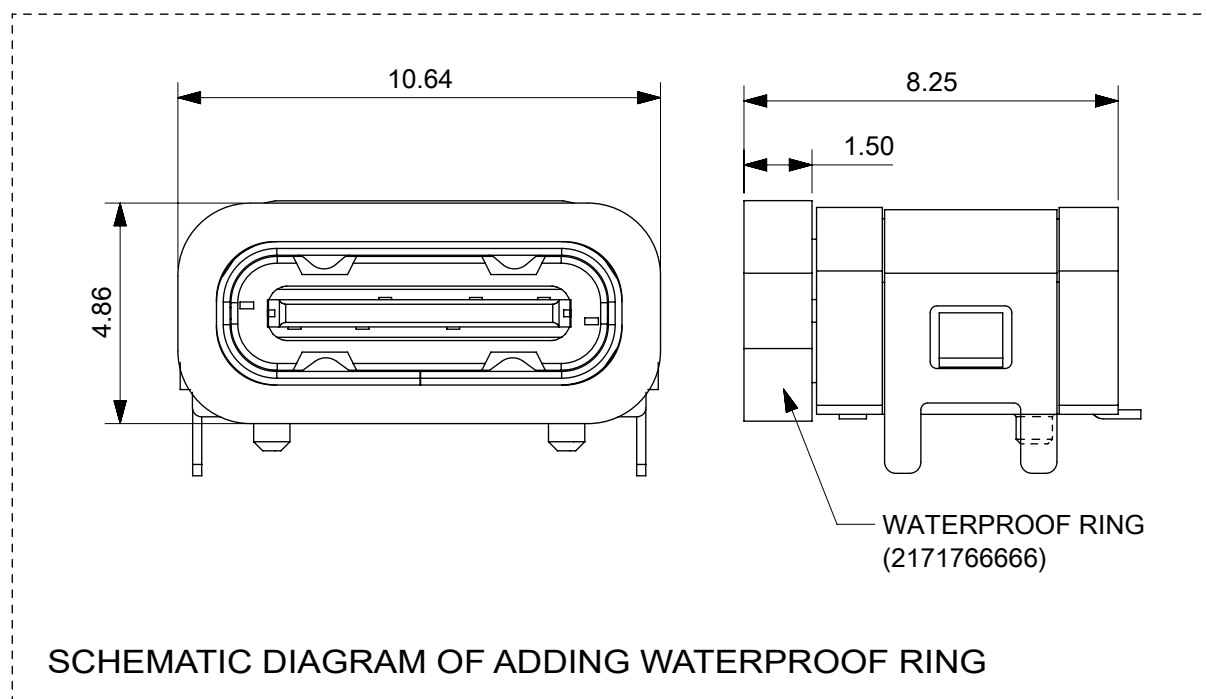
8. DATE CODE: YY WW D  
YEAR WEEK DAY

PIN ASSIGNMENT:

|             |        |       |     |     |       |        |
|-------------|--------|-------|-----|-----|-------|--------|
| PIN NO.     | A1&B12 | A4&B9 | A5  | A5  | A9&B4 | A12&B1 |
| SIGNAL NAME | GND    | VBUS  | CC1 | CC2 | VBUS  | GND    |
| PCB PAD NO. | C1     | C2    | C3  | C4  | C5    | C6     |



RECOMMENDED PCB LAYOUT(TOP VIEW)  
THICKNESS 0.80MM;DEFAULT TOLERANCE:±0.05



|   |         |  |            |           |                 |  |  |  |  |
|---|---------|--|------------|-----------|-----------------|--|--|--|--|
| THIS DRAWING CONTAINS INFORMATION THAT IS PROPRIETARY TO MOLEX ELECTRONIC TECHNOLOGIES, LLC AND SHOULD NOT BE USED WITHOUT WRITTEN PERMISSION |         |  |            |           |                 |  |  |  |  |
| DIMENSION UNITS   | SCALE   | CURRENT REV DESC:  |            |           |                 |  |  |  |  |
| mm  | 1:1     | <div style="text-align: center;"><b>molex</b></div> TYPE C 6 PIN TOP MOUNT WATER PROOF |            |           |                 |  |  |  |  |
| GENERAL TOLERANCES (UNLESS SPECIFIED)   |         |  |            |           |                 |  |  |  |  |
| ANGULAR TOL   | ± 3.0 ° | PRODUCT CUSTOMER DRAWING   |            |           |                 |  |  |  |  |
| 4 PLACES  | ±       | EC NO: 657457  | 2021/03/17 |           | DOCUMENT NUMBER |  |  |  |  |
| 3 PLACES  | ± 0.1   | DRWN: RZHANG   | 2021/04/06 |           | 2171760001      |  |  |  |  |
| 2 PLACES  | ± 0.2   | CHK'D: AYIN  | 2021/04/06 |           | PSD 000 A1      |  |  |  |  |
| 1 PLACE   | ± 0.3   | APPR: AYIN   | 2021/04/06 |           | SHEET NUMBER    |  |  |  |  |
| 0 PLACES  | ±       | INITIAL REVISION:  |            | 2 OF 2    |                 |  |  |  |  |
| DRAFT WHERE APPLICABLE MUST REMAIN WITHIN DIMENSIONS  |         | DRWN: RZHANG   | 2021/02/02 |           | MATERIAL NUMBER |  |  |  |  |
| THIRD ANGLE PROJECTION  |         | APPR: AYIN   | 2021/02/05 |           | CUSTOMER        |  |  |  |  |
| DRAWING   |         | SERIES   |            | SEE CHART |                 |  |  |  |  |
| A3-SIZE   |         | 217176   |            |           |                 |  |  |  |  |