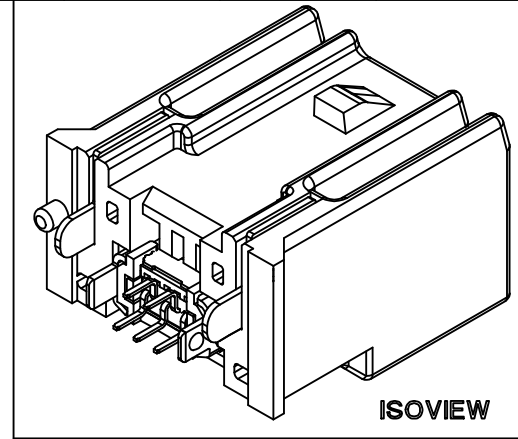


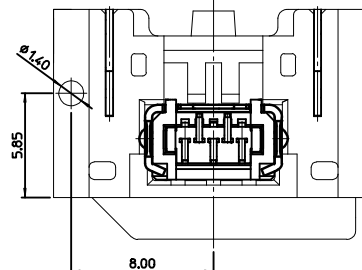
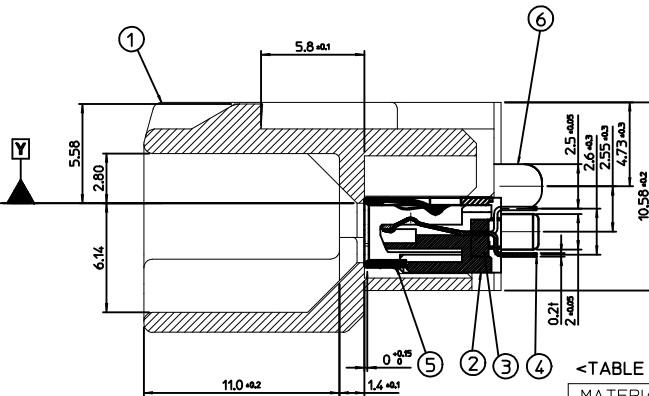
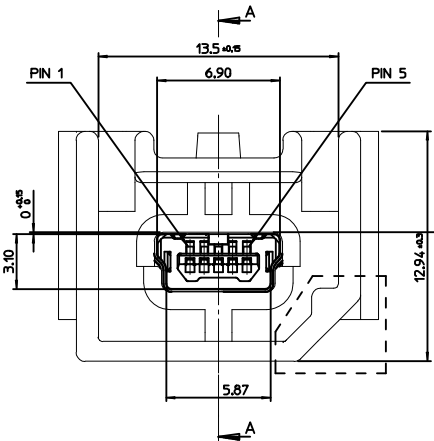
(CONNECTOR MOUNTING AND REVERSE SIDE)

**RECOMMENDED PCB LAYOUT**



**NOTE**

- MATES WITH :  
(MOLEX SERIES NO. - 111014, 111015, 111005, 111041, 111019, 111020)
- SHROUD GEOMETRY AND ASSEMBLY WITH USB MINI-B CONNECTOR ARE ACCORDING TO USCAR STD 999-U-USB-Z01
- FINISHES
  - TERMINAL :  
CONTACT AREA : Au 0.754m MIN.  
SOLDER TAIL AREA : TIN 3.84m MIN.  
UNDER PLATING : NI 1.04m MIN.
  - SHIELD CASE :  
3.04m MIN. TIN OVER NI 1.04m MIN.
  - FITTING NAIL :  
3.04m MIN. TIN OVER NI 1.04m MIN.
- UNLESS OTHERWISE SPECIFIED, TYPICAL RECOMMENDED PCB MANUFACTURING TOLERANCE IS ±0.05
- PRODUCT SPECIFICATION : PS-49616-001
- PACKAGING INFORMATION :  
PK-104004-001 (TRAY)  
PK-104004-002 (TUBE)  
PK-104004-005 (TAPE & REEL)  
7. PCB THICKNESS : 1.6mm (REFERENCE)



<TABLE 1>

MATERIAL NO.	ORDER NO.	COLOR	PACKING
1040040505	104004-0505	GRAY	TRAY
1040040705	104004-0705	GRAY	TUBE
1040040603	104004-0603	GRAY	TAPE&REEL

<PARTS LIST>

NO.	PART NAME	MATERIAL
1	SHROUD-B	LCP, GLASS FILLED, UL94 V-0
2	RECEPTACLE HOUSING	LCP, GLASS FILLED, UL94 V-0
3	CONTACT HOUSING	LCP, GLASS FILLED, UL94 V-0
4	CONTACT TERMINAL	COPPER ALLOY
5	SHIELD CASE	PHOSPHOR BRONZE
6	BOARD LOCKS PIN	BRASS

REVISED  
EC NO: KTR2016-0006  
DRAWN: JMK INO2 2015/07/16  
CHKD:  
APPR: JHBAE 2015/07/16  
A4

QUALITY SYMBOLS	GENERAL TOLERANCES (UNLESS SPECIFIED)		DIMENSION STYLE		SCALE	DESIGN UNITS	THIRD ANGLE PROJECTION
	mm	INCH	MM ONLY				
▽=0	4 PLACES ±0.05	±0.002	DRAWN BY	DATE	TITLE	MATERIAL NO.	SHEET NO.
▽=0	3 PLACES ±0.1	±0.004	S.M.KIM	2009/06/17			
	2 PLACES ±0.15	±0.008	CHECKED BY	DATE	MOLEX INCORPORATED	DOCUMENT NO.	
	1 PLACE ±0.25	±0.015	B.C.YOON	2009/06/17			
	ANGULAR ± 1°		APPROVED BY	DATE			
	DRAFT WHERE APPLICABLE MUST REMAIN WITHIN DIMENSIONS		E.H.JUNG	2009/06/17			