

REV.	DATE	DESCRIPTION
01	Oct. 24, '17	1st RELEASE

NOTES:

MATERIAL:

HOUSING: LCP, UL94V-0 COLOR-BLACK  
 CONTACT: COPPER ALLOY, GOLD FLASH PLATING  
 SHELL: COPPER ALLOY, NICKEL PLATING

STANDARD DATA:

RATING CURRENT: 0.8A  
 OPERATING TEMPERATURE: 0°C~+50°C  
 STORAGE TEMPERATURE: -20°C~+60°C

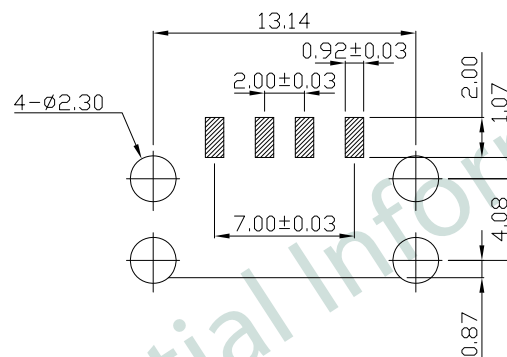
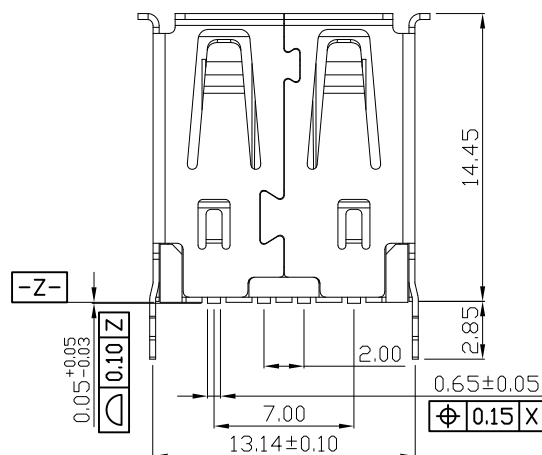
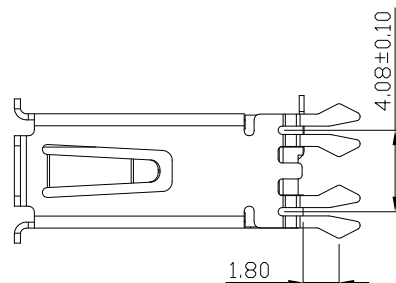
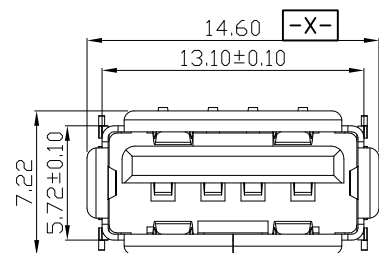
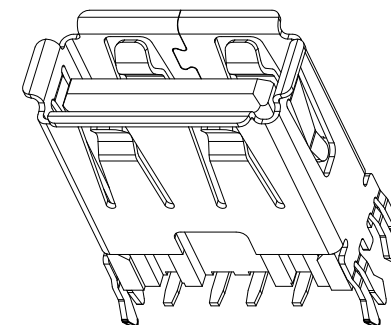
ELECTRICAL:

INSULATOR RESISTANCE: 1000 Mohms MIN. @ 500 VDC  
 WITHSTANDING VOLTAGE: 500 VAC / MINUTE  
 CONTACT RESISTANCE: 30 Mohms MAX.

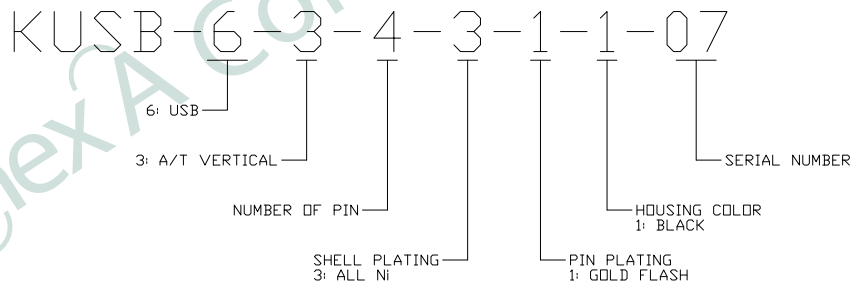
MECHANICAL:

MATING FORCE: 35N(3.43KGF) MAX.  
 UNMATING FORCE (WITHOUT LOCK): 10N(0.98KGF) MIN.  
 DURABILITY: 1500 CYCLE MIN.  
 CONTACT RETENTION FORCE: 4.2N(0.43KGF) MIN.

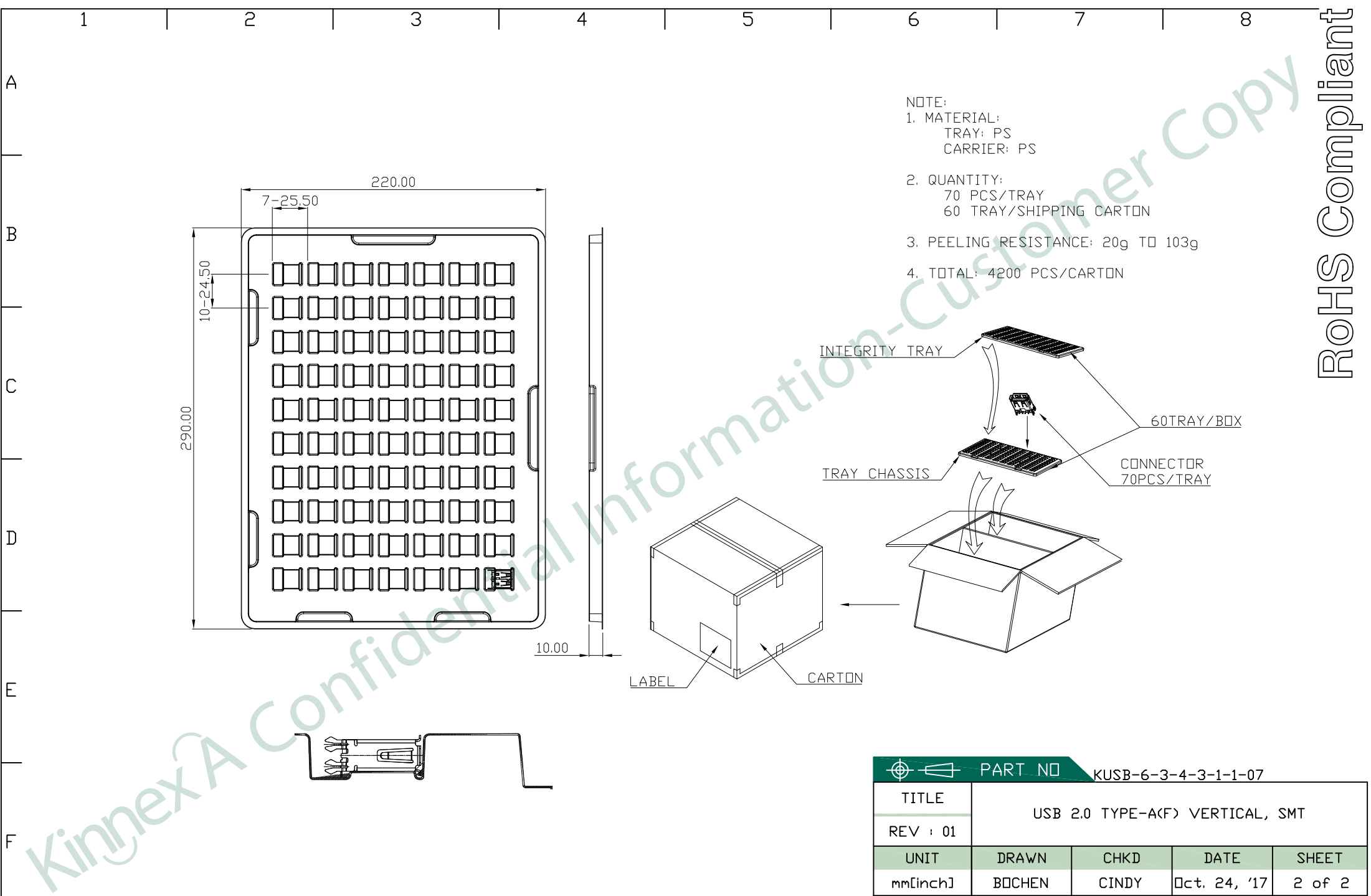
UNSPECIFIED TOLERANCE: .XX ±0.20  
 .X ±0.30



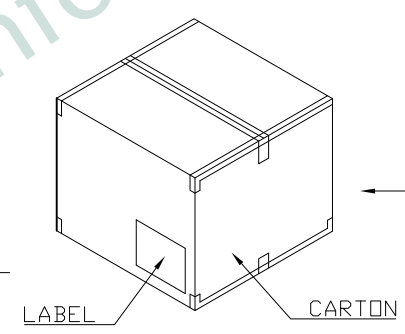
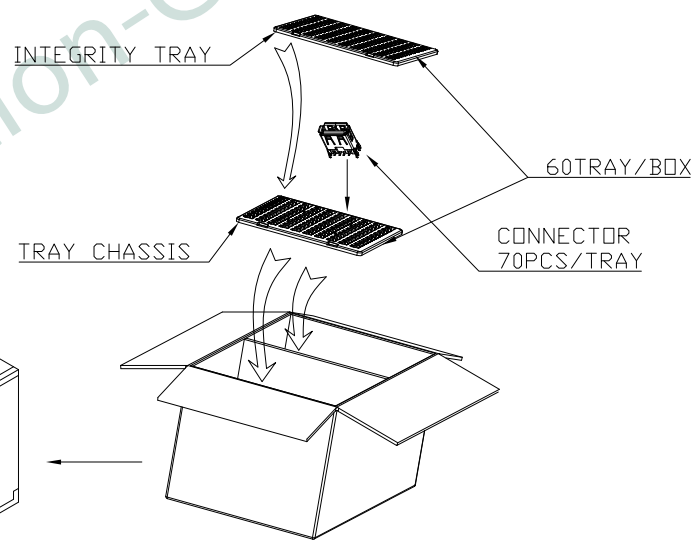
RECOMMENDED P.C.B. LAYOUT  
 ALL TOLERANCE: ±0.05mm



PART NO		KUSB-6-3-4-3-1-1-07		
TITLE	USB 2.0 TYPE-A(F) VERTICAL, SMT			
REV : 01				
UNIT	DRAWN	CHKD	DATE	SHEET
mm[inch]	BOCHEN	CINDY	Oct. 24, '17	1 of 2



NOTE:  
 1. MATERIAL:  
 TRAY: PS  
 CARRIER: PS  
 2. QUANTITY:  
 70 PCS/TRAY  
 60 TRAY/SHIPPING CARTON  
 3. PEELING RESISTANCE: 20g TO 103g  
 4. TOTAL: 4200 PCS/CARTON



PART NO		KUSB-6-3-4-3-1-1-07		
TITLE	USB 2.0 TYPE-A(F) VERTICAL, SMT			
REV : 01				
UNIT	DRAWN	CHKD	DATE	SHEET
mm[inch]	BOCHEN	CINDY	Oct. 24, '17	2 of 2