

1

2

3

4

5

A

B

C

D

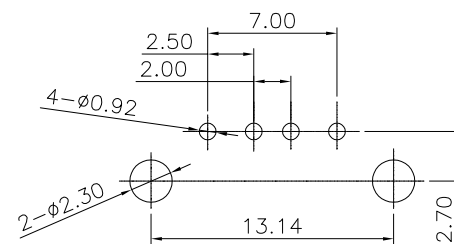
Specifications:
 Current Rating:1.5A AC/DC
 Voltage Rating:30V AC/DC
 Contact Resistance:30m ohm. Max.
 Insulation Resistance:1,000M ohm. min.
 Withstanding Voltage:500V AC For One Minute
 Operating Temperature Range:-55°C ~ +85°C

Material and Finish
 Insulator:PBT&PA9T(UL94V-0)
 Contact:Phosphor Bronze
 Plating:Gold Plated 1U" & 30u"
 Tin Plated on Solder Tail.
 Shell:Brass,Nickel Plated 100U"

PART
 NUMBER:
USB-A1HSXX

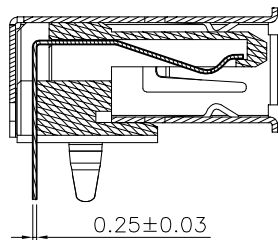
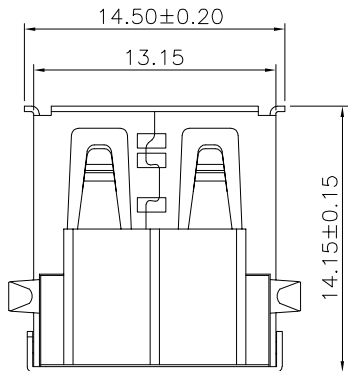
COLOR:
 B: Black
 W: White

PLATING:
 6: Selective Au Flash/50u" Ni
 8: Selective 30u" Au/50u" Ni (USB 2.0)

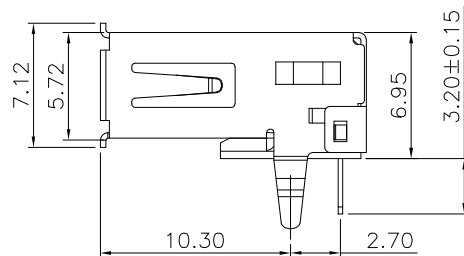
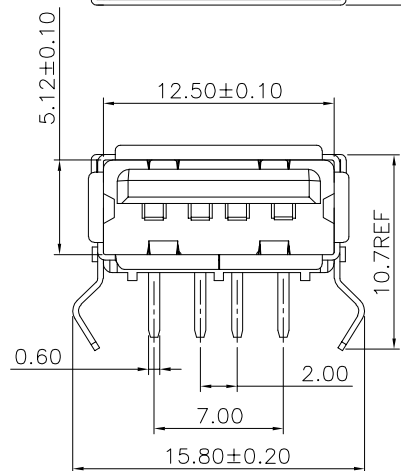


PCB LAYOUT

RoHS Compliant



SECTION A-A



DRAWN:
 Richie

CHECKED:
 Jeremy Liu

APPROVAL:
 Mike Wu

GENERAL TOLERANCE:
 .X=±0.20
 .XX=±0.15

UNIT: MM
 SCALE: 1:1
 SHEET: 1/2
 PROJECTION:

OST
 ON-SHORE TECHNOLOGY, INC.

DESCRIPTION:
 USB - A Type, Horixontal, thru hole

PART NO:
 USB-A1HSXX

REV	DATE	FILE	BY
B	25-Mar-2021		Ben
A	05-Nov-2010		Richie