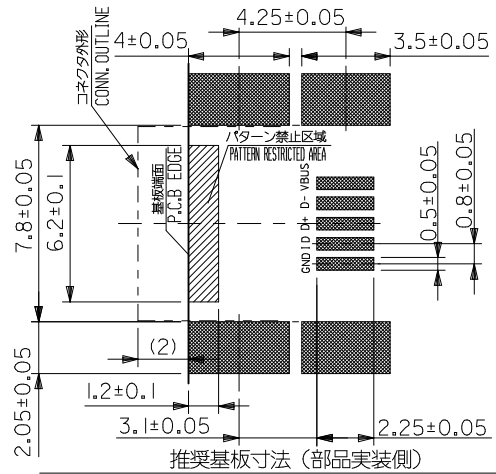


注記 1. 材質
 NOTES MATERIAL
 ハウジング: PA, ガラス充填, 灰色, UL94V-0
 HOUSING: PA, GLASS FILLED, GRAY, UL94V-0
 ターミナル: 銅合金 (t=0.2)
 TERMINAL: COPPER ALLOY (t=0.2)
 シールドケース: 銅合金 (t=0.4)
 SHIELD CASE: COPPER ALLOY (t=0.4)
 カバーテープ: ポリイミド (t=0.08)
 COVER TAPE: POLYIMIDE (t=0.08)

2. ヌッキ仕様
 PLATING
 ターミナル
 TERMINAL
 接点部: 金メッキ 0.76MICRO METER MIN.
 CONTACT AREA: GOLD 0.76MICRO METER MINIMUM.
 半田付け部: 錫メッキ 1.0MICRO METER MIN.
 SOLDER TAIL AREA: TIN 1.0MICRO METER MINIMUM.
 下地部: ニッケルメッキ 4.0MICRO METER MIN.
 UNDER PLATING: NICKEL 4.0MICRO METER MINIMUM.
 シールドケース
 SHIELD CASE
 : 錫メッキ 1.0MICRO METER MIN.
 : TIN 1.0MICRO METER MINIMUM.
 下地部: ニッケルメッキ 4.0MICRO METER MIN.
 UNDER PLATING: NICKEL 4.0MICRO METER MINIMUM.

3. テール、ネール平坦度は0.1mm MAX.
 TAIL, NAIL COPLANARITY 0.1mm MAX.

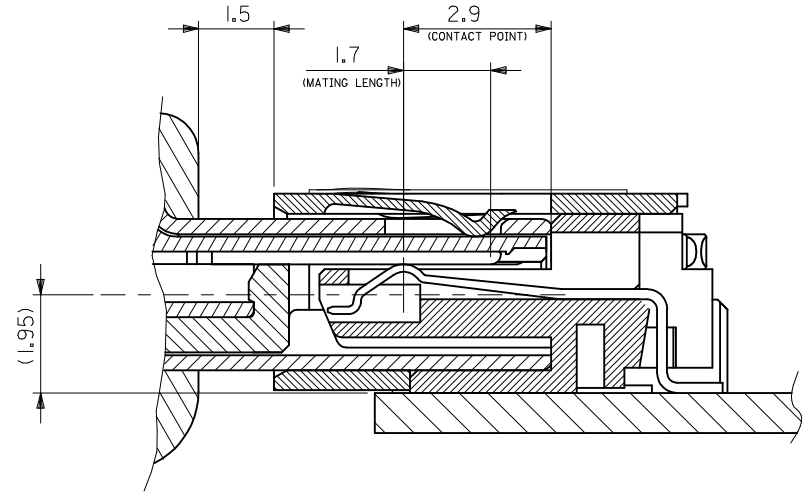
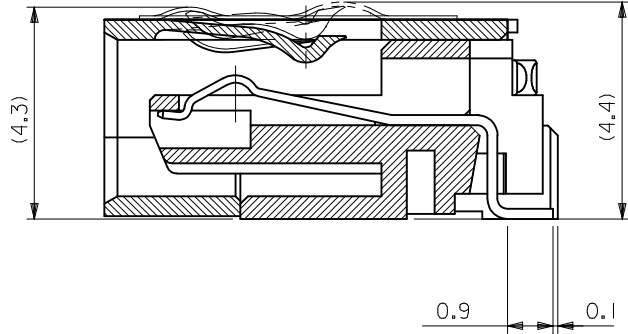
4. 本製品は56579-0571の鉛フリー品である。
 THIS PRODUCT IS LEAD FREE OF 56579-0571.



推奨基板寸法 (部品実装側)
 RECOMMENDED P.C.B. PATTERN LAYOUT (PART MOUNT SIDE)

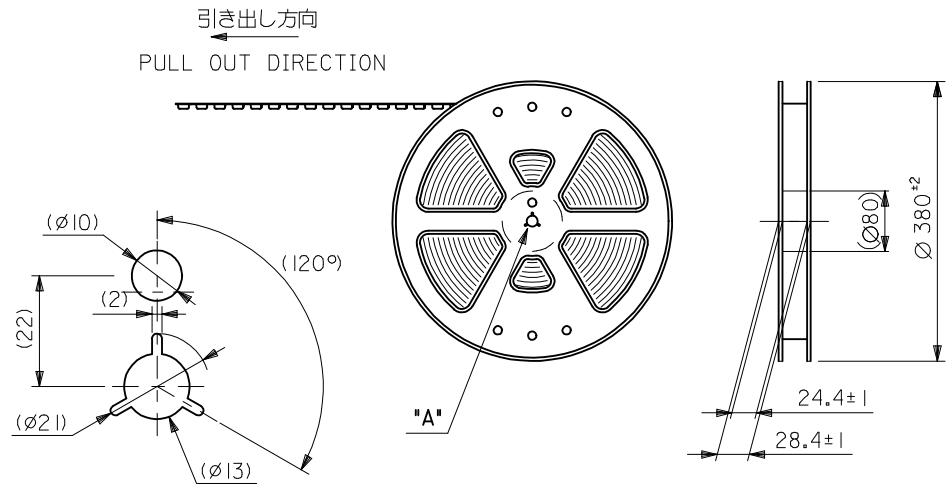
| | |
|----------------------|--------------|
| 56579-0576 | 56579-0579 |
| EMBOSSD TAPE | MATERIAL No. |
| ORDER No. | |
| MODEL No.56579-**-79 | |

| | | | | | | | |
|--|---|---|--------------------|---|------------------------------|---------------------|--|
| REVISED EC NO: J2009-1533 DRW: NESATO 2009/06/25 CHK: D: MATSUMOTO 2009/06/25 APPR: NUKITA 2009/06/25 REV A | DESCRIPTION GENERAL TOLERANCES (UNLESS SPECIFIED) 10 UNDER ±0.2 10 OVER 30 UNDER ±0.25 30 OVER ±0.3 ANGULAR ±3 ° DRAFT WHERE APPLICABLE MUST REMAIN WITHIN DIMENSIONS | DIMENSION STYLE MM ONLY | SCALE 10:1 | DESIGN UNITS METRIC | THIRD ANGLE PROJECTION | | |
| | | DRAWN BY M. NAGATA | DATE 2004/05/17 | TITLE USB SERIES MINI-AB RECH.S'G ASS'Y(SMT) -LEAD FREE- | | | |
| | | CHECKED BY K. TOJO | DATE 2004/05/17 | MOLEX INCORPORATED | | | |
| | | APPROVED BY M. SASAO | DATE 2004/05/17 | MATERIAL NO. SEE TABLE | DOCUMENT NO. SD-56579-015 | SHEET NO. 1 OF 2 | |
| | | THIS DRAWING CONTAINS INFORMATION THAT IS PROPRIETARY TO MOLEX INCORPORATED AND SHOULD NOT BE USED WITHOUT WRITTEN PERMISSION | | | | | |

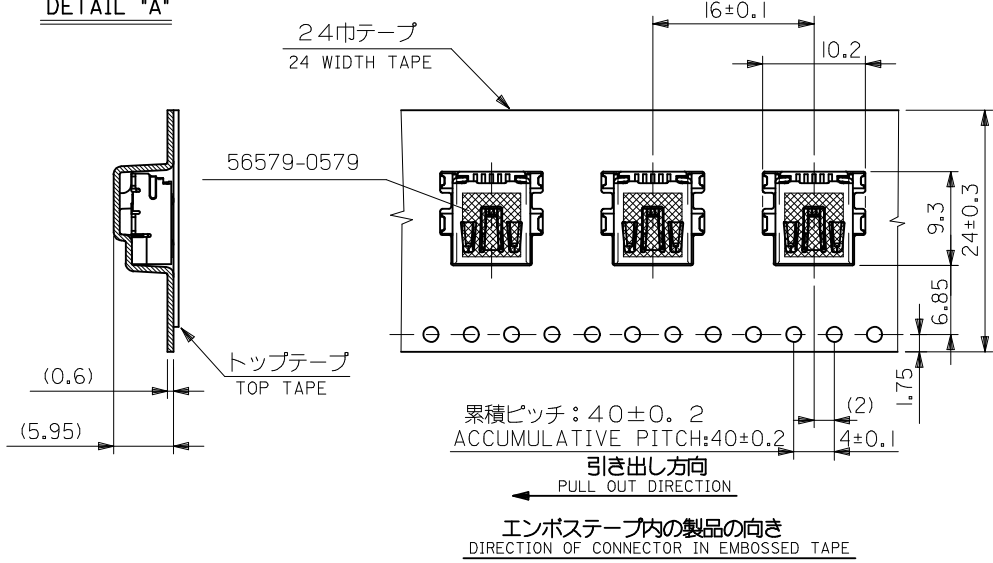


MODEL No.56579-**79

| | | | | | | | |
|--|--|--|----------------------------|--|---|------------------------------|---------------------|
| REVISED EC NO.: J2009-1533 DRW: NESATO 2009/06/25 CHK'D: MATSUMOTO 2009/06/25 APPR: NUKITA 2009/06/25 A | DESCRIPTION GENERAL TOLERANCES (UNLESS SPECIFIED) | 10 UNDER ±0.2 | DIMENSION STYLE MM ONLY | SCALE 10:1 | DESIGN UNITS METRIC | THIRD ANGLE PROJECTION | |
| | | 10 OVER 30 UNDER ±0.25 | DRAWN BY M. NAGATA | DATE 2004/05/17 | TITLE USB SERIES MINI-AB RECH.S'G ASS'Y(SMT) -LEAD FREE- | | |
| | | 30 OVER ±0.3 | CHECKED BY K. TOJO | DATE 2004/05/17 | MOLEX INCORPORATED | | |
| | | ANGULAR ±3 ° DRAFT WHERE APPLICABLE MUST REMAIN WITHIN DIMENSIONS | APPROVED BY M. SASAO | DATE 2004/05/17 | MATERIAL NO. SEE SHEET1 | DOCUMENT NO. SD-56579-015 | SHEET NO. 2 OF 2 |
| | | | SIZE A3 | THIS DRAWING CONTAINS INFORMATION THAT IS PROPRIETARY TO MOLEX INCORPORATED AND SHOULD NOT BE USED WITHOUT WRITTEN PERMISSION | | | |

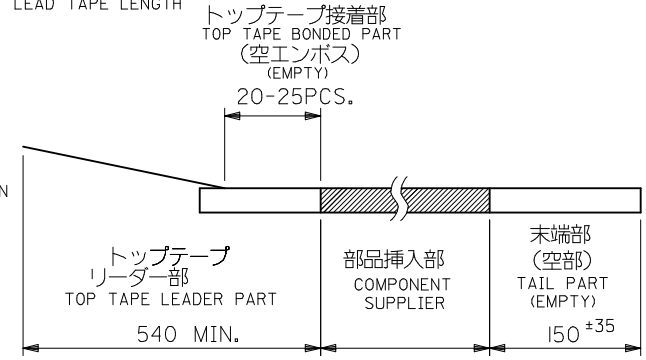


DETAIL "A"

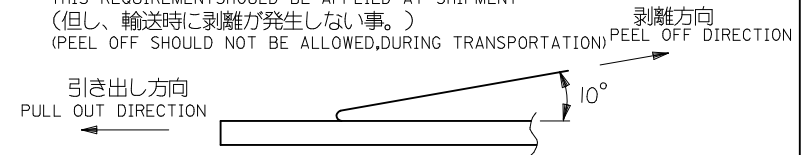


NOTES

- 56579-0579の詳細はSD-56579-015参照
IN THE PACKAGE PART NO.56579-0579 DETAILED, SEE SD-56579-015.
- 梱包数量: 800 個/リール
NUMBER OF CONNECTORS: 800 PCS/REEL
- リードテープ長さ
LEAD TAPE LENGTH



- トップテープの剥離強度: 0.1~1.3N/10 ~ 130gf)
(剥離方向は下図参照) キャリアテープ幅: 24mm
PEEL-OFF FORCE OF TOP TAPE: 0.1~1.3N/10 ~ 130gf)
(PEELING DIRECTION AS SHOWN IN FOLLOWING FIG.)
CARRIER TAPE WIDTH: 24mm
尚、本規格値は、出荷時に適用。
THIS REQUIREMENT SHOULD BE APPLIED AT SHIPMENT
(但し、輸送時に剥離が発生しない事。)
(PEEL OFF SHOULD NOT BE ALLOWED, DURING TRANSPORTATION)



- 材料
MATERIAL
キャリアテープ: ポリプロピレン POLYSTYRENE(PS)
CARRIER TAPE: POLYPROPYLENE
トップテープ: ポリエステル, ポリエチレン
TOP TAPE: POLYESTER, POLYETHYLENE
リール: ポリスチレン <リサイクル材を含む>
REEL: POLYSTYRENE <RECYCLE MATERIAL CONTAINED>
- 本製品は56579-0578の鉛フリー品である。
THIS PRODUCT IS LEAD FREE OF 56579-0578.

56579-0576
MATERIAL No.

MODEL No.56579-0576

| | | | | | | | | | | |
|---|-------------|--|-------|----------------------------|--------------------|--|------------------------|------------------------|--|--|
| REVISED EC NO: J2009-1142 DRWN:MTAKAZONO 2008/11/14 CHKD:HMATSUMOTO 2008/11/14 APPR:NIKIITA 2008/11/14 REV A | DESCRIPTION | GENERAL TOLERANCES (UNLESS SPECIFIED) | | DIMENSION STYLE MM ONLY | | SCALE 2:1 | DESIGN UNITS METRIC | THIRD ANGLE PROJECTION | | |
| | | 10 UNDER | ±0.2 | DRAWN BY MNAGATA | DATE 2004/05/17 | TITLE USB SERIES MINI-AB (SMT) EMBOSSED ASS'Y -LEAD FREE- | | | | |
| | | 10 OVER 30 UNDER | ±0.25 | CHECKED BY KTOJO | DATE 2004/05/17 | MOLEX INCORPORATED | | | | |
| | | 30 OVER | ±0.3 | APPROVED BY MSASAO | DATE 2004/05/17 | DOCUMENT NO. SD-56579-016 | | | | |
| ANGULAR ±3 ° | | DRAFT WHERE APPLICABLE MUST REMAIN WITHIN DIMENSIONS | | MATERIAL NO. SEE TABLE | | SHEET NO. 1 OF 1 | | | | |
| THIS DRAWING CONTAINS INFORMATION THAT IS PROPRIETARY TO MOLEX INCORPORATED AND SHOULD NOT BE USED WITHOUT WRITTEN PERMISSION | | | | | | | | | | |