

- NOTES:
- MATERIAL:
 - HOUSING: PBT+30%G.F UL94V-0,BLUE COLOR.
 - 5PIN CONTACTS: PHOSPHOR BRONZE.
 - 4PIN CONTACTS: BRASS
 - SHELL: SPCC
 - FINISH:
 - CONTACT:
 - CONTACT AREA: Au 15u"
 - SOLDER AREA: TIN PLATED
 - UNDER PLATE: NI PLATED
 - SHELL: NI PLATED
 - MECHANICAL:
 - MATING FORCE: 3.57kgf MAX.
 - UNMATING FORCE: 1.02kgf MIN
 - DURABILITY: 1500 CYCLES MIN
 - ELECTRICAL:
 - CURRENT RATING:1.0A.
 - DIELECTRIC STRENGTH: 500V AC FOR 1MINUTE.
 - CONTACT RESISTANCE: 30mΩ MAX.
 - INSULATION RESISTANCE: 100MΩ MIN
 - OPERATING TEMPERATURE: -55°C TO +85°C.

RoHS compliant
Unit: mm

Scale	FREE	⑤	Add page 3 of packing spec.	20.11.2018	Xavier		Date	Name	Customer-No.
TOLERANCE		④	Update insulator shape and dimensional	11.08.2017	Fred	Drawn	24.09.2014	Joanna	ASSMANN WSW-No. A-USBPA-3
.x	±0.38	③	Update drawing	11.09.2015	Joanna	Approved	11.08.2017	Fred	
.xx	±0.25	②	Change gold plated	16.07.2015	Joanna				
.xxx	±0.1	①	Add page 2	20.05.2015	Joanna				Drawing-No.
DIM	TOL	①	Drawn	24.09.2014	Joanna				ASS 6591 CO
Angle	TOL	Id.	Modification	Date	Name	Replace	Sheet	1/3	

1

2

3

4

5

6

7

A

A

B

B

C

C

D

D

E

E

F

F

G

G

H

H

Assembly process

RoHS compliant

Unit: mm

Scale	FREE	⑤	Add page 3 of packing spec.	20.11.2018	Xavier		Date	Name	Customer-No.
TOLERANCE		④	Update insulation shape and dimensional	11.08.2017	Fred	Drawn	24.09.2014	Joanna	ASSMANN WSW-No. A-USBPA-3
.x	±0.38	③	Update drawing	11.09.2015	Joanna	Approved	11.08.2017	Fred	
.xx	±0.25	②	Change gold plated	16.07.2015	Joanna				
.xxx	±0.1	①	Add page 2	20.05.2015	Joanna				Drawing-No.
DIM	TOL	①	Drawn	24.09.2014	Joanna				ASS 6591 CO
Angle	TOL	Id.	Modification	Date	Name	Replace	Sheet	2/3	

1

2

3

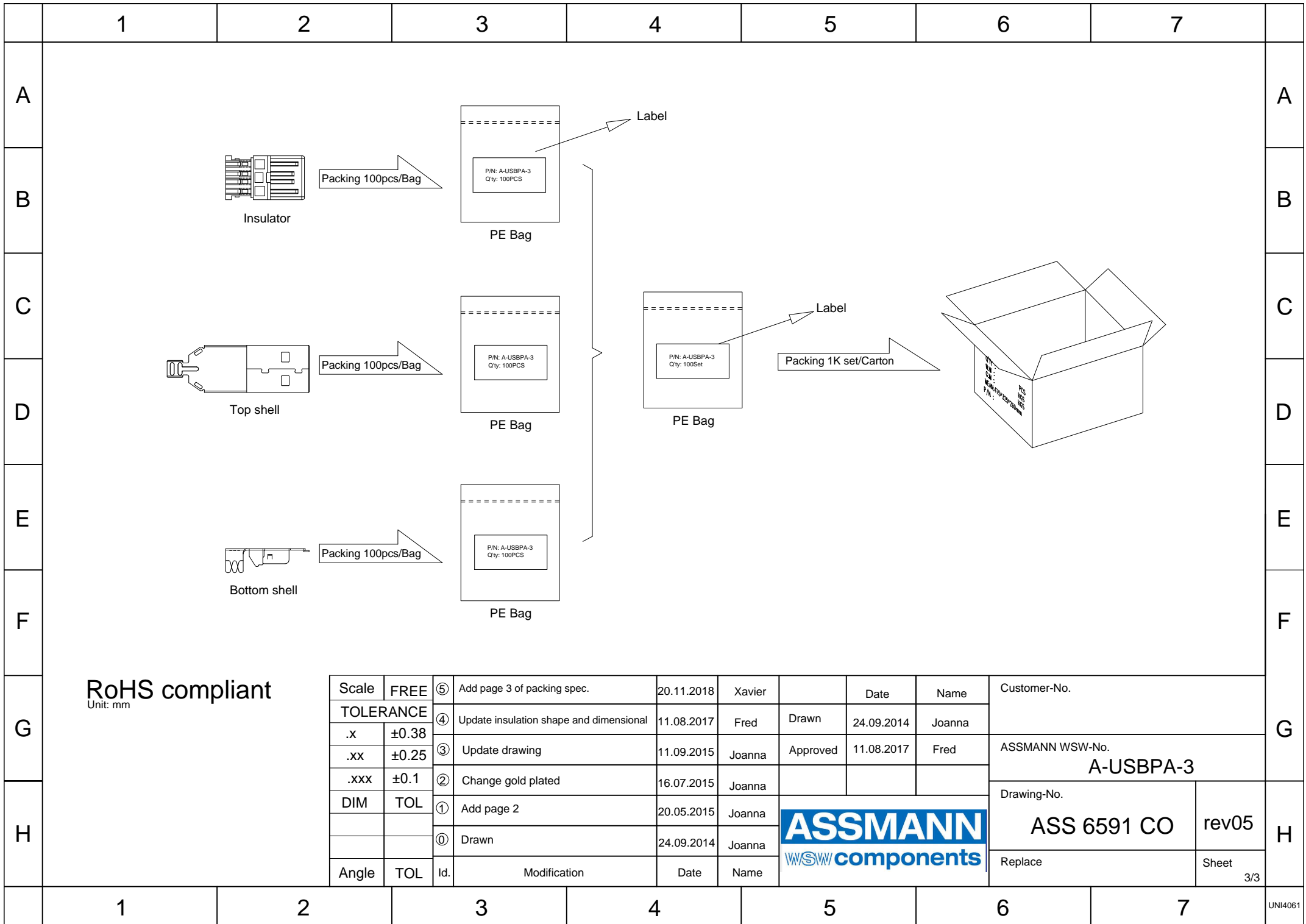
4

5


6

7

UNI4061



RoHS compliant
Unit: mm

Scale	FREE	⑤	Add page 3 of packing spec.	20.11.2018	Xavier		Date	Name	Customer-No.
TOLERANCE		④	Update insulation shape and dimensional	11.08.2017	Fred	Drawn	24.09.2014	Joanna	ASSMANN WSW-No. A-USBPA-3
.x	±0.38	③	Update drawing	11.09.2015	Joanna	Approved	11.08.2017	Fred	
.xx	±0.25	②	Change gold plated	16.07.2015	Joanna				
.xxx	±0.1	①	Add page 2	20.05.2015	Joanna				Drawing-No.
DIM	TOL	①	Drawn	24.09.2014	Joanna				ASS 6591 CO
Angle	TOL	Id.	Modification	Date	Name	Replace	Sheet	3/3	