

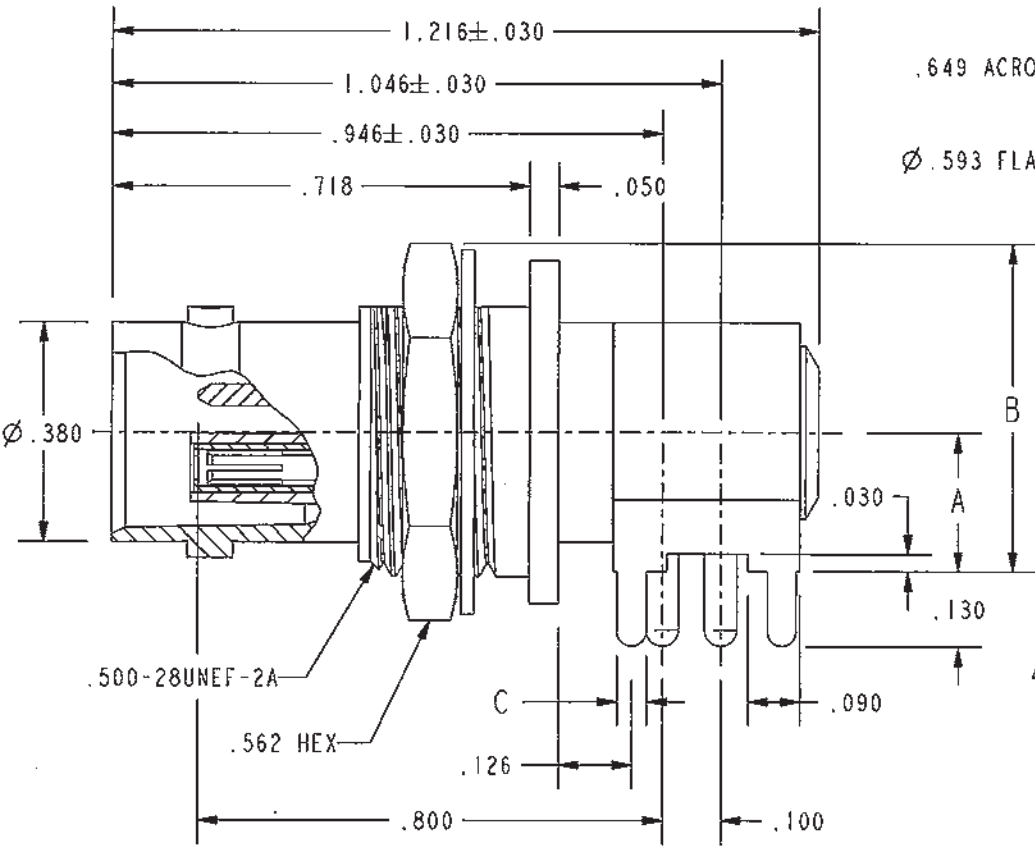
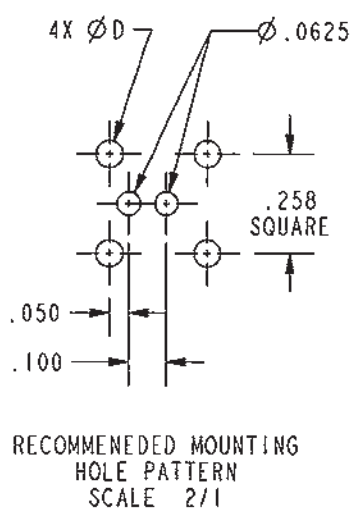
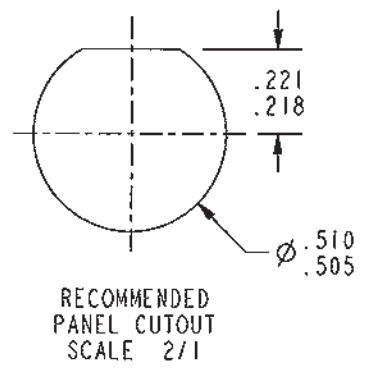
DATA CONTAINED IN THIS DOCUMENT IS PROPRIETARY TO TROMPETER ELECTRONICS INC. AND SHALL NOT BE DISCLOSED, COPIED OR USED FOR PROCUREMENT OR MANUFACTURE WITHOUT EXPRESS WRITTEN PERMISSION.

**REVISIONS**

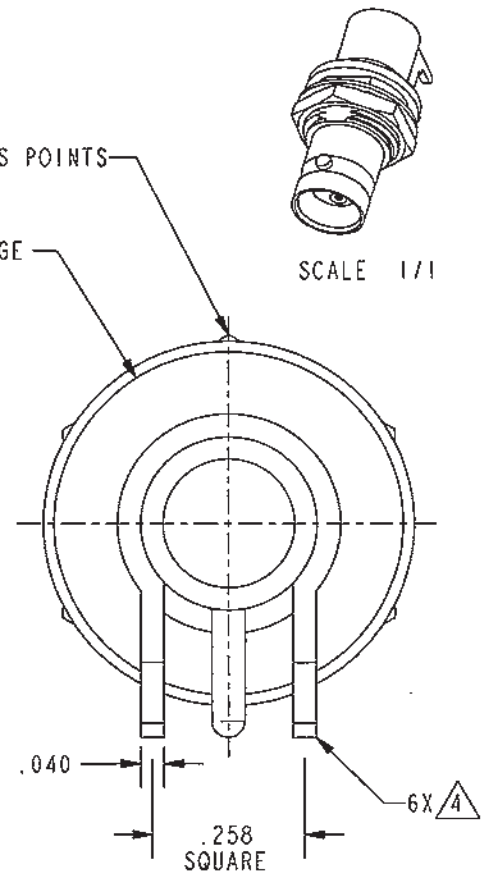
REV	DESCRIPTIONS	DATE	APPROVED
D	REVISED PER ECO 14776	10-29-02	[Signature]

MODEL	A	B ± .030	C	∅D ± .002
CBBJR39	.24	.565	.050	.075
CBBJR39A	.34	.665	.058	.082

**RED INDICATES ORIGINAL**



CBBJR39 SHOWN



- 4. TIN .0015 MAXIMUM THICKNESS WITH SN63 OR EQUIVALENT SOLDER PER QQ-S-571 TO WITHIN .060 MAXIMUM OF SHOULDER (ON SHROUD)
- 3. FINISH: TFS-1A (NICKEL)
- 2. MAX PANEL THICKNESS: .125
- 1. CONCENTRIC TWINAX TWO-PIN RIGHT ANGLE CIRCUIT BOARD AND BULKHEAD MOUNT RECEPTACLE

NOTES: UNLESS OTHERWISE SPECIFIED.

INTERPRET DRAWING PER MIL-STD-100. DIMENSIONS ARE IN INCHES AND INCLUDE FINISH THICKNESS UNLESS OTHERWISE SPECIFIED.

TOL: UNLESS SPECIFIED.  
.XX ± .02  
.XXX ± .010  
ANGLE ± 1°



DRN	JCM	10-25-02	MATERIAL:	TITLE:
CHKD	DD	10-25-02	FINISH:	CBBJR39/A
QUALITY	[Signature]	10/29/02	SEE NOTE 3	SIZE
MANUF	[Signature]	10/29/02	DO NOT SCALE DWG	CAGE CODE
APPROVED	[Signature]	10/25/02	SCALE	14949
PROVE FILE NO.	205-0069		DATE	205-0069
NEXT ASSY			SHEET	1C

DATE	10-29-02	DRAWING NO.	205-0069	REV.	D
DATE	9-27-91	SHEET	1C		