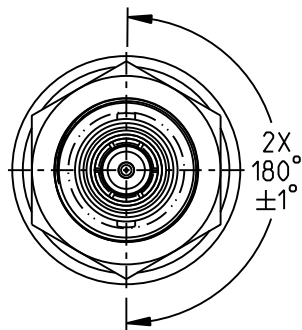
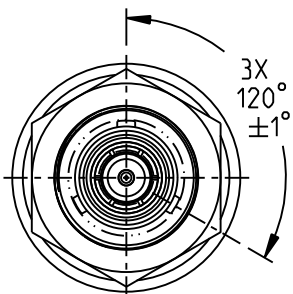


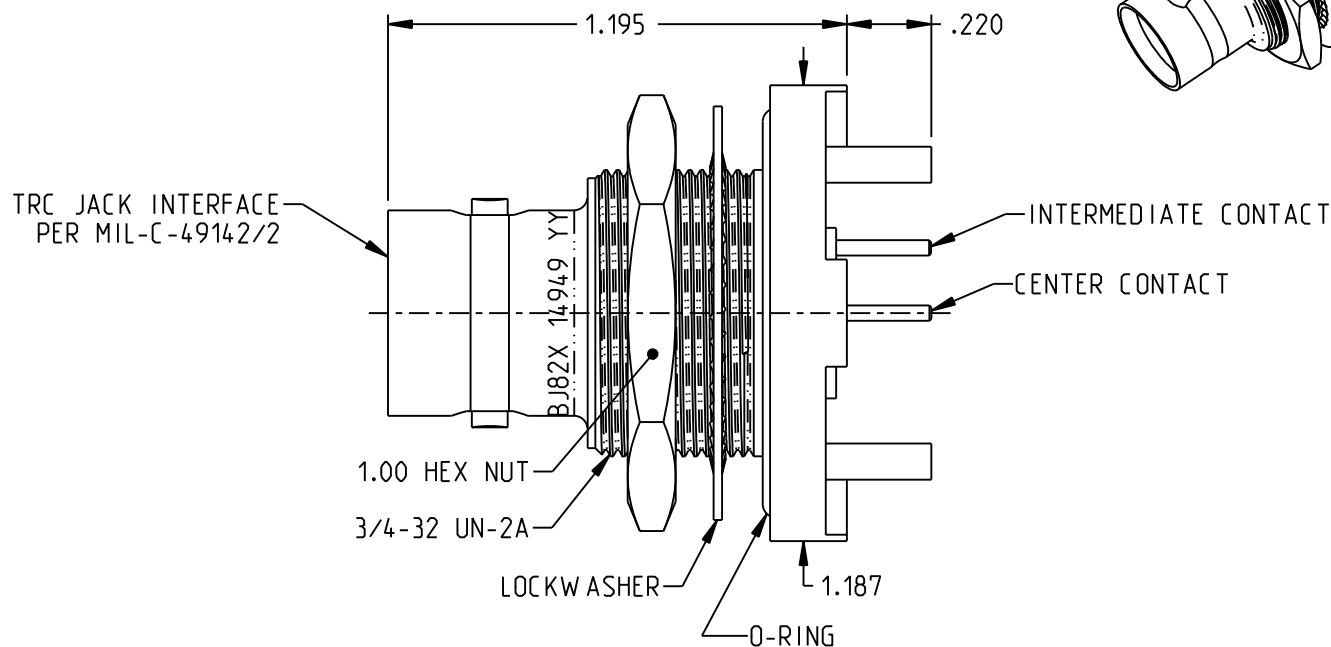
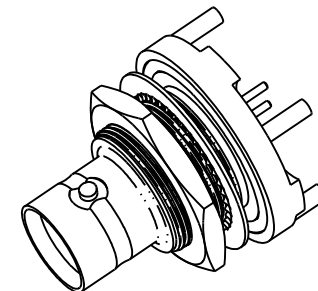
TROMPETER MODEL NO.
CBBJ82
CBBJ823



CBBJ82 SHOWN



CBBJ823 SHOWN



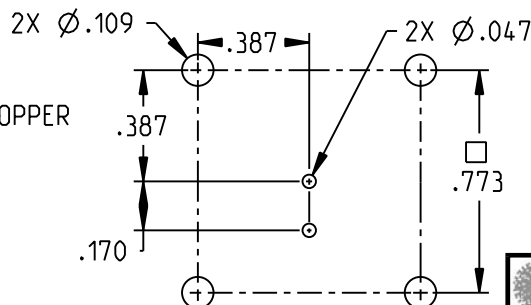
NOTES: UNLESS OTHERWISE SPECIFIED:

1. MATERIAL & FINISH:
 - 1.1 BODY: TIN PLATED BRASS
 - 1.2 INSULATOR & DIELECTRIC: PTFE (TEFLON)
 - 1.3 INTERMEDIATE CONTACT: GOLD PLATED BERYLLIUM COPPER
 - 1.4 CENTER CONTACT: GOLD PLATED BRASS
 - 1.5 O-RING: SILICONE RUBBER
 - 1.6 MOUNTING HARDWARE: TIN PLATED COPPER ALLOY

2. ELECTRICAL:
 - 2.1 FREQUENCY (MAX): 500 MHZ
 - 2.2 IMPEDANCE: NON-CONSTANT

3. PANEL NUT TORQUE (MAX): 50 INCH POUNDS

4. PANEL THICKNESS (MAX): .250



RECOMMENDED MTG HOLE PATTERN

	3RD ANGLE PROJECTION 	TROMPETER		
	RoHS2 <input checked="" type="checkbox"/> 2015/863/EU	Title: TRC BULKHEAD CIRCUIT BOARD JACK		
<small>NOTICE: The information in this drawing is PROPRIETARY and must not be used without the permission of Cinch Connectivity Solutions. It may contain data whose export is restricted. Verify status prior to exporting. INTERPRET DRAWING IN ACCORDANCE WITH ASME Y14.5-2018</small>	<small>UNLESS OTHERWISE SPECIFIED UNITS: INCH</small> .XX ±.02 .XXX ±.010 ANGLES ±2°	Model No. CBBJ82X		
Size A	DO NOT SCALE DRAWING	Date: 3/1/2022	Sheet 1 OF 1	