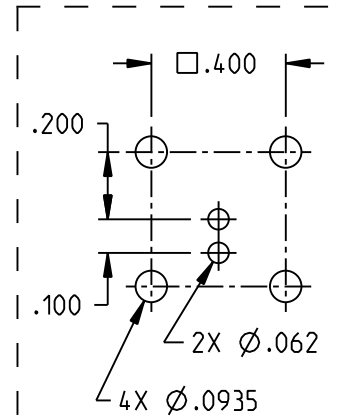
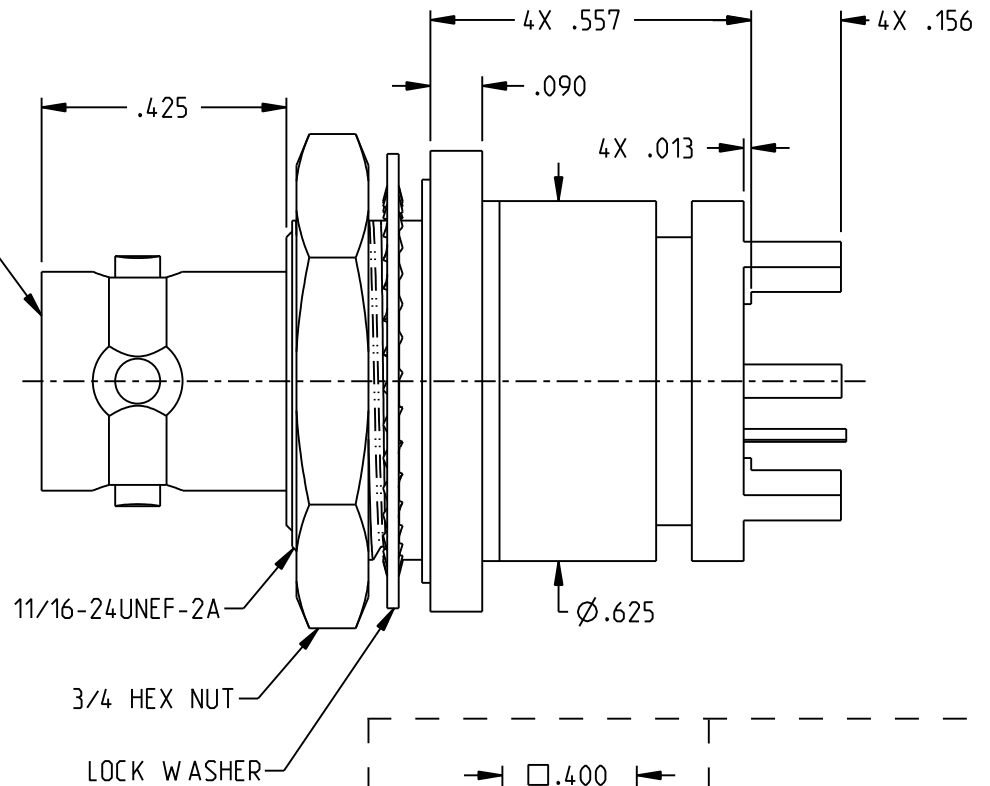
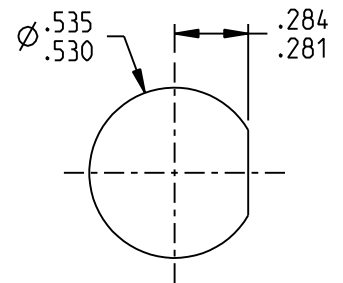


TRB JACK INTERFACE
PER MIL-STD-348
FIG. 201-2



RECOMMENDED
MTG HOLE PATTERN



RECOMMENDED
PANEL CUTOUT

NOTES: UNLESS OTHERWISE SPECIFIED.

1. MATERIAL & FINISH:
 - 1.1 BODY: TIN PLATED BRASS
 - 1.2 INSULATOR & DIELECTRIC: PTFE (TEFLON)
 - 1.3 INTERMEDIATE CONTACT: GOLD PLATED BRASS
 - 1.4 CENTER CONTACT: GOLD PLATED BERYLLIUM COPPER
 - 1.5 GASKET: SILICONE RUBBER
 - 1.6 MOUNTING HARDWARE: GOLD PLATED COPPER ALLOY

2. ELECTRICAL:
 - 2.1 FREQUENCY (MAX): 500 MHZ
 - 2.2 IMPEDANCE: NON-CONSTANT

3. PANEL NUT TORQUE (MAX): 35 INCH POUNDS

		TROMPETER	
		Title: TRB JACK, STRAIGHT, PC MT, BLKHD MT (REAR), INSULATED, 3 LUG	
NOTICE: The information in this drawing is PROPRIETARY and must not be used without the permission of Cinch Connectivity Solutions. It may contain data whose export is restricted. Verify status prior to exporting.		Model No.	CBBJ74
INTERPRET DRAWING IN ACCORDANCE WITH ASME Y14.5-2019		Size A	DO NOT SCALE DRAWING
UNLESS OTHERWISE SPECIFIED UNITS: INCH .XX ±.02 .XXX ±.005 ANGLES ±2°		Date: 9/21/2021	Sheet 1 OF 1