

HGTG12N60C3DR, HGTP12N60C3DR, HGT1S12N60C3DR, HGT1S12N60C3DRS

24A, 600V, Rugged, UFS Series N-Channel IGBT with Anti-Parallel Ultrafast Diode

February 1998

Features

- 24A, 600V at $T_C = 25^\circ\text{C}$
- 600V Switching SOA Capability
- Typical Fall Time at $T_J = 150^\circ\text{C}$ 250ns
- Short Circuit Rating at $T_J = 150^\circ\text{C}$ 10 μs
- Low Conduction Loss
- Ultrafast Anti-Parallel Diode
- Related Literature
 - TB334, "Guidelines for Soldering Surface Mount Components to PC Boards"

Ordering Information

| PART NUMBER | PACKAGE | BRAND |
|-----------------|----------|-----------|
| HGTP12N60C3DR | TO-220AB | 12N60CDR |
| HGT1S12N60C3DR | TO-262AA | 12N60CDR |
| HGT1S12N60C3DRS | TO-263AB | 12N60CDR |
| HGTG12N60C3DR | TO-247 | 12N60C3DR |

NOTE: When ordering, use the entire part number. Add the suffix 9A to obtain the TO-263AB variant in tape and reel, i.e., HGT1S12N60C3DRS9A.

Description

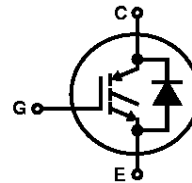
This family of IGBTs was designed for optimum performance in the demanding world of motor control operation as well as other high voltage switching applications. These devices demonstrate RUGGED performance capability when subjected to harsh SHORT CIRCUIT WITHSTAND TIME (SCWT) conditions. The parts have ULTRAFAST (UFS) switching speed while the on-state conduction losses have been kept at a low level.

The electrical specifications include typical Turn-On and Turn-Off dv/dt ratings. These ratings and the Turn-On ratings include the effect of the diode in the test circuit (Figure 17). The data was obtained with the diode at the same T_J as the IGBT under test. The diode used in anti-parallel with the IGBT is development type TA49213. The IGBT is development type TA49118.

Formerly development type TA49124.

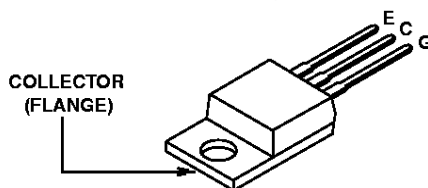
Terminal Diagram

N-CHANNEL ENHANCEMENT MODE

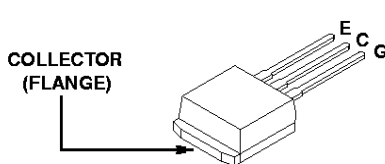


Packaging

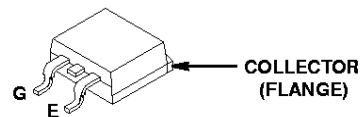
JEDEC TO-220AB (ALTERNATE VERSION)



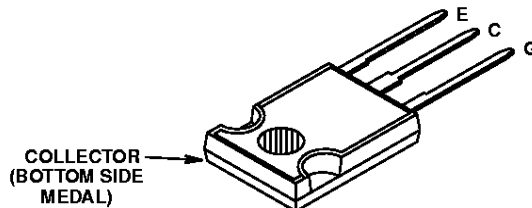
JEDEC TO-262AA



JEDEC TO-263AB



JEDEC TO-247AB



HARRIS SEMICONDUCTOR IGBT PRODUCT IS COVERED BY ONE OR MORE OF THE FOLLOWING U.S. PATENTS:

| | | | | | | | |
|-----------|-----------|-----------|-----------|-----------|-----------|-----------|-----------|
| 4,364,073 | 4,417,385 | 4,430,792 | 4,443,931 | 4,466,176 | 4,516,143 | 4,532,534 | 4,567,641 |
| 4,587,713 | 4,598,461 | 4,605,948 | 4,618,872 | 4,620,211 | 4,631,564 | 4,639,754 | 4,639,762 |
| 4,641,162 | 4,644,637 | 4,682,195 | 4,684,413 | 4,694,313 | 4,717,679 | 4,743,952 | 4,783,690 |
| 4,794,432 | 4,801,986 | 4,803,533 | 4,809,045 | 4,809,047 | 4,810,665 | 4,823,176 | 4,837,606 |
| 4,860,080 | 4,883,767 | 4,888,627 | 4,890,143 | 4,901,127 | 4,904,609 | 4,933,740 | 4,963,951 |
| 4,969,027 | | | | | | | |

HGTG12N60C3DR, HGTP12N60C3DR, HGT1S12N60C3DR, HGT1S12N60C3DRS

Absolute Maximum Ratings $T_C = 25^\circ\text{C}$, Unless Otherwise Specified

| | | | UNITS |
|--|----------------|-------------|---------------------|
| Collector to Emitter Voltage | BV_{CES} | 600 | V |
| Collector Current Continuous | | | |
| At $T_C = 25^\circ\text{C}$ | I_{C25} | 24 | A |
| At $T_C = 110^\circ\text{C}$ | I_{C110} | 12 | A |
| Collector Current Pulsed (Note 1) | I_{CM} | 48 | A |
| Gate to Emitter Voltage Continuous | V_{GES} | ± 20 | V |
| Gate to Emitter Voltage Pulsed | V_{GEM} | ± 30 | V |
| Switching Safe Operating Area at $T_C = 150^\circ\text{C}$ | SSOA | 48A at 600V | |
| Power Dissipation Total at $T_C = 25^\circ\text{C}$ | P_D | 104 | W |
| Power Dissipation Derating $T_C > 25^\circ\text{C}$ | | 0.83 | W/ $^\circ\text{C}$ |
| Operating and Storage Junction Temperature Range | T_J, T_{STG} | -55 to 150 | $^\circ\text{C}$ |
| Maximum Temperature for Soldering | | | |
| Leads at 0.063in (1.6mm) from Case for 10s | T_L | 300 | $^\circ\text{C}$ |
| Package Body for 10s, See Tech Brief 334 | T_{pkg} | 260 | $^\circ\text{C}$ |
| Short Circuit Withstand Time (Note 2) at $V_{GE} = 15\text{V}$ | t_{SC} | 10 | μs |

CAUTION: Stresses above those listed in "Absolute Maximum Ratings" may cause permanent damage to the device. This is a stress only rating and operation of the device at these or any other conditions above those indicated in the operational sections of this specification is not implied.

NOTES:

1. Repetitive Rating: Pulse width limited by maximum junction temperature.
2. $V_{CE(PK)} = 440\text{V}$, $T_J = 150^\circ\text{C}$, $R_{GE} = 25\Omega$.

Electrical Specifications $T_C = 25^\circ\text{C}$, Unless Otherwise Specified

| PARAMETER | SYMBOL | TEST CONDITIONS | MIN | TYP | MAX | UNITS |
|---|---------------|---|-----|-----|-----------|---------------|
| Collector to Emitter Breakdown Voltage | BV_{CES} | $I_C = 250\mu\text{A}$, $V_{GE} = 0\text{V}$ | 600 | - | - | V |
| Collector to Emitter Leakage Current | I_{CES} | $V_{CE} = BV_{CES}$ | - | - | 250 | μA |
| | | $V_{CE} = BV_{CES}$, $T_C = 150^\circ\text{C}$ | - | - | 1.0 | mA |
| Collector to Emitter Saturation Voltage | $V_{CE(SAT)}$ | $I_C = I_{C110}$, $V_{GE} = 15\text{V}$ | - | 1.9 | 2.2 | V |
| | | $I_C = I_{C110}$, $V_{GE} = 15\text{V}$, $T_C = 150^\circ\text{C}$ | - | 2.0 | 2.5 | V |
| Gate to Emitter Threshold Voltage | $V_{GE(TH)}$ | $I_C = 250\mu\text{A}$, $V_{CE} = V_{GE}$ | 4.5 | 6.1 | 7.5 | V |
| Gate to Emitter Leakage Current | I_{GES} | $V_{GE} = \pm 20\text{V}$ | - | - | ± 100 | nA |
| Switching SOA (See Figure 2) | SSOA | $T_J = 150^\circ\text{C}$, $R_G = 25\Omega$, $V_{GE} = 15\text{V}$ $V_{CE(PK)} = 600\text{V}$, $L = 100\mu\text{H}$ | 48 | - | - | A |
| Gate to Emitter Plateau Voltage | V_{GEP} | $I_C = I_{C110}$, $V_{CE} = 0.5 BV_{CES}$ | - | 9.7 | - | V |
| On-State Gate Charge | $Q_{g(ON)}$ | $I_C = I_{C110}$, $V_{CE} = 0.5 BV_{ES}$, $V_{GE} = 15\text{V}$ | - | 50 | 70 | nC |
| | | $I_C = I_{C110}$, $V_{CE} = 0.5 BV_{ES}$, $V_{GE} = 20\text{V}$ | - | 71 | 90 | nC |
| Current Turn-On Delay Time | $t_{d(ON)I}$ | $T_J = 25^\circ\text{C}$ $I_{CE} = I_{C110}$ $V_{CE(PK)} = 0.8 BV_{CES}$ $V_{GE} = 15\text{V}$ $R_G = 25\Omega$ $L = 1\text{mH}$ | - | 37 | - | ns |
| Current Rise Time | t_{rI} | | - | 37 | - | ns |
| Current Turn-Off Delay Time | $t_{d(OFF)I}$ | | - | 120 | 260 | ns |
| Current Fall Time | t_{fI} | | - | 110 | 160 | ns |
| Turn-On Energy (Note 4) | E_{ON} | Diode used in test circuit RURP1560 at 25°C | - | 400 | 450 | μJ |
| Turn-Off Energy (Note 5) | E_{OFF} | | | 340 | 700 | μJ |

HGTG12N60C3DR, HGTP12N60C3DR, HGT1S12N60C3DR, HGT1S12N60C3DRS

Electrical Specifications $T_C = 25^\circ\text{C}$, Unless Otherwise Specified (Continued)

| PARAMETER | SYMBOL | TEST CONDITIONS | MIN | TYP | MAX | UNITS |
|-------------------------------------|-----------------|--|-----|------|------|---------------------------|
| Current Turn-On Delay Time | $t_{d(ON)}$ | $T_J = 150^\circ\text{C}$ $I_{CE} = I_{C110}$ $V_{CE(PK)} = 0.8 V_{CES}$ $V_{GE} = 15\text{V}$ $R_G = 25\Omega$ $L = 1\text{mH}$ Diode used in test circuit RURP1560 at 150°C | - | 36 | - | ns |
| Current Rise Time | t_{r1} | | - | 38 | - | ns |
| Current Turn-Off Delay Time | $t_{d(OFF)}$ | | - | 290 | 500 | ns |
| Current Fall Time | t_{f1} | | - | 250 | 400 | ns |
| Turn-Off Voltage dv/dt (Note 3) | dV_{CE}/dt | | - | 2 | - | V/ns |
| Turn-On Voltage dv/dt (Note 3) | dV_{CE}/dt | | - | 10 | - | V/ns |
| Turn-On Energy (Note 4) | E_{ON} | | - | 0.83 | 0.91 | mJ |
| Turn-Off Energy (Note 5) | E_{OFF} | | - | 1.20 | 1.95 | mJ |
| Diode Forward Voltage | V_{EC} | $I_{EC} = 12\text{A}$ | - | 1.3 | 1.6 | V |
| Diode Reverse Recovery Time | t_{rr} | $I_{EC} = 1\text{A}, dI_{EC}/dt = 200\text{A}/\mu\text{s}$ | - | - | 35 | ns |
| | | $I_{EC} = 12\text{A}, dI_{EC}/dt = 200\text{A}/\mu\text{s}$ | - | - | 60 | ns |
| Thermal Resistance Junction to Case | $R_{\theta JC}$ | IGBT | - | - | 1.2 | $^\circ\text{C}/\text{W}$ |
| | | Diode | - | - | 1.75 | $^\circ\text{C}/\text{W}$ |

NOTES:

- dV_{CE}/dt depends on the diode used and the temperature of the diode.
- Turn-On Energy Loss (E_{ON}) includes losses due to the diode recovery and is defined as the integral of the instantaneous power loss starting at the leading edge of the input pulse and ending at the point where the collector voltage equals $V_{CE(ON)}$. This value of E_{ON} was obtained with a RURP1560 diode at $T_J = 150^\circ\text{C}$. A different diode or temperature will result in a different E_{ON} . For example with diode at $T_J = 25^\circ\text{C}$, E_{ON} is about one half the value of E_{ON} with diode at $T_J = 150^\circ\text{C}$.
- Turn-Off Energy Loss (E_{OFF}) is defined as the integral of the instantaneous power loss starting at the trailing edge of the input pulse and ending at the point where the collector current equals zero ($I_{CE} = 0\text{A}$). All devices were tested per JEDEC standard No. 24-1 Method for Measurement of Power Device Turn-Off Switching Loss. This test method produces the true total Turn-Off Energy Loss.

Typical Performance Curves

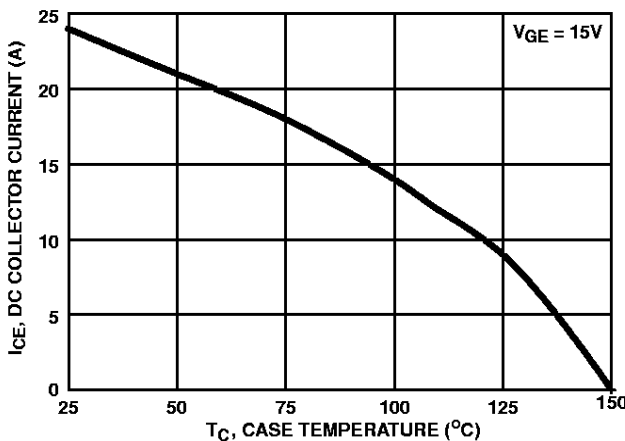


FIGURE 1. DC COLLECTOR CURRENT AS A FUNCTION OF CASE TEMPERATURE

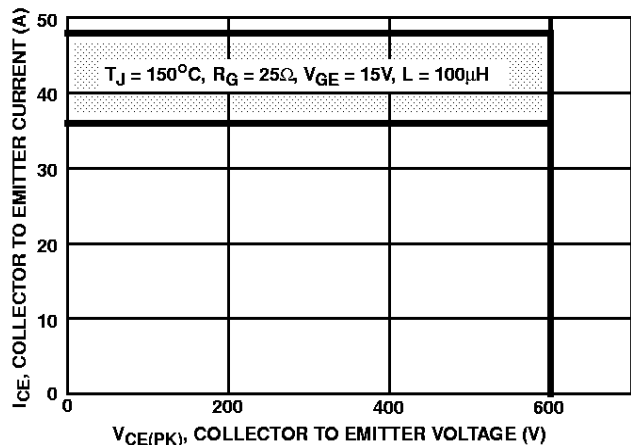


FIGURE 2. SWITCHING SAFE OPERATING AREAS

Typical Performance Curves (Continued)

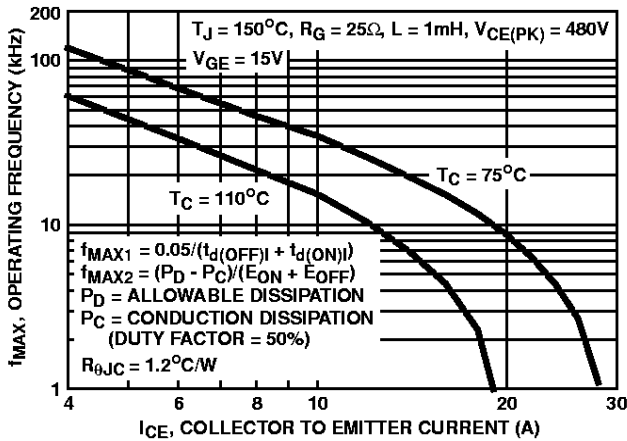


FIGURE 3. OPERATING FREQUENCY AS A FUNCTION OF COLLECTOR TO EMITTER CURRENT

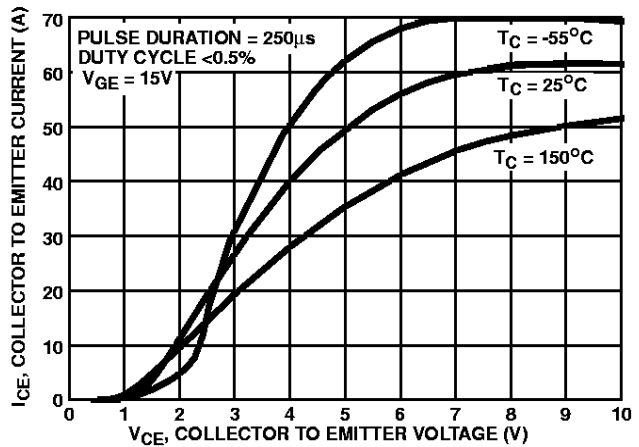


FIGURE 4. COLLECTOR TO EMITTER ON STATE VOLTAGE

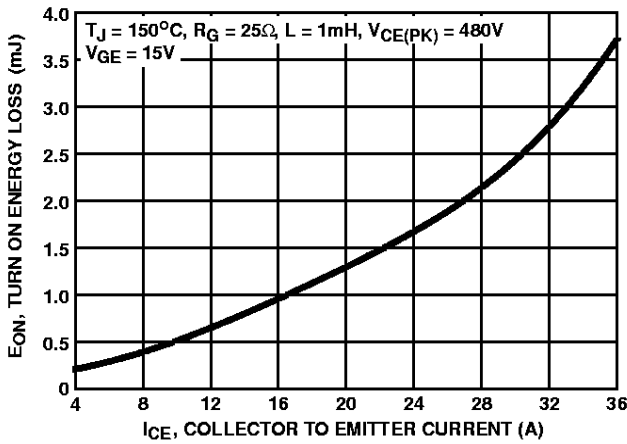


FIGURE 5. TURN ON ENERGY LOSS AS A FUNCTION OF COLLECTOR TO EMITTER CURRENT

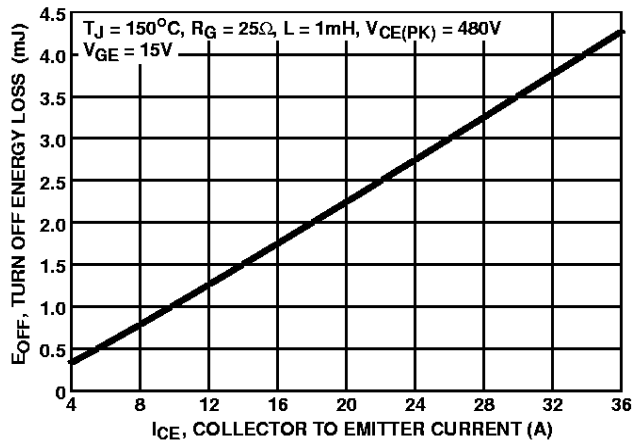


FIGURE 6. TURN OFF ENERGY LOSS AS A FUNCTION OF COLLECTOR TO EMITTER CURRENT

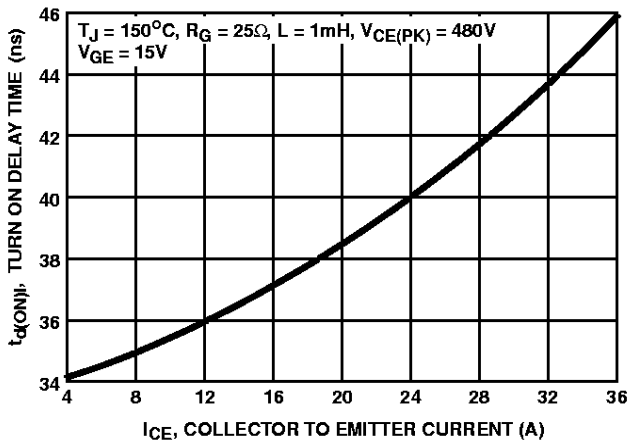


FIGURE 7. TURN ON DELAY TIME AS A FUNCTION OF COLLECTOR TO EMITTER CURRENT

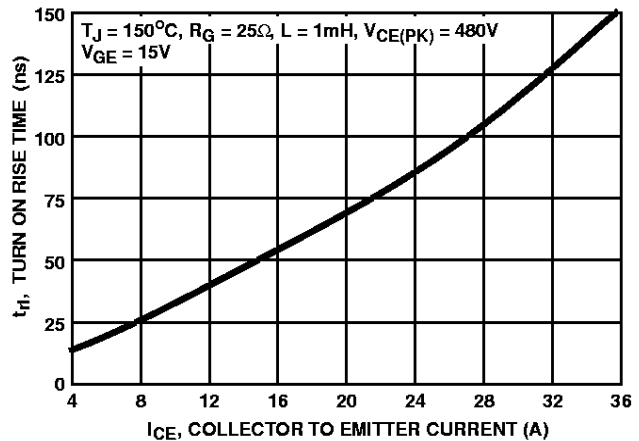


FIGURE 8. TURN ON RISE TIME AS A FUNCTION OF COLLECTOR TO EMITTER CURRENT

Typical Performance Curves (Continued)

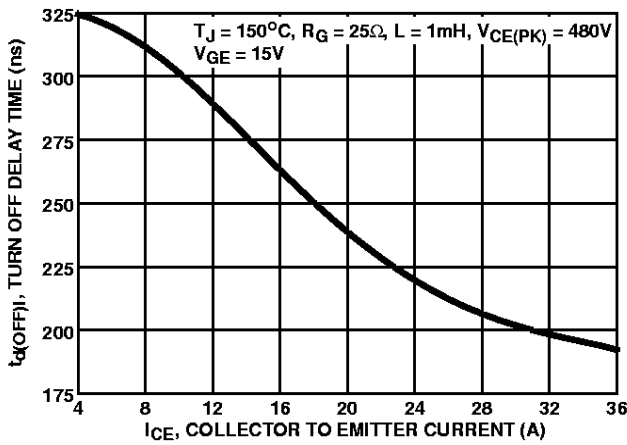


FIGURE 9. TURN OFF DELAY TIME AS A FUNCTION OF COLLECTOR TO EMITTER CURRENT

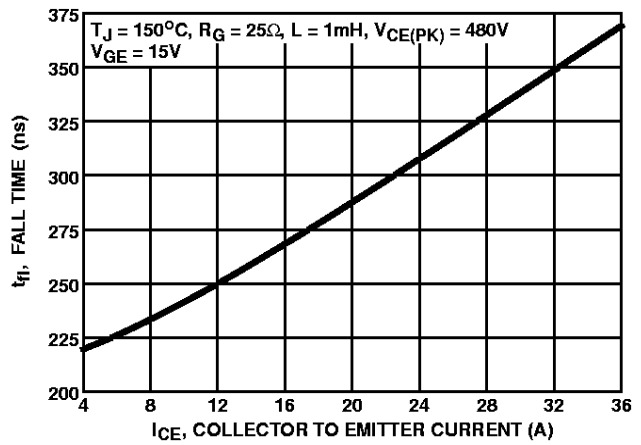


FIGURE 10. TURN OFF FALL TIME AS A FUNCTION OF COLLECTOR TO EMITTER CURRENT

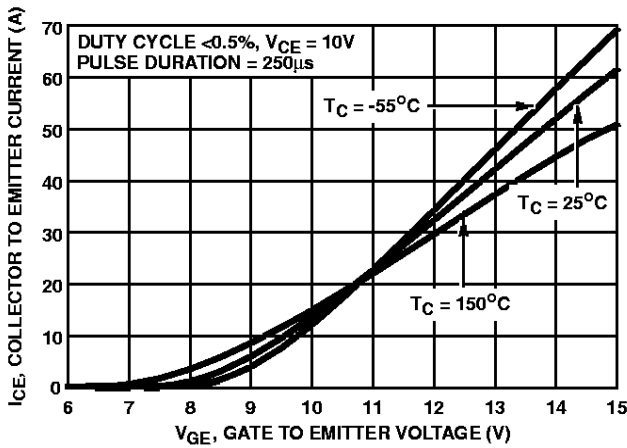


FIGURE 11. TRANSFER CHARACTERISTICS

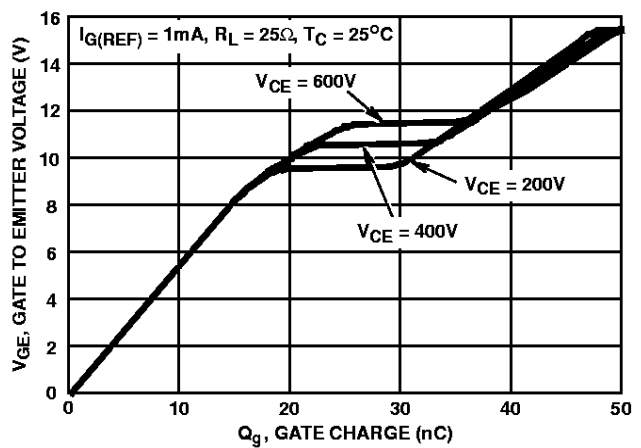


FIGURE 12. GATE CHARGE WAVEFORMS

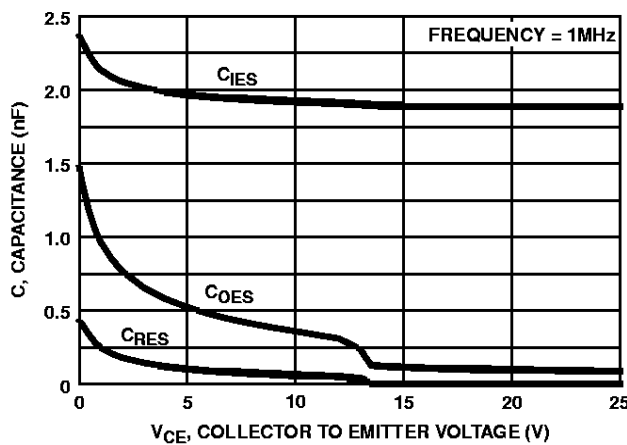


FIGURE 13. CAPACITANCE AS A FUNCTION OF COLLECTOR TO EMITTER VOLTAGE

Typical Performance Curves (Continued)

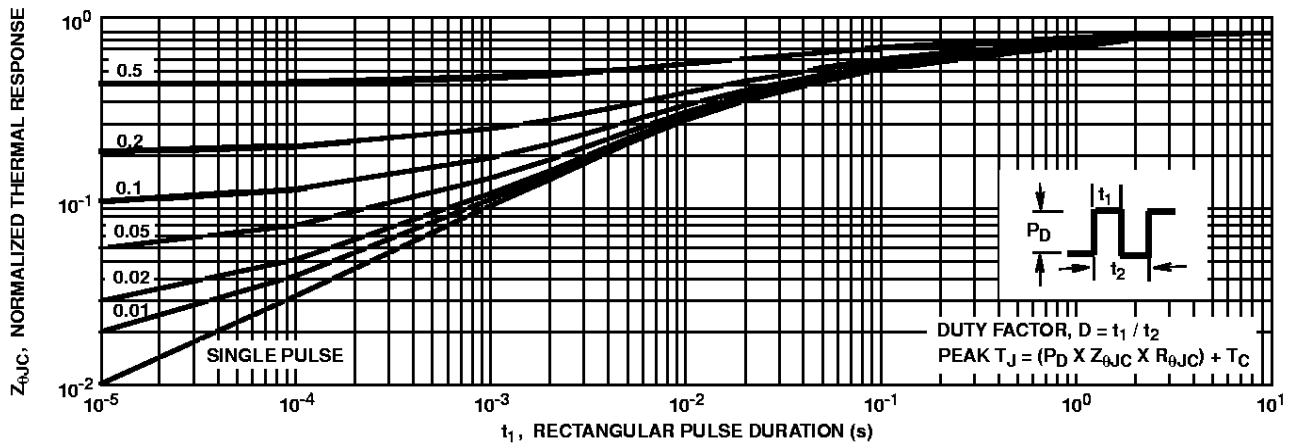


FIGURE 14. IGBT NORMALIZED TRANSIENT THERMAL RESPONSE, JUNCTION TO CASE

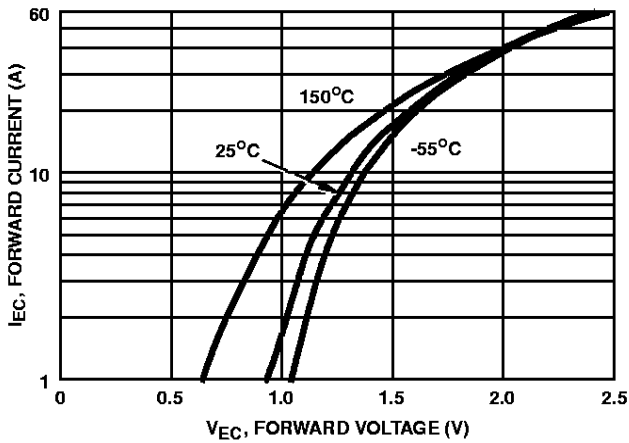


FIGURE 15. DIODE FORWARD CURRENT AS A FUNCTION OF FORWARD VOLTAGE DROP

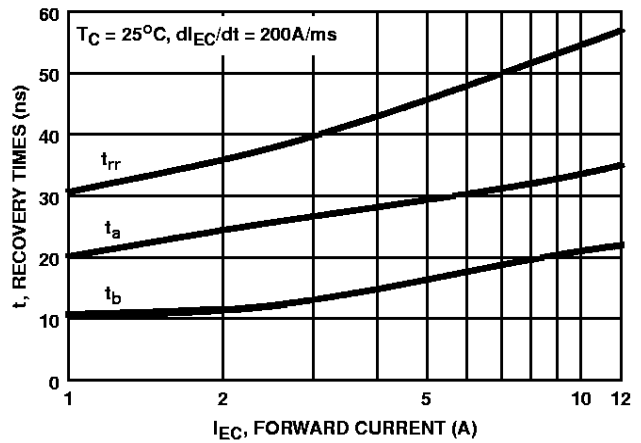


FIGURE 16. RECOVERY TIME AS A FUNCTION OF FORWARD CURRENT

Test Circuit and Waveforms

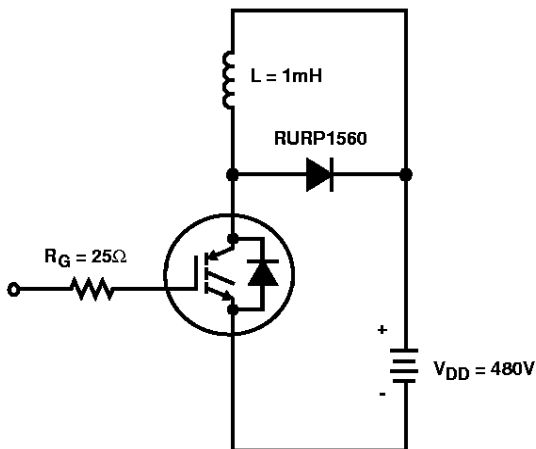


FIGURE 17. INDUCTIVE SWITCHING TEST CIRCUIT

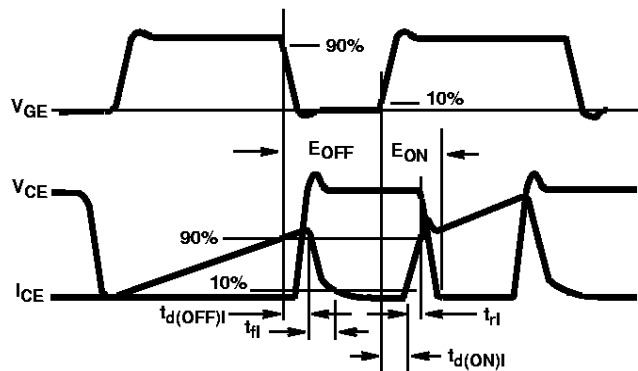


FIGURE 18. SWITCHING TEST WAVEFORMS

Handling Precautions for IGBTs

Insulated Gate Bipolar Transistors are susceptible to gate-insulation damage by the electrostatic discharge of energy through the devices. When handling these devices, care should be exercised to assure that the static charge built in the handler's body capacitance is not discharged through the device. With proper handling and application procedures, however, IGBTs are currently being extensively used in production by numerous equipment manufacturers in military, industrial and consumer applications, with virtually no damage problems due to electrostatic discharge. IGBTs can be handled safely if the following basic precautions are taken:

1. Prior to assembly into a circuit, all leads should be kept shorted together either by the use of metal shorting springs or by the insertion into conductive material such as "ECCOSORBD™ LD26" or equivalent.
2. When devices are removed by hand from their carriers, the hand being used should be grounded by any suitable means - for example, with a metallic wristband.
3. Tips of soldering irons should be grounded.
4. Devices should never be inserted into or removed from circuits with power on.
5. **Gate Voltage Rating** - Never exceed the gate-voltage rating of V_{GEM} . Exceeding the rated V_{GE} can result in permanent damage to the oxide layer in the gate region.
6. **Gate Termination** - The gates of these devices are essentially capacitors. Circuits that leave the gate open-circuited or floating should be avoided. These conditions can result in turn-on of the device due to voltage buildup on the input capacitor due to leakage currents or pickup.
7. **Gate Protection** - These devices do not have an internal monolithic zener diode from gate to emitter. If gate protection is required an external zener is recommended.

Operating Frequency Information

Operating frequency information for a typical device (Figure 3) is presented as a guide for estimating device performance for a specific application. Other typical frequency vs collector current (I_{CE}) plots are possible using the information shown for a typical unit in Figures 4, 5, 6, 7 and 9. The operating frequency plot (Figure 3) of a typical device shows f_{MAX1} or f_{MAX2} whichever is smaller at each point. The information is based on measurements of a typical device and is bounded by the maximum rated junction temperature.

f_{MAX1} is defined by $f_{MAX1} = 0.05 / (t_{d(OFF)I} + t_{d(ON)I})$. Dead-time (the denominator) has been arbitrarily held to 10% of the on-state time for a 50% duty factor. Other definitions are possible. $t_{d(OFF)I}$ and $t_{d(ON)I}$ are defined in Figure 18. Device turn-off delay can establish an additional frequency limiting condition for an application other than T_{JMAX} . $t_{d(OFF)}$ is important when controlling output ripple under a lightly loaded condition.

f_{MAX2} is defined by $f_{MAX2} = (P_D - P_C) / (E_{OFF} + E_{ON})$. The allowable dissipation (P_D) is defined by $P_D = (T_{JMAX} - T_C) / R_{\theta JC}$. The sum of device switching and conduction losses must not exceed P_D . A 50% duty factor was used (Figure 3) and the conduction losses (P_C) are approximated by $P_C = (V_{CE} \times I_{CE}) / 2$.

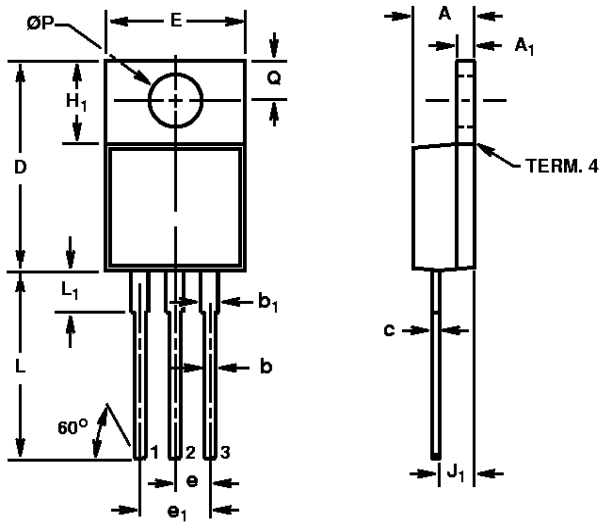
E_{ON} and E_{OFF} are defined in the switching waveforms shown in Figure 18. E_{ON} is the integral of the instantaneous power loss ($I_{CE} \times V_{CE}$) during turn-on and E_{OFF} is the integral of the instantaneous power loss ($I_{CE} \times V_{CE}$) during turn-off. All tail losses are included in the calculation for E_{OFF} ; i.e. the collector current equals zero ($I_{CE} = 0$).

ECCOSORBD™ is a trademark Emerson and Cumming, Inc.

HGTG12N60C3DR, HGTP12N60C3DR, HGT1S12N60C3DR, HGT1S12N60C3DRS

TO-220AB (Alternate Version)

3 LEAD JEDEC TO-220AB PLASTIC PACKAGE



- LEAD NO. 1 - GATE
- LEAD NO. 2 - COLLECTOR
- LEAD NO. 3 - EMITTER
- TERM. 4 - COLLECTOR

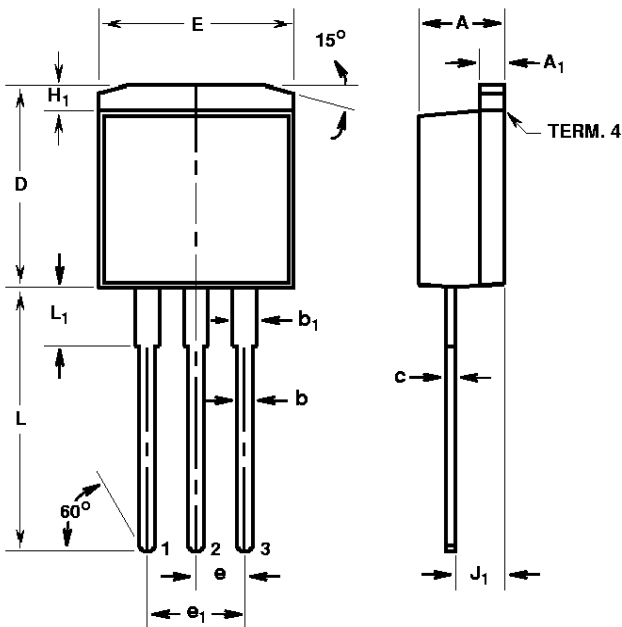
| SYMBOL | INCHES | | MILLIMETERS | | NOTES |
|----------------|-----------|-------|-------------|-------|-------|
| | MIN | MAX | MIN | MAX | |
| A | 0.170 | 0.180 | 4.32 | 4.57 | - |
| A ₁ | 0.048 | 0.052 | 1.22 | 1.32 | 2, 4 |
| b | 0.030 | 0.034 | 0.77 | 0.86 | 2, 4 |
| b ₁ | 0.045 | 0.055 | 1.15 | 1.39 | 2, 4 |
| c | 0.018 | 0.022 | 0.46 | 0.55 | 2, 4 |
| D | 0.590 | 0.610 | 14.99 | 15.49 | - |
| E | 0.395 | 0.405 | 10.04 | 10.28 | - |
| e | 0.100 TYP | | 2.54 TYP | | 5 |
| e ₁ | 0.200 BSC | | 5.08 BSC | | 5 |
| H ₁ | 0.235 | 0.255 | 5.97 | 6.47 | - |
| J ₁ | 0.095 | 0.105 | 2.42 | 2.66 | 6 |
| L | 0.530 | 0.550 | 13.47 | 13.97 | - |
| L ₁ | 0.110 | 0.130 | 2.80 | 3.30 | 3 |
| ØP | 0.149 | 0.153 | 3.79 | 3.88 | - |
| Q | 0.105 | 0.115 | 2.66 | 2.92 | - |

NOTES:

1. These dimensions are within allowable dimensions of Rev. J of JEDEC TO-220AB outline dated 3-24-87.
2. Dimension (without solder).
3. Solder finish uncontrolled in this area.
4. Add typically 0.002 inches (0.05mm) for solder plating.
5. Position of lead to be measured 0.250 inches (6.35mm) from bottom of dimension D.
6. Position of lead to be measured 0.100 inches (2.54mm) from bottom of dimension D.
7. Controlling dimension: Inch.
8. Revision 3 dated 7-97.

HGTG12N60C3DR, HGTP12N60C3DR, HGT1S12N60C3DR, HGT1S12N60C3DRS

TO-262AA 3 LEAD JEDEC TO-262AA PLASTIC PACKAGE

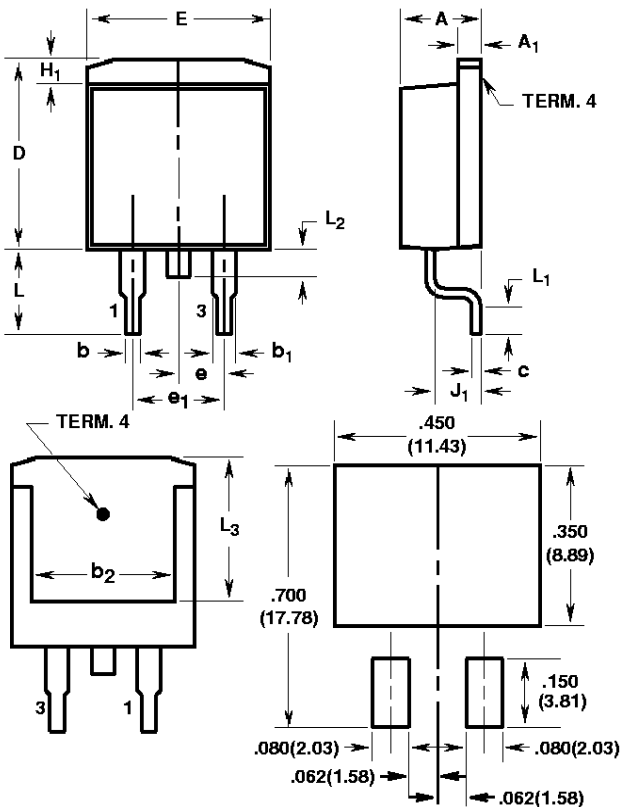


| SYMBOL | INCHES | | MILLIMETERS | | NOTES |
|----------------|-----------|-------|-------------|-------|-------|
| | MIN | MAX | MIN | MAX | |
| A | 0.170 | 0.180 | 4.32 | 4.57 | - |
| A ₁ | 0.048 | 0.052 | 1.22 | 1.32 | 3, 4 |
| b | 0.030 | 0.034 | 0.77 | 0.86 | 3, 4 |
| b ₁ | 0.045 | 0.055 | 1.15 | 1.39 | 3, 4 |
| c | 0.018 | 0.022 | 0.46 | 0.55 | 3, 4 |
| D | 0.405 | 0.425 | 10.29 | 10.79 | - |
| E | 0.395 | 0.405 | 10.04 | 10.28 | - |
| e | 0.100 TYP | | 2.54 TYP | | 5 |
| e ₁ | 0.200 BSC | | 5.08 BSC | | 5 |
| H ₁ | 0.045 | 0.055 | 1.15 | 1.39 | - |
| J ₁ | 0.095 | 0.105 | 2.42 | 2.66 | 6 |
| L | 0.530 | 0.550 | 13.47 | 13.97 | - |
| L ₁ | 0.110 | 0.130 | 2.80 | 3.30 | 2 |

NOTES:

1. These dimensions are within allowable dimensions of Rev. A of JEDEC TO-262AA outline dated 6-90.
2. Solder finish uncontrolled in this area.
3. Dimension (without solder).
4. Add typically 0.002 inches (0.05mm) for solder plating.
5. Position of lead to be measured 0.250 inches (6.35mm) from bottom of dimension D.
6. Position of lead to be measured 0.100 inches (2.54mm) from bottom of dimension D.
7. Controlling dimension: Inch.
8. Revision 5 dated 7-97.

TO-263AB SURFACE MOUNT JEDEC TO-263AB PLASTIC PACKAGE



| SYMBOL | INCHES | | MILLIMETERS | | NOTES |
|----------------|-----------|-------|-------------|-------|-------|
| | MIN | MAX | MIN | MAX | |
| A | 0.170 | 0.180 | 4.32 | 4.57 | - |
| A ₁ | 0.048 | 0.052 | 1.22 | 1.32 | 4, 5 |
| b | 0.030 | 0.034 | 0.77 | 0.86 | 4, 5 |
| b ₁ | 0.045 | 0.055 | 1.15 | 1.39 | 4, 5 |
| b ₂ | 0.310 | - | 7.88 | - | 2 |
| c | 0.018 | 0.022 | 0.46 | 0.55 | 4, 5 |
| D | 0.405 | 0.425 | 10.29 | 10.79 | - |
| E | 0.395 | 0.405 | 10.04 | 10.28 | - |
| e | 0.100 TYP | | 2.54 TYP | | 7 |
| e ₁ | 0.200 BSC | | 5.08 BSC | | 7 |
| H ₁ | 0.045 | 0.055 | 1.15 | 1.39 | - |
| J ₁ | 0.095 | 0.105 | 2.42 | 2.66 | - |
| L | 0.175 | 0.195 | 4.45 | 4.95 | - |
| L ₁ | 0.090 | 0.110 | 2.29 | 2.79 | 4, 6 |
| L ₂ | 0.050 | 0.070 | 1.27 | 1.77 | 3 |
| L ₃ | 0.315 | - | 8.01 | - | 2 |

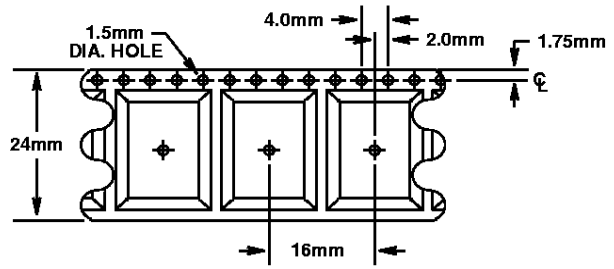
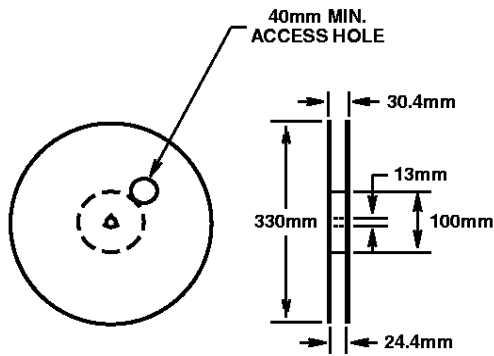
NOTES:

9. These dimensions are within allowable dimensions of Rev. C of JEDEC TO-263AB outline dated 2-92.
10. L₃ and b₂ dimensions established a minimum mounting surface for terminal 4.
11. Solder finish uncontrolled in this area.
12. Dimension (without solder).
13. Add typically 0.002 inches (0.05mm) for solder plating.
14. L₁ is the terminal length for soldering.
15. Position of lead to be measured 0.120 inches (3.05mm) from bottom of dimension D.
16. Controlling dimension: Inch.
17. Revision 8 dated 7-97.

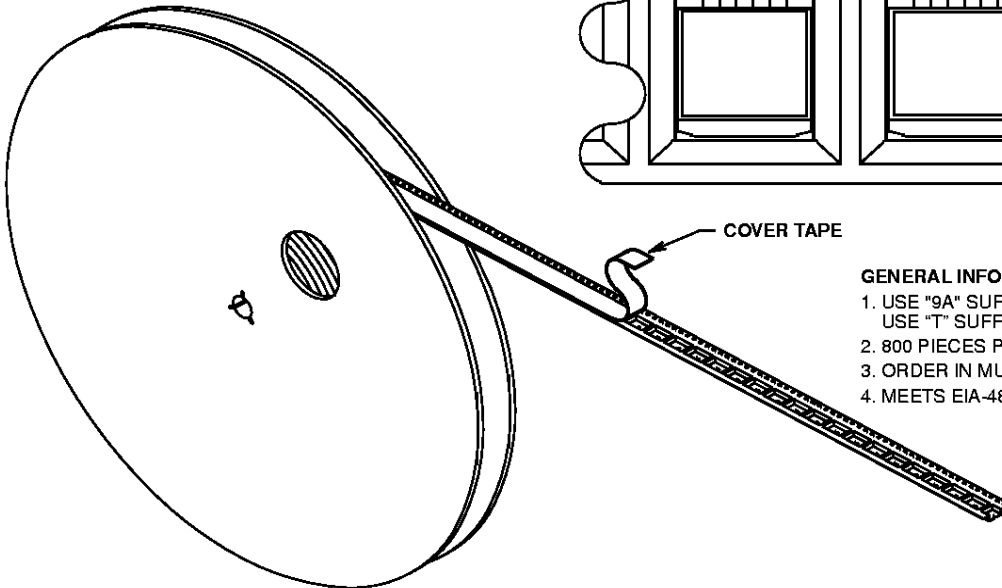
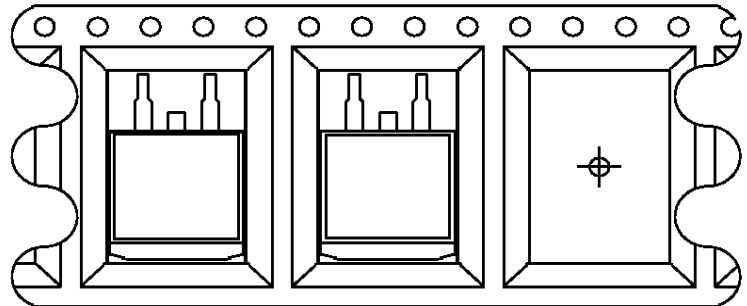
MINIMUM PAD SIZE RECOMMENDED FOR SURFACE-MOUNTED APPLICATIONS

TO-263AB

24mm TAPE AND REEL



USER DIRECTION OF FEED



GENERAL INFORMATION

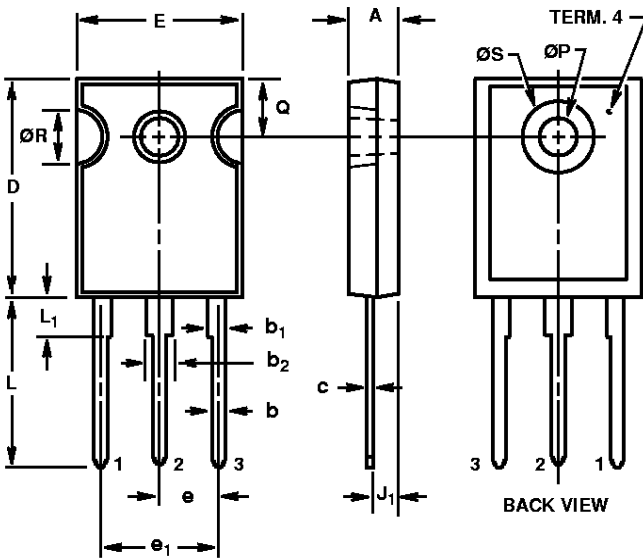
1. USE "9A" SUFFIX ON PART NUMBER.
USE "T" SUFFIX ON PART FOR "HUF" SERIES.
2. 800 PIECES PER REEL.
3. ORDER IN MULTIPLES OF FULL REELS ONLY.
4. MEETS EIA-481 REVISION "A" SPECIFICATIONS.

Revision 8 dated 7-97

HGTG12N60C3DR, HGTP12N60C3DR, HGT1S12N60C3DR, HGT1S12N60C3DRS

TO-247

3 LEAD JEDEC STYLE TO-247 PLASTIC PACKAGE



- LEAD 1 - GATE
- LEAD 2 - COLLECTOR
- LEAD 3 - SOURCE
- TERM. 4 - COLLECTOR

| SYMBOL | INCHES | | MILLIMETERS | | NOTES |
|----------------|-----------|-------|-------------|-------|---------|
| | MIN | MAX | MIN | MAX | |
| A | 0.180 | 0.190 | 4.58 | 4.82 | - |
| b | 0.046 | 0.051 | 1.17 | 1.29 | 2, 3 |
| b ₁ | 0.060 | 0.070 | 1.53 | 1.77 | 1, 2 |
| b ₂ | 0.095 | 0.105 | 2.42 | 2.66 | 1, 2 |
| c | 0.020 | 0.026 | 0.51 | 0.66 | 1, 2, 3 |
| D | 0.800 | 0.820 | 20.32 | 20.82 | - |
| E | 0.605 | 0.625 | 15.37 | 15.87 | - |
| e | 0.219 TYP | | 5.56 TYP | | 4 |
| e ₁ | 0.438 BSC | | 11.12 BSC | | 4 |
| J ₁ | 0.090 | 0.105 | 2.29 | 2.66 | 5 |
| L | 0.620 | 0.640 | 15.75 | 16.25 | - |
| L ₁ | 0.145 | 0.155 | 3.69 | 3.93 | 1 |
| ØP | 0.138 | 0.144 | 3.51 | 3.65 | - |
| Q | 0.210 | 0.220 | 5.34 | 5.58 | - |
| ØR | 0.195 | 0.205 | 4.96 | 5.20 | - |
| ØS | 0.260 | 0.270 | 6.61 | 6.85 | - |

NOTES:

1. Lead dimension and finish uncontrolled in L₁.
2. Lead dimension (without solder).
3. Add typically 0.002 inches (0.05mm) for solder coating.
4. Position of lead to be measured 0.250 inches (6.35mm) from bottom of dimension D.
5. Position of lead to be measured 0.100 inches (2.54mm) from bottom of dimension D.
6. Controlling dimension: Inch.
7. Revision 1 dated 1-93.

All Harris Semiconductor products are manufactured, assembled and tested under **ISO9000** quality systems certification.

Harris Semiconductor products are sold by description only. Harris Semiconductor reserves the right to make changes in circuit design and/or specifications at any time without notice. Accordingly, the reader is cautioned to verify that data sheets are current before placing orders. Information furnished by Harris is believed to be accurate and reliable. However, no responsibility is assumed by Harris or its subsidiaries for its use; nor for any infringements of patents or other rights of third parties which may result from its use. No license is granted by implication or otherwise under any patent or patent rights of Harris or its subsidiaries.

Sales Office Headquarters

For general information regarding Harris Semiconductor and its products, call **1-800-4-HARRIS**

NORTH AMERICA
 Harris Semiconductor
 P. O. Box 883, Mail Stop 53-210
 Melbourne, FL 32902
 TEL: 1-800-442-7747
 (407) 729-4984
 FAX: (407) 729-5321

EUROPE
 Harris Semiconductor
 Mercure Center
 100, Rue de la Fusée
 1130 Brussels, Belgium
 TEL: (32) 2.724.2111
 FAX: (32) 2.724.22.05

ASIA
 Harris Semiconductor PTE Ltd.
 No. 1 Tannery Road
 Cencon 1, #09-01
 Singapore 1334
 TEL: (65) 748-4200
 FAX: (65) 748-0400

