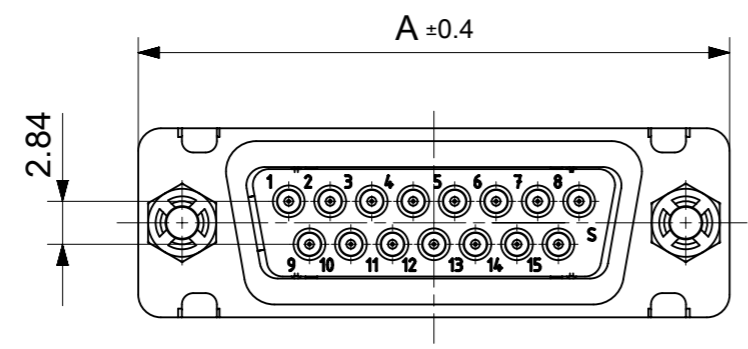
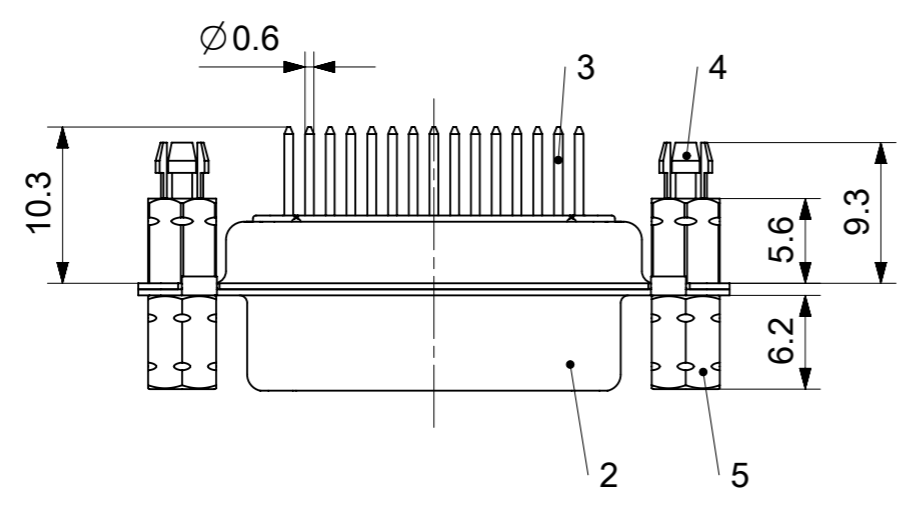
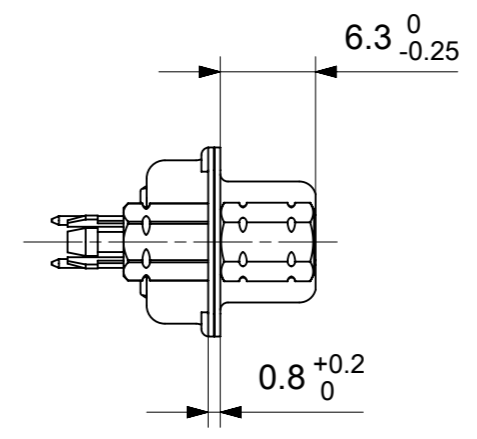
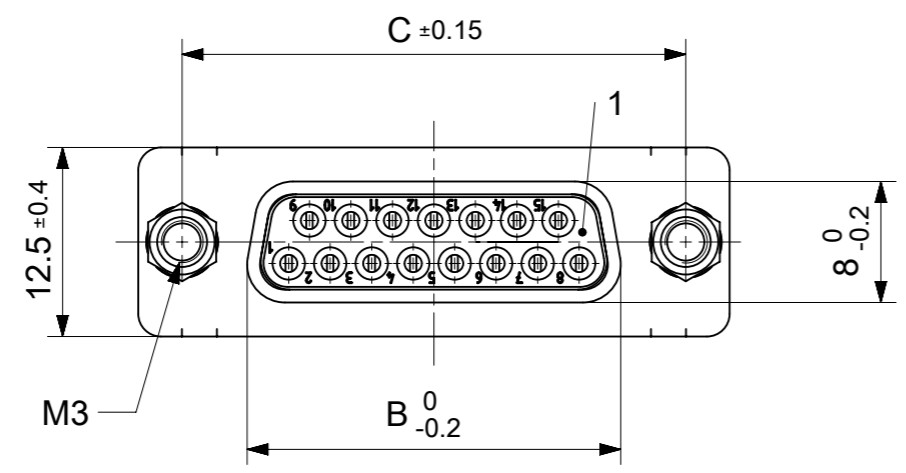


RoHS compliant  
by exemption



FCT Part number:

Fxx\*1)S1G3-0282

e.g. F15S1G3-0282

\*1) xx No. of contacts 09, 15, 25 or 37

\*2) y for performance classes 1, 2 or 3

(contact cycle for G1/G2/G3 = 500/200/50)

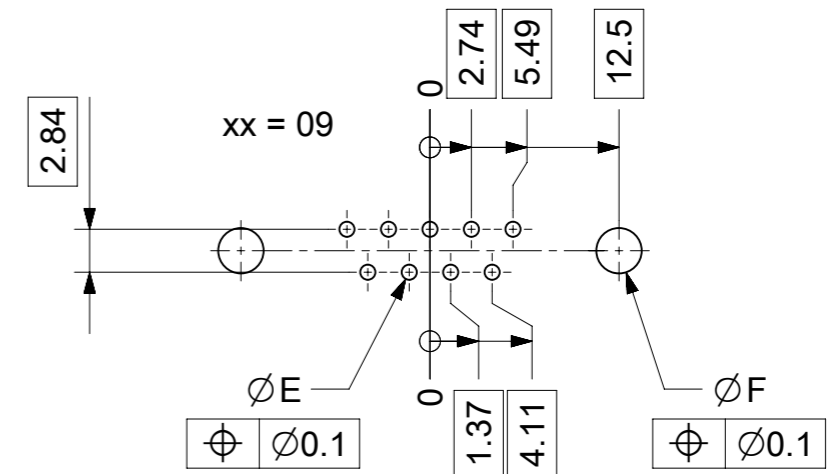
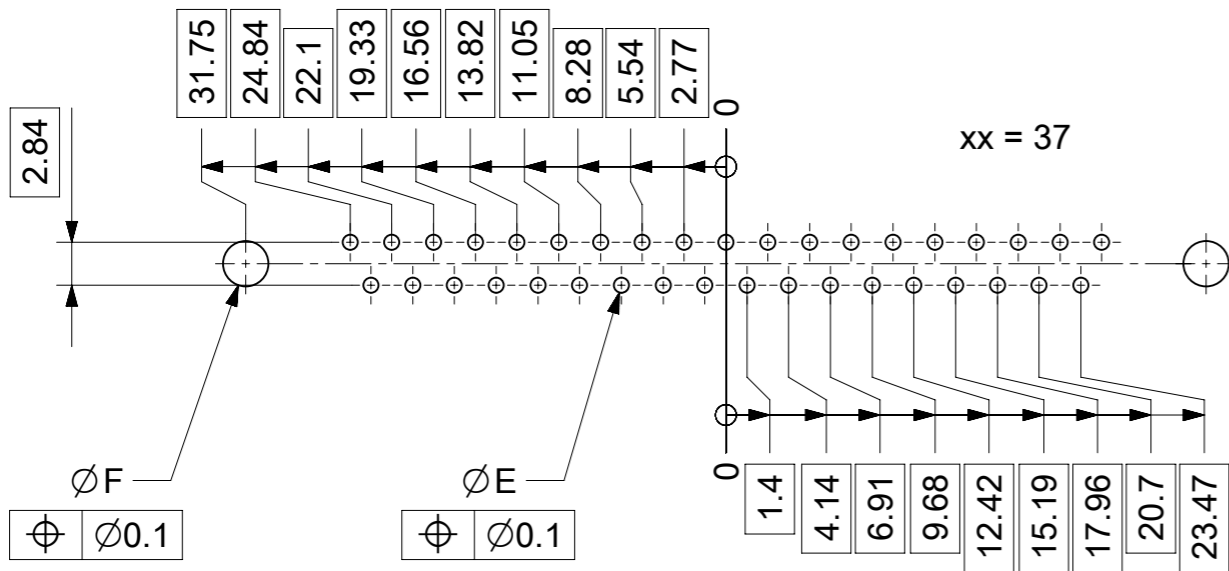
Material Number	xx*1)	y*2)	A[mm]	B[mm]	C[mm]	*E[mm]	*F[mm]
-	09	-	30.8	16.4	25	Ø1	Ø3
1731091341	15	G3	39.1	24.7	33.3		
-	25	-	53	38.5	47.04		
-	37	-	69.3	54.9	63.5		

\*PCB hole patterns ØE, ØF see document 2195600023

5	2	Female screw lock	F-GSCH1/5-K699 / Steel	tin plated
4	2	Snap-in bolt	PCB 1.6mm / Brass	tin plated
3	xx	Signal contact	S1 / Brass	G3
2	1	Shell	Steel	tin plated
1	1	Insulator	PBT (-55°C to +125°C) acc. UL94V-0	white
No.	Pc.	Part	Type Description/Material	Surface plating/ Color/Class

MEASUREMENTS WITHOUT TOLERANCE ACC TO ISO 2768-m REPLACEMENT FOR DOCUMENT NUMBER: FxxS1Gy-0282

FUNCTIONAL SYMBOLS	THIS DRAWING CONTAINS INFORMATION THAT IS PROPRIETARY TO MOLEX ELECTRONIC TECHNOLOGIES, LLC AND SHOULD NOT BE USED WITHOUT WRITTEN PERMISSION	CURRENT REV DESC:		<b>molex</b>				
	<table border="1"> <tr> <th>DIMENSION UNITS</th> <th>SCALE</th> </tr> <tr> <td>mm</td> <td>2:1</td> </tr> </table>	DIMENSION UNITS	SCALE		mm	2:1	EC NO: 707726	
	DIMENSION UNITS	SCALE						
	mm	2:1						
GENERAL TOLERANCES (UNLESS SPECIFIED)		DRWN: SKANDB 2021/12/02						
ANGULAR TOL ± °		CHK'D: MTEUBEL 2022/05/25						
DIVISIONAL SYMBOLS	4 PLACES ±		APPR: MTEUBEL 2022/05/25	PRODUCT CUSTOMER DRAWING				
	3 PLACES ±		INITIAL REVISION:					
	2 PLACES ±		DRWN: SKANDB 2021/12/02					
	1 PLACE ±		APPR: MTEUBEL 2022/05/25					
0 PLACES ±		DOCUMENT NUMBER		1731091341				
DRAFT WHERE APPLICABLE MUST REMAIN WITHIN DIMENSIONS		DOC TYPE DOC PART REVISION						
FIRST ANGLE PROJECTION		DRAWING	SERIES	MATERIAL NUMBER	CUSTOMER	SHEET NUMBER		
		A3-SIZE	173109	SEE TABLE	GENERAL MARKET	1 OF 1		



ØE, ØF see data sheet incl. connector  
 ØF connectors with accessories only

MEASUREMENTS WITHOUT TOLERANCE ACC TO ISO 2768-m			REPLACEMENT FOR DOCUMENT NUMBER: AM0023				
THIS DRAWING CONTAINS INFORMATION THAT IS PROPRIETARY TO MOLEX ELECTRONIC TECHNOLOGIES, LLC AND SHOULD NOT BE USED WITHOUT WRITTEN PERMISSION							
FUNCTIONAL SYMBOLS	DIMENSION UNITS	SCALE	CURRENT REV DESC:				
$\nabla_A = 0$	mm	2:1	<b>molex</b> FCT PCB HOLE PATTERN STRAIGHT CONTACT NO. OF CONTACTS 09-37 PRODUCT CUSTOMER DRAWING				
$\nabla_F = 0$	GENERAL TOLERANCES (UNLESS SPECIFIED)					EC NO: 713905	
$\nabla_P = 0$	ANGULAR TOL ± °					DRWN: SKANDB 2022/05/16	
DIVISIONAL SYMBOLS	4 PLACES ±					CHK'D: MTEUBEL 2022/07/12	
	3 PLACES ±		APPR: MTEUBEL 2022/07/12				
	2 PLACES ±		INITIAL REVISION:				
	1 PLACE ±		DRWN: SKANDB 2022/05/16				
	0 PLACES ±		APPR: MTEUBEL 2022/07/12				
DRAFT WHERE APPLICABLE MUST REMAIN WITHIN DIMENSIONS		FIRST ANGLE PROJECTION	DRAWING	SERIES	MATERIAL NUMBER		
			A3-SIZE	219560	219560		
			CUSTOMER	DOCUMENT NUMBER	DOC TYPE   DOC PART   REVISION		
			GENERAL MARKET	2195600023	PSD   000   A		
			SHEET NUMBER		1 OF 1		