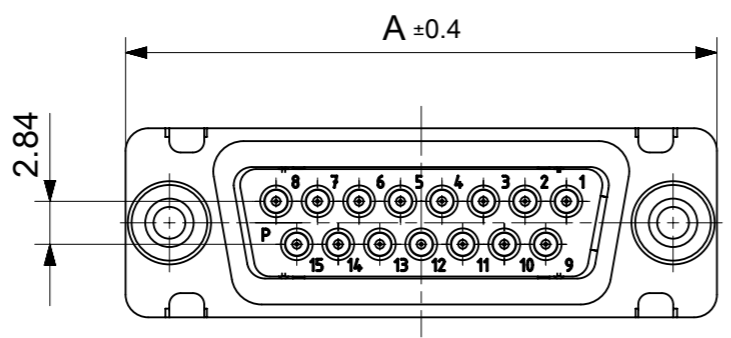
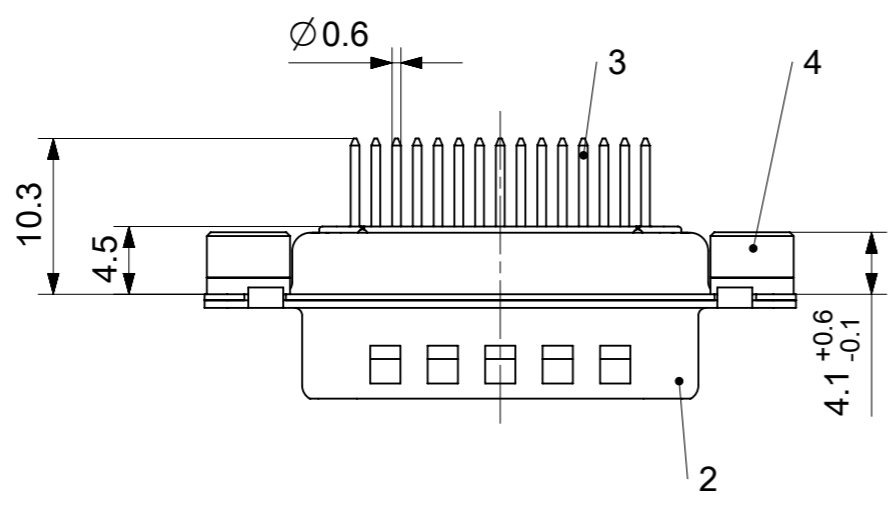
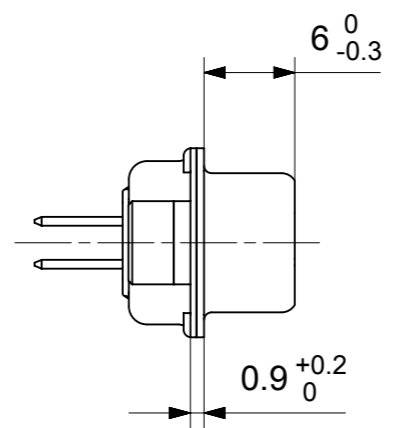
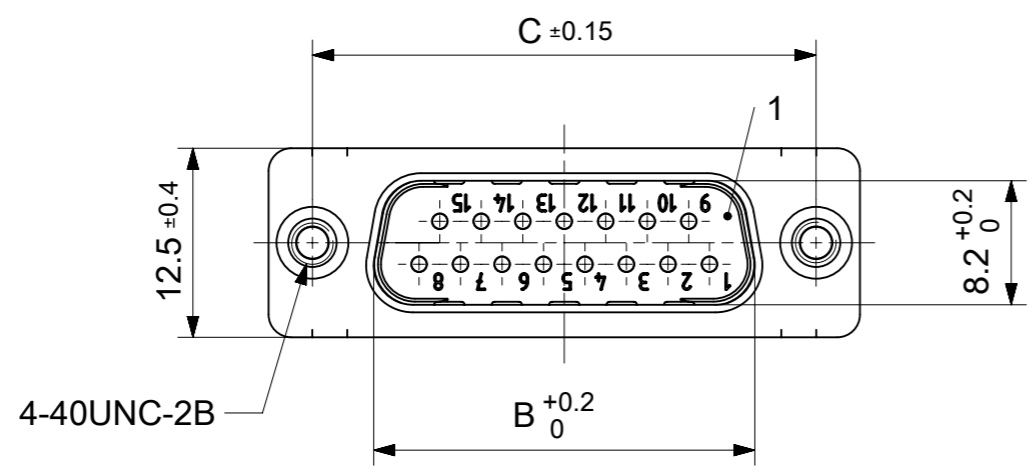


RoHS compliant
by exemption



FCT Part number:
FTSxx*1)P1G2
e.g. FTS15P1G2

*1) xx No. of contacts 09, 15, 25 or 37
*2) y for performance classes 1, 2 or 3
(contact cycle for G1/G2/G3 = 500/200/50)

Material Number	xx*1)	y*2)	A[mm]	B[mm]	C[mm]	*E[mm]
-	09	-	30.8	16.9	25	Ø1
1731090991	15	G2	39.1	25.2	33.3	
-	25	-	53	38.9	47.04	
-	37	-	69.3	55.3	63.5	

*PCB hole patterns ØE see document 2195600023

No.	St.	Part	Type Description/Material	Surface plating/Color/Class
4	2	Clinch nut, self-locking	FTS 4-40 / Steel	tin plated
3	xx	Signal contact	P1 / Brass	G2
2	1	Shell	Steel	tin plated
1	1	Insulator	PBT (-55°C to +125°C) acc. UL94V-0	white

MEASUREMENTS WITHOUT TOLERANCE ACC TO ISO 2768-m			REPLACEMENT FOR DOCUMENT NUMBER: FTSxxP1Gy															
FUNCTIONAL SYMBOLS	THIS DRAWING CONTAINS INFORMATION THAT IS PROPRIETARY TO MOLEX ELECTRONIC TECHNOLOGIES, LLC AND SHOULD NOT BE USED WITHOUT WRITTEN PERMISSION		<div style="text-align: center; font-size: 2em; font-weight: bold;">molex</div> <p>FCT D-SUB MINIATURE CONNECTOR</p> <p>PRODUCT CUSTOMER DRAWING</p>															
FUNCTIONAL SYMBOLS	<table border="1"> <tr> <th>DIMENSION UNITS</th> <th>SCALE</th> </tr> <tr> <td>mm</td> <td>2:1</td> </tr> </table>	DIMENSION UNITS				SCALE	mm	2:1	CURRENT REV DESC:									
DIMENSION UNITS	SCALE																	
mm	2:1																	
FUNCTIONAL SYMBOLS	<table border="1"> <tr> <th colspan="2">GENERAL TOLERANCES (UNLESS SPECIFIED)</th> </tr> <tr> <td>ANGULAR TOL</td> <td>± °</td> </tr> </table>	GENERAL TOLERANCES (UNLESS SPECIFIED)		ANGULAR TOL	± °	<table border="1"> <tr> <td>EC NO: 706086</td> <td>2022/02/22</td> </tr> <tr> <td>DRWN: SKANDB</td> <td>2022/05/11</td> </tr> <tr> <td>CHK'D: MTEUBEL</td> <td>2022/05/11</td> </tr> <tr> <td>APPR: MTEUBEL</td> <td>2022/05/11</td> </tr> </table>	EC NO: 706086	2022/02/22	DRWN: SKANDB	2022/05/11	CHK'D: MTEUBEL	2022/05/11	APPR: MTEUBEL	2022/05/11				
GENERAL TOLERANCES (UNLESS SPECIFIED)																		
ANGULAR TOL	± °																	
EC NO: 706086	2022/02/22																	
DRWN: SKANDB	2022/05/11																	
CHK'D: MTEUBEL	2022/05/11																	
APPR: MTEUBEL	2022/05/11																	
DIVISIONAL SYMBOLS	<table border="1"> <tr> <th colspan="2">INITIAL REVISION:</th> </tr> <tr> <td>4 PLACES</td> <td>±</td> </tr> <tr> <td>3 PLACES</td> <td>±</td> </tr> <tr> <td>2 PLACES</td> <td>±</td> </tr> <tr> <td>1 PLACE</td> <td>±</td> </tr> <tr> <td>0 PLACES</td> <td>±</td> </tr> </table>	INITIAL REVISION:		4 PLACES	±	3 PLACES	±	2 PLACES	±	1 PLACE	±	0 PLACES	±	<table border="1"> <tr> <td>DRWN: SKANDB</td> <td>2022/02/22</td> </tr> <tr> <td>APPR: MTEUBEL</td> <td>2022/05/11</td> </tr> </table>	DRWN: SKANDB	2022/02/22	APPR: MTEUBEL	2022/05/11
INITIAL REVISION:																		
4 PLACES	±																	
3 PLACES	±																	
2 PLACES	±																	
1 PLACE	±																	
0 PLACES	±																	
DRWN: SKANDB	2022/02/22																	
APPR: MTEUBEL	2022/05/11																	
DRAFT WHERE APPLICABLE MUST REMAIN WITHIN DIMENSIONS		FIRST ANGLE PROJECTION	DRAWING	SERIES	MATERIAL NUMBER	CUSTOMER	DOCUMENT NUMBER	DOC TYPE	DOC PART	REVISION								
			A3-SIZE	173109	SEE TABLE	GENERAL MARKET	1731090991	PSD	000	A								
										SHEET NUMBER								
										1 OF 1								



ØE, ØF see data sheet incl. connector
 ØF connectors with accessories only

MEASUREMENTS WITHOUT TOLERANCE ACC TO ISO 2768-m			REPLACEMENT FOR DOCUMENT NUMBER: AM0023			
THIS DRAWING CONTAINS INFORMATION THAT IS PROPRIETARY TO MOLEX ELECTRONIC TECHNOLOGIES, LLC AND SHOULD NOT BE USED WITHOUT WRITTEN PERMISSION						
FUNCTIONAL SYMBOLS	DIMENSION UNITS	SCALE	CURRENT REV DESC:			
$\nabla_A = 0$	mm	2:1	EC NO: 713905			
$\nabla_E = 0$	GENERAL TOLERANCES (UNLESS SPECIFIED)		DRWN: SKANDB 2022/05/16			
$\nabla_P = 0$	ANGULAR TOL ± °		CHK'D: MTEUBEL 2022/07/12			
DIVISIONAL SYMBOLS	4 PLACES ±		APPR: MTEUBEL 2022/07/12			
	3 PLACES ±		INITIAL REVISION:			
	2 PLACES ±		DRWN: SKANDB 2022/05/16			
	1 PLACE ±		APPR: MTEUBEL 2022/07/12			
	0 PLACES ±		DOCUMENT NUMBER			
DRAFT WHERE APPLICABLE MUST REMAIN WITHIN DIMENSIONS		FIRST ANGLE PROJECTION	DRAWING	SERIES	MATERIAL NUMBER	CUSTOMER
			A3-SIZE	219560	219560	GENERAL MARKET
			PRODUCT CUSTOMER DRAWING		REVISION	
			2195600023		A	
			PSD 000		1 OF 1	