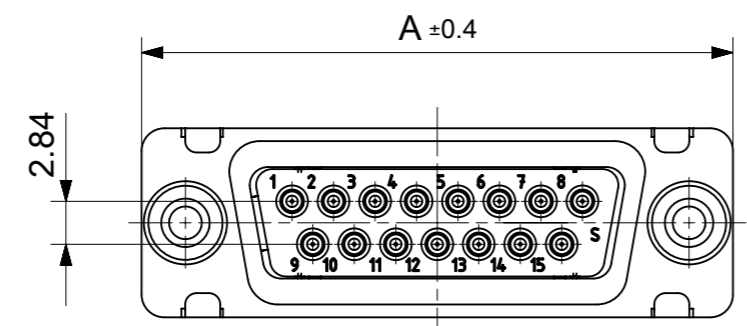
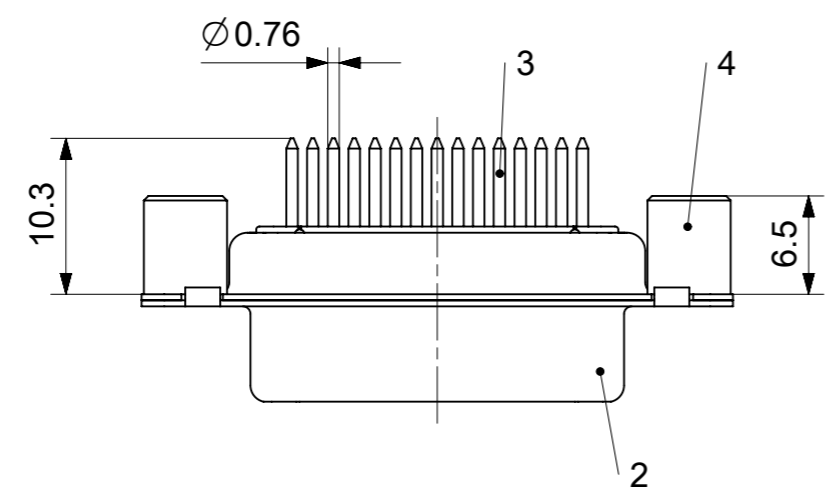
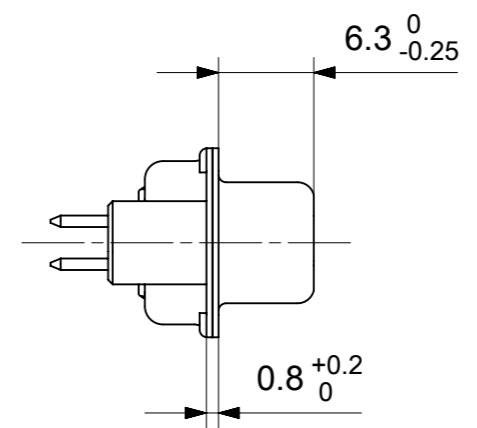
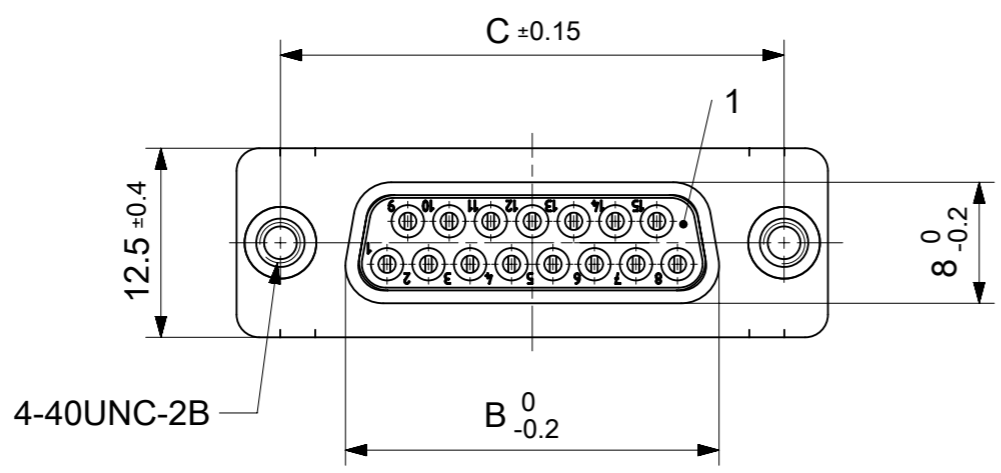


RoHS compliant
by exemption



FCT Part number:

Fxx*1)S2G2-1032

e.g. F15S2G2-1032

*1) xx No. of contacts 09, 15, 25 or 37

*2) y for performance classes 1, 2 or 3

(contact cycle for G1/G2/G3 = 500/200/50)

Material Number	xx*1)	y*2)	A[mm]	B[mm]	C[mm]	*E[mm]
1731091194	09	G2	30.8	16.4	25	Ø1.1
-	15	-	39.1	24.7	33.3	
1731091478	25	G2	53	38.5	47.04	
1731091958	37	G2	69.3	54.9	63.5	

*PCB hole patterns ØE see document 2195600023

4	2	Threaded spacer	4-40 / Steel	tin plated
3	xx	Signal contact	S2 / Brass	G2
2	1	Shell	Steel	tin plated
1	1	Insulator	PBT (-55°C to +125°C) acc. UL94V-0	white
No.	St.	Part	Type Description/Material	Surface plating/ Color/Class

MEASUREMENTS WITHOUT TOLERANCE ACC TO ISO 2768-m

REPLACEMENT FOR DOCUMENT NUMBER: FxxS2Gy-1032

FUNCTIONAL SYMBOLS: THIS DRAWING CONTAINS INFORMATION THAT IS PROPRIETARY TO MOLEX ELECTRONIC TECHNOLOGIES, LLC AND SHOULD NOT BE USED WITHOUT WRITTEN PERMISSION

FUNCTIONAL SYMBOLS: DIMENSION UNITS: mm, SCALE: 2:1, CURRENT REV DESC:

FUNCTIONAL SYMBOLS: GENERAL TOLERANCES (UNLESS SPECIFIED): ANGULAR TOL ± °, 4 PLACES ±, 3 PLACES ±, 2 PLACES ±, 1 PLACE ±, 0 PLACES ±

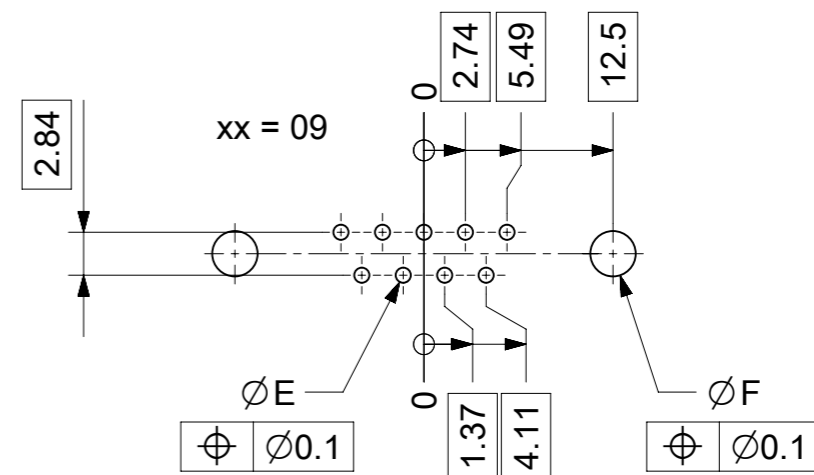
DIVISIONAL SYMBOLS: EC NO: 712793, DRWN: SKANDB, 2021/12/22, CHK'D: MTEUBEL, 2022/07/04, APPR: MTEUBEL, 2022/07/04

DIVISIONAL SYMBOLS: INITIAL REVISION: DRWN: SKANDB, 2021/12/22, APPR: MTEUBEL, 2022/07/04

PRODUCT CUSTOMER DRAWING

DOCUMENT NUMBER: 1731091194, DOC TYPE: PSD, DOC PART: 000, REVISION: A

DRAFT WHERE APPLICABLE MUST REMAIN WITHIN DIMENSIONS, FIRST ANGLE PROJECTION, DRAWING: A3-SIZE, SERIES: 173109, MATERIAL NUMBER: SEE TABLE, CUSTOMER: GENERAL MARKET, SHEET NUMBER: 1 OF 1



$\varnothing E$, $\varnothing F$ see data sheet incl. connector
 $\varnothing F$ connectors with accessories only

MEASUREMENTS WITHOUT TOLERANCE ACC TO ISO 2768-m			REPLACEMENT FOR DOCUMENT NUMBER: AM0023						
THIS DRAWING CONTAINS INFORMATION THAT IS PROPRIETARY TO MOLEX ELECTRONIC TECHNOLOGIES, LLC AND SHOULD NOT BE USED WITHOUT WRITTEN PERMISSION									
FUNCTIONAL SYMBOLS	DIMENSION UNITS	SCALE	CURRENT REV DESC:						
$\nabla_A = 0$	mm	2:1	EC NO: 713905						
$\nabla_E = 0$	GENERAL TOLERANCES (UNLESS SPECIFIED)		DRWN: SKANDB 2022/05/16						
$\nabla_P = 0$	ANGULAR TOL \pm °		CHK'D: MTEUBEL 2022/07/12						
DIVISIONAL SYMBOLS	4 PLACES \pm		APPR: MTEUBEL 2022/07/12						
	3 PLACES \pm		INITIAL REVISION:						
	2 PLACES \pm		DRWN: SKANDB 2022/05/16						
	1 PLACE \pm		APPR: MTEUBEL 2022/07/12						
	0 PLACES \pm		DOCUMENT NUMBER						
DRAFT WHERE APPLICABLE MUST REMAIN WITHIN DIMENSIONS		FIRST ANGLE PROJECTION	DRAWING	SERIES	MATERIAL NUMBER	CUSTOMER	DOC TYPE	DOC PART	REVISION
			A3-SIZE	219560	219560	GENERAL MARKET	PSD	000	A
			2195600023			1 OF 1			