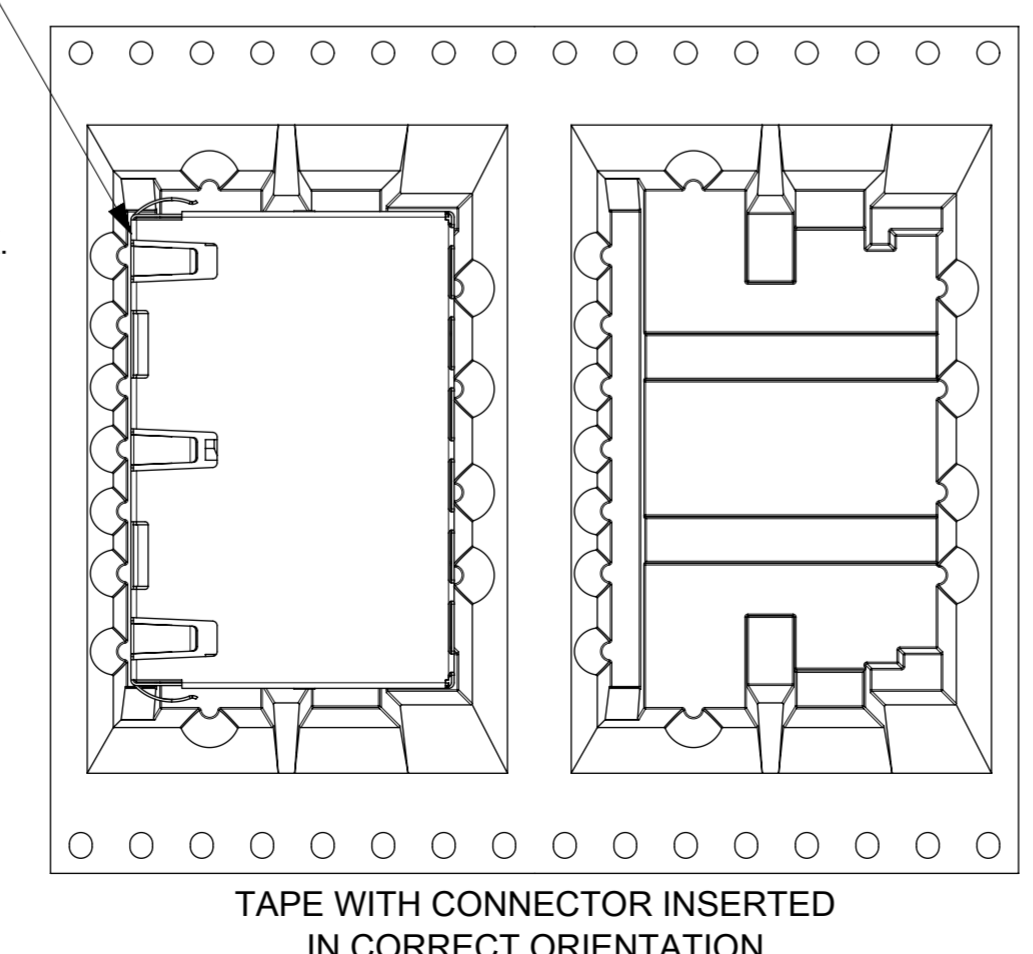


PIECES/REEL	PIECES/CARTON	REELS/CARTON	CAVITIES/REEL	No OF EMPTY CAVITIES	
				TRAILER SIDE	LEADER SIDE
80	480	6	102	12	10

- NOTES:
- MATERIAL:
CARRIER TAPE: VOLUME CONDUCTIVE POLYSTYRENE, 0.60 mm REF THICK, BLACK.
COVER TAPE: COLD SEAL POLYESTER, 0.06 mm REF THICK TRANSPARENT.
 - PITCH TOLERANCE OVER ANY 10 PITCHES ±0.2 mm
 - PEEL FORCE OF COVER TAPE IS 0.1 N TO 1.3 N AT A MAXIMUM SPEED OF 300 mm/min ±10 mm/min
 - PACKAGING SPECIFICATION: 938240002 PSK.
 - REFERENCE TO IEC 60286-3 EXCEPT WHERE NOTED
 - LEADER: 400 mm MINIMUM OF COVER TAPE WITH AT LEAST 100 mm MINIMUM OF CARRIER TAPE. ALL POCKETS MUST BE EMPTY.
 - TRAILER: 160 mm MINIMUM OF CARRIER TAPE. ALL POCKETS MUST BE EMPTY.
 - THE CARRIER TAPE MUST BE RELEASED FROM THE REEL HUB AS THE LAST PORTION OF CARRIER TAPE UNWINDS FROM THE REEL.
 - LABELS SHALL BE PLACED ON EACH REEL AND ON THE CARTON

LAST INSPECTION NUMBER USED: 13
DELETED INSPECTION NUMBERS: 1, 2, 11



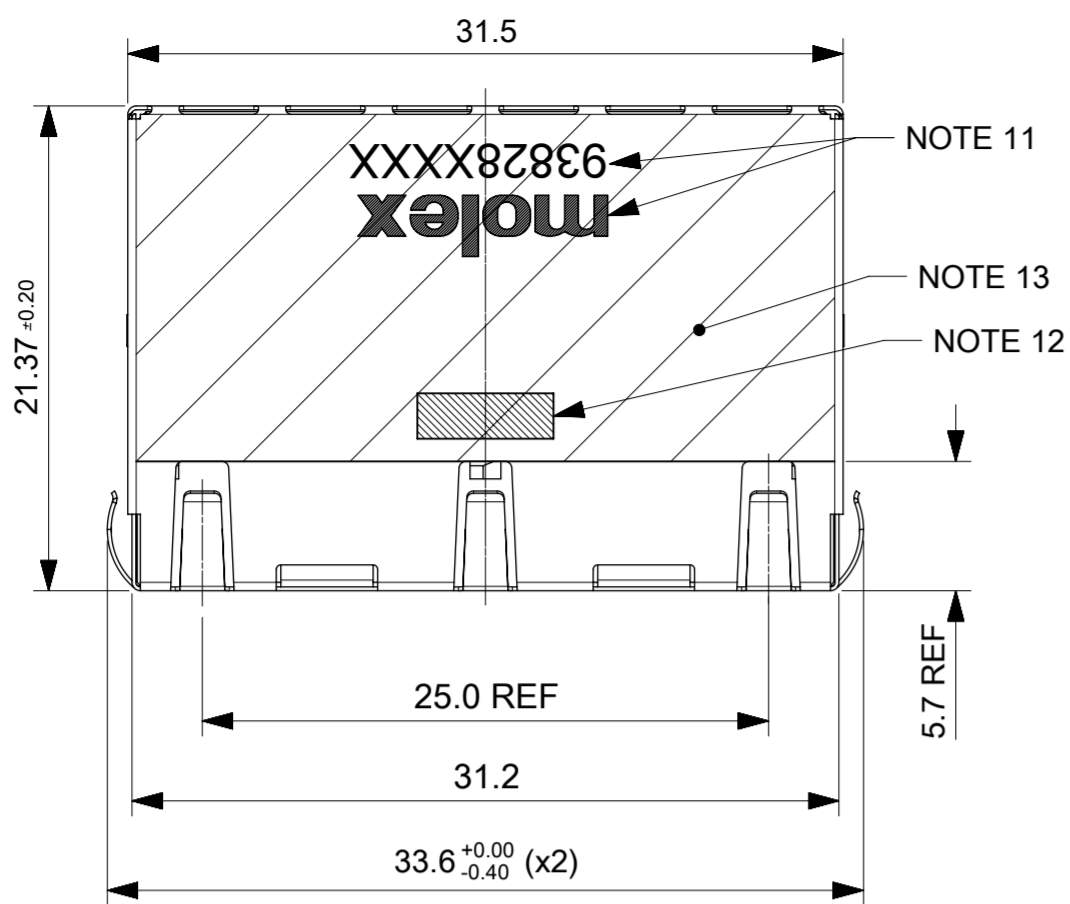
THIS DRAWING CONTAINS INFORMATION THAT IS PROPRIETARY TO MOLEX ELECTRONIC TECHNOLOGIES, LLC AND SHOULD NOT BE USED WITHOUT WRITTEN PERMISSION

DIMENSION UNITS: mm	SCALE: 1:2	CURRENT REV DESC: REMOVED INSPECTION NUMBERS	molex			
GENERAL TOLERANCES (UNLESS SPECIFIED)	ANGULAR TOL ± 2.0°	4 PLACES ±				MXMAG DUAL PORT TAPE AND REEL PACKAGING
3 PLACES ±	2 PLACES ± 0.1	1 PLACE ± 0.2	PRODUCT CUSTOMER DRAWING			
0 PLACES ±	INITIAL REVISION:		DOCUMENT NUMBER	DOC TYPE	DOC PART	REVISION
DRAFT WHERE APPLICABLE MUST REMAIN WITHIN DIMENSIONS	THIRD ANGLE PROJECTION	DRAWING: A2-SIZE	SERIES: 93823	MATERIAL NUMBER: SEE CHART	CUSTOMER: GENERAL MARKET	SHEET NUMBER: 1 OF 1

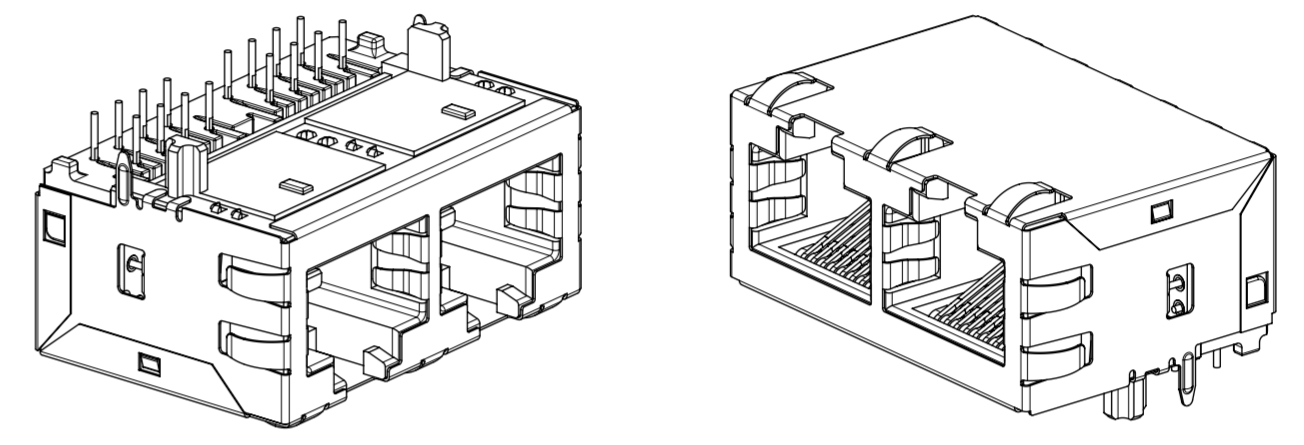
EC NO: 603842
DRWN: DSHEA 2018/09/03
CHK'D: DBYRNES 2018/09/11
APPR: DBYRNES 2018/09/11

DRWN: SMCGREEVY 2017/05/19
APPR: DBYRNES 2017/11/07

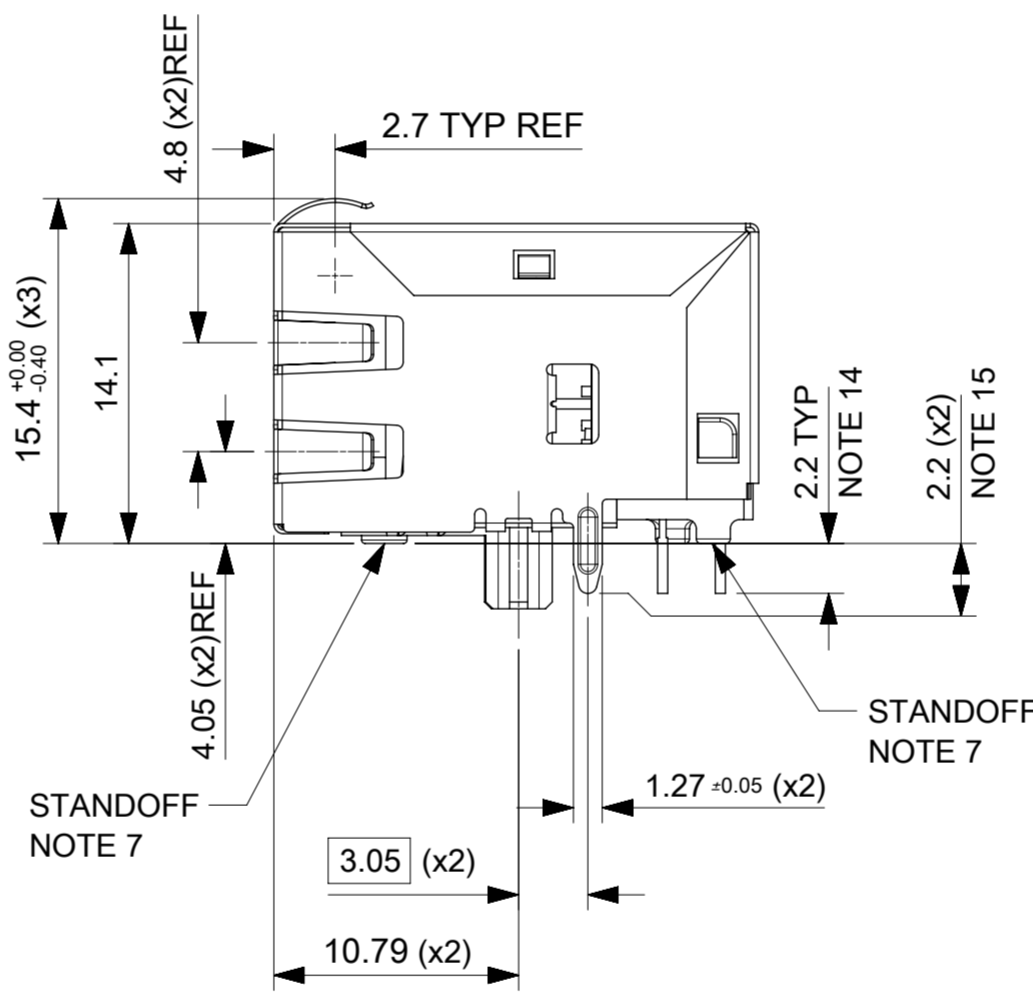
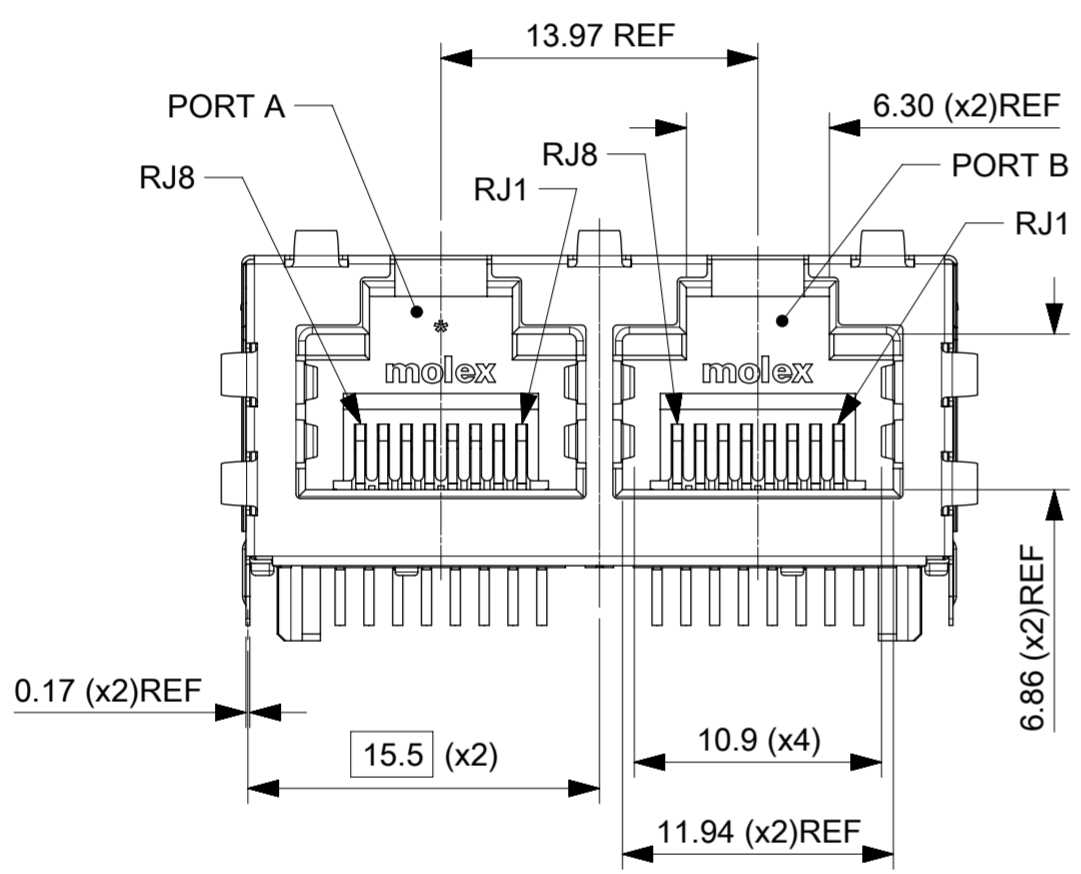
938230002
PSD 000 C



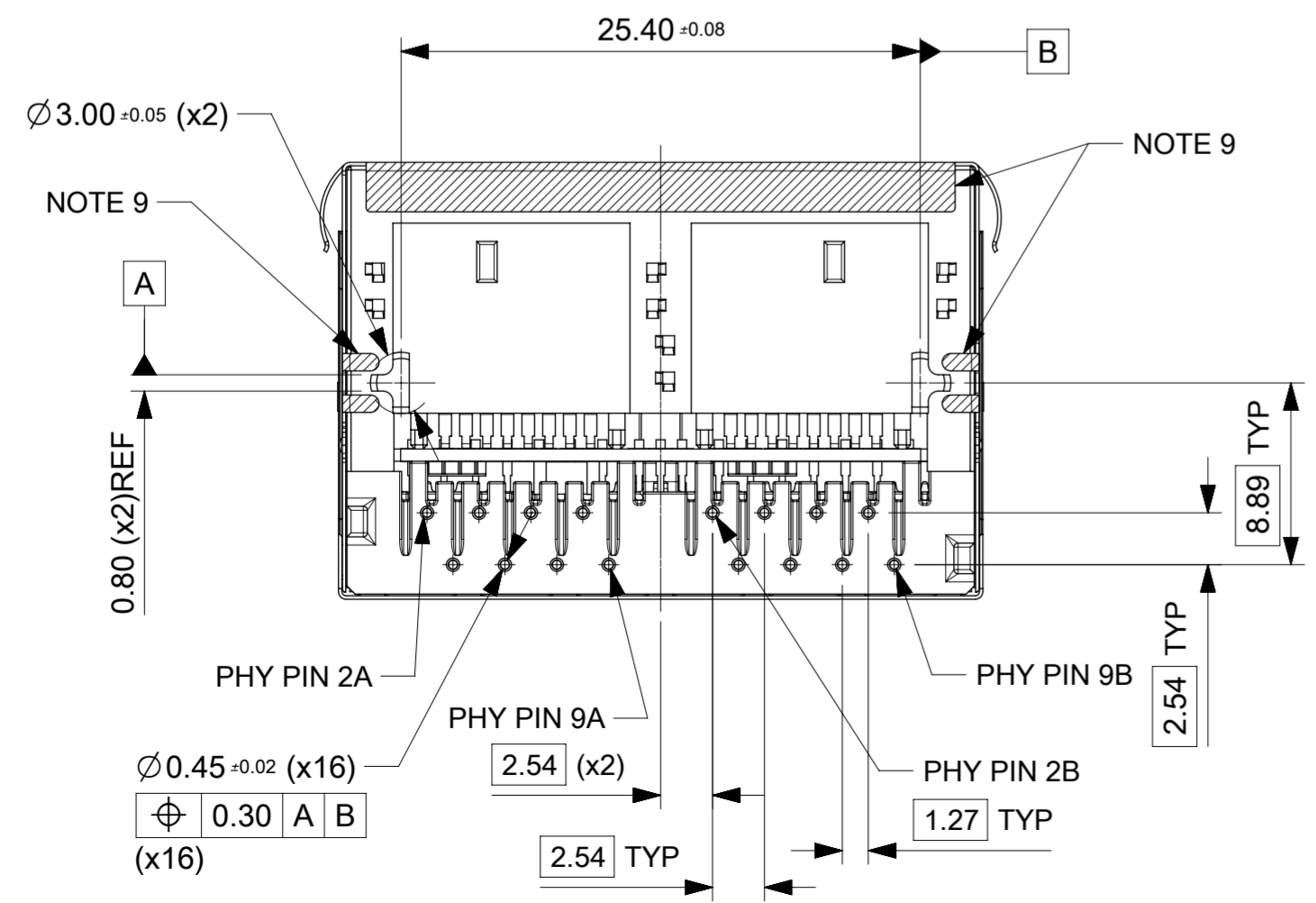
PART NUMBER 938288020



INVERTED PROFILE DUAL PORT MAGNETIC JACK
FAST ETHERNET
WITH SHIELD TABS

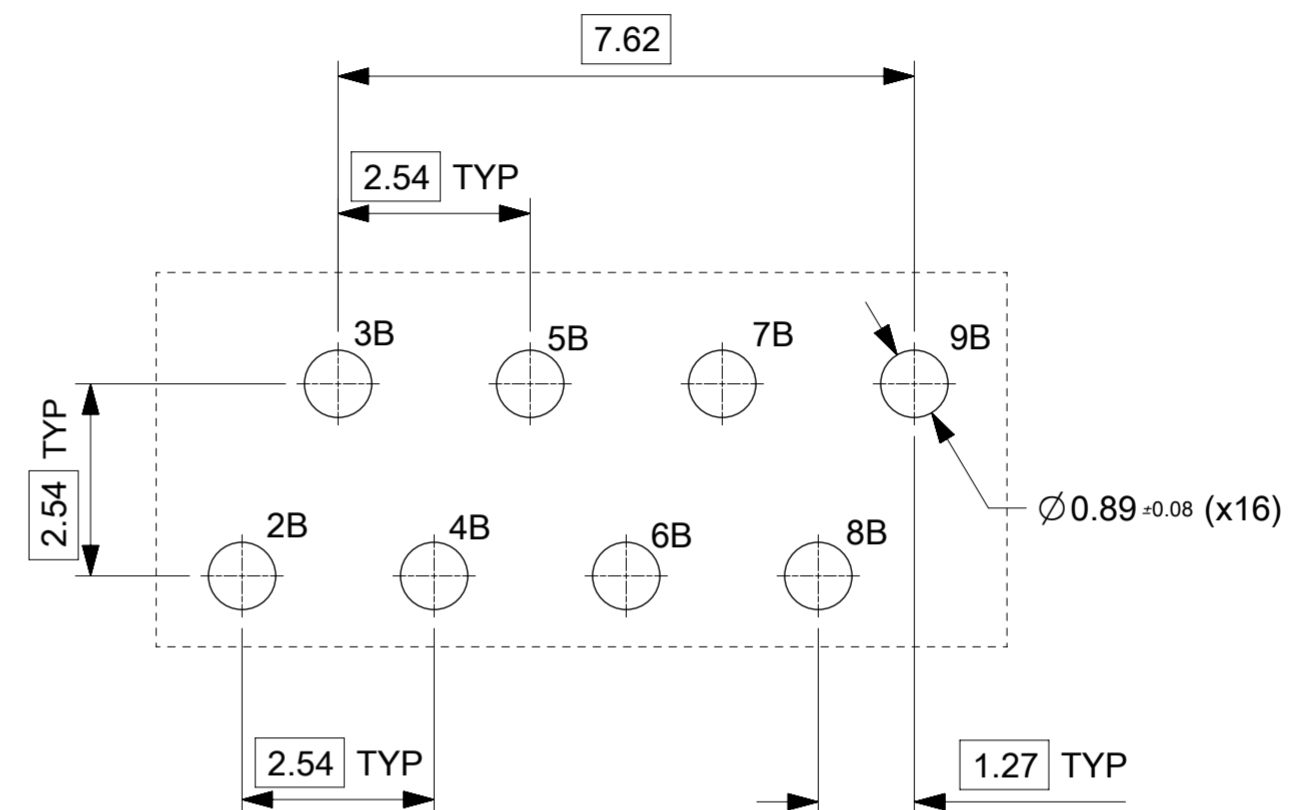
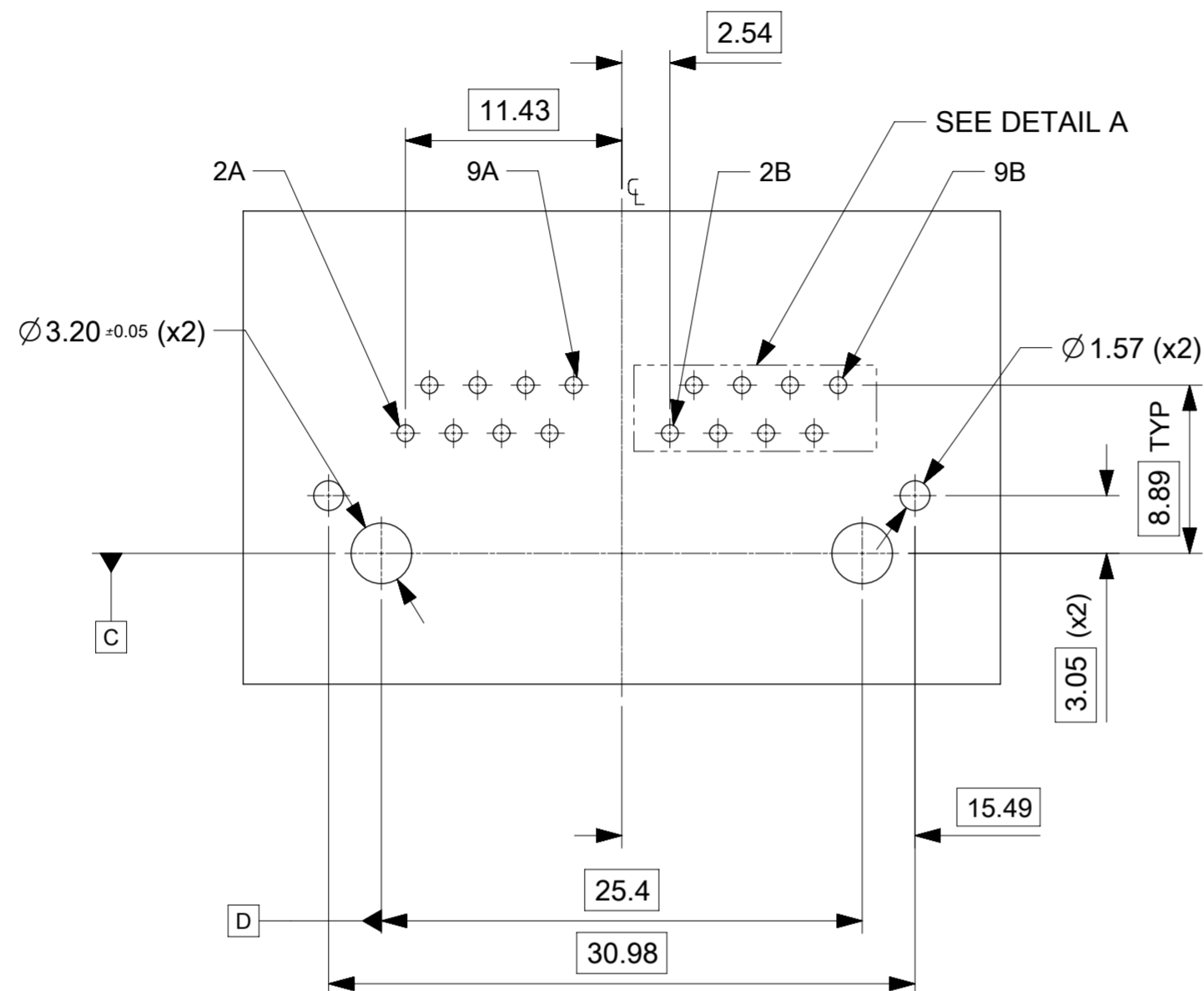


- NOTES:
- SHIELD MATERIAL: 0.17 mm THICK BRASS PRE-PLATED WITH NICKEL SOLDER TABS POST DIPPED WITH MIN. 1.27 μm TIN
 - HOUSING MATERIAL: LCP, BLACK, UL 94V-0
 - TERMINALS MATERIAL: PHOSPHOR BRONZE
RJ45 CONTACTS PLATING: BASE NICKEL PLATED WITH GOLD FLASH OVER PALLADIUM NICKEL. REFER TO 934620001 PSP
PHY SOLDER TAILS: COPPER ALLOY WITH TIN OVER NICKEL PLATING
 - MATING INTERFACE ACCORDING TO IEC 60603-7 & TIA-1096-A
 - PRODUCT SPECIFICATION: 934620001 PSP
 - PACKAGING SPECIFICATION: 938240002 PSK TAPE & REEL
 - STAND OFF TO SYSTEM BOARD 0.30 mm MIN
 - RECOMMENDED PCB THICKNESS: 1.6 mm
 - SHIELD: AVOID ROUTING TRACES OR PLACING ANY VIAS BELOW THESE AREAS.
 - FE VERSIONS DO NOT HAVE PINS 1A, 10A, 1B, 10B
 - INSCRIPTION MARKED BY LASER:
1st: MOLEX
2nd: PART NUMBER
 - INSCRIPTION MARKED BY LASER:
DATE CODE (DAY/WEEK/YEAR)
 - THIS AREA OF THE TOP FACE MAY BE USED FOR PICK AND PLACE
 - PHY PIN LENGTH
 - SHIELD SOLDER TAB LENGTH

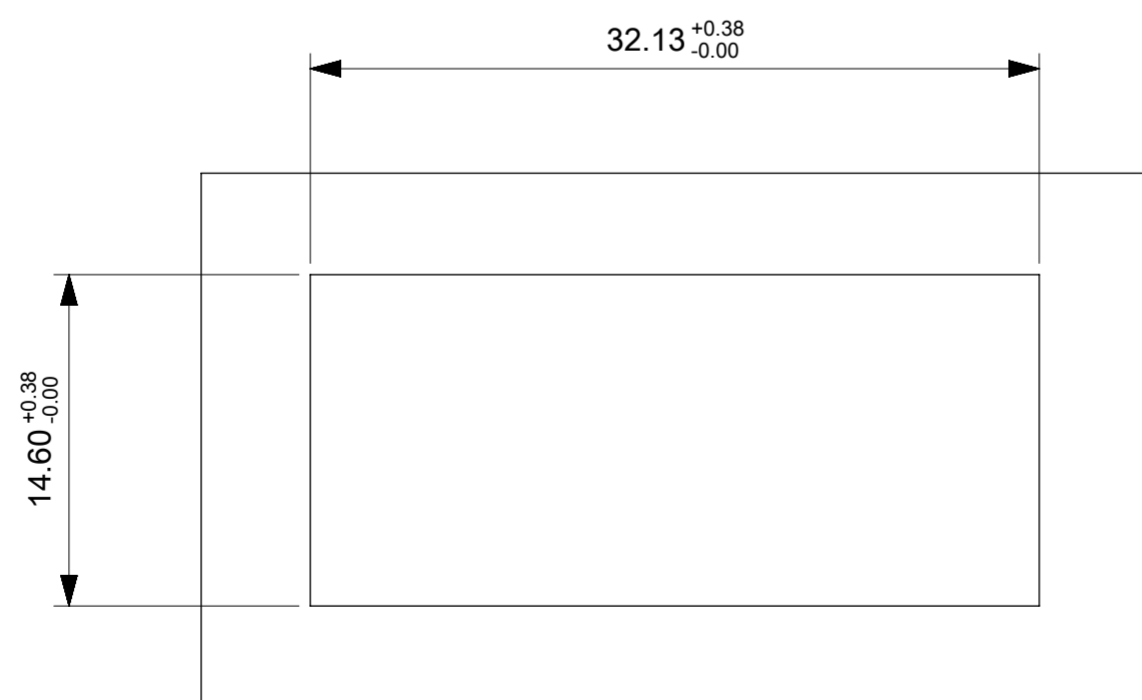


THIS DRAWING CONTAINS INFORMATION THAT IS PROPRIETARY TO MOLEX ELECTRONIC TECHNOLOGIES, LLC AND SHOULD NOT BE USED WITHOUT WRITTEN PERMISSION																																																																									
DIMENSION UNITS		SCALE		CURRENT REV DESC: UPDATED TITLE																																																																					
mm		3:1		<table border="1"> <tr> <td colspan="2">GENERAL TOLERANCES (UNLESS SPECIFIED)</td> <td colspan="2">EC NO: 605496</td> <td colspan="2" rowspan="2">2018/09/25</td> <td colspan="2" rowspan="2">2019/05/07</td> <td colspan="2" rowspan="2">2019/05/07</td> </tr> <tr> <td colspan="2">ANGULAR TOL ± 2.0°</td> <td colspan="2">DRWN: DSHEA</td> </tr> <tr> <td colspan="2">4 PLACES ±</td> <td colspan="2">CHK'D: DBYRNES</td> <td colspan="2">2017/07/04</td> <td colspan="2">2017/11/07</td> <td colspan="2">2017/11/07</td> </tr> <tr> <td colspan="2">3 PLACES ±</td> <td colspan="2">APPR: DBYRNES</td> <td colspan="2">INITIAL REVISION:</td> <td colspan="2">DRWN: DSHEA</td> <td colspan="2">2017/07/04</td> </tr> <tr> <td colspan="2">2 PLACES ± 0.1</td> <td colspan="2">APPR: DBYRNES</td> <td colspan="2">2017/11/07</td> <td colspan="2">DRWN: DSHEA</td> <td colspan="2">2017/11/07</td> </tr> <tr> <td colspan="2">1 PLACE ± 0.2</td> <td colspan="2">APPR: DBYRNES</td> <td colspan="2">2017/11/07</td> <td colspan="2">DRWN: DSHEA</td> <td colspan="2">2017/11/07</td> </tr> <tr> <td colspan="2">0 PLACES ±</td> <td colspan="2">APPR: DBYRNES</td> <td colspan="2">2017/11/07</td> <td colspan="2">DRWN: DSHEA</td> <td colspan="2">2017/11/07</td> </tr> </table>						GENERAL TOLERANCES (UNLESS SPECIFIED)		EC NO: 605496		2018/09/25		2019/05/07		2019/05/07		ANGULAR TOL ± 2.0°		DRWN: DSHEA		4 PLACES ±		CHK'D: DBYRNES		2017/07/04		2017/11/07		2017/11/07		3 PLACES ±		APPR: DBYRNES		INITIAL REVISION:		DRWN: DSHEA		2017/07/04		2 PLACES ± 0.1		APPR: DBYRNES		2017/11/07		DRWN: DSHEA		2017/11/07		1 PLACE ± 0.2		APPR: DBYRNES		2017/11/07		DRWN: DSHEA		2017/11/07		0 PLACES ±		APPR: DBYRNES		2017/11/07		DRWN: DSHEA		2017/11/07	
GENERAL TOLERANCES (UNLESS SPECIFIED)		EC NO: 605496								2018/09/25		2019/05/07								2019/05/07																																																					
ANGULAR TOL ± 2.0°		DRWN: DSHEA																																																																							
4 PLACES ±		CHK'D: DBYRNES								2017/07/04		2017/11/07		2017/11/07																																																											
3 PLACES ±		APPR: DBYRNES								INITIAL REVISION:		DRWN: DSHEA		2017/07/04																																																											
2 PLACES ± 0.1		APPR: DBYRNES		2017/11/07		DRWN: DSHEA		2017/11/07																																																																	
1 PLACE ± 0.2		APPR: DBYRNES		2017/11/07		DRWN: DSHEA		2017/11/07																																																																	
0 PLACES ±		APPR: DBYRNES		2017/11/07		DRWN: DSHEA		2017/11/07																																																																	
molex				MXMAG DUAL PORT 4C FE INDUSTRIAL W/O LED REFLOW CAPABLE																																																																					
PRODUCT CUSTOMER DRAWING				DOCUMENT NUMBER: 938280002																																																																					
DOC TYPE: PSD				DOC PART: 000		REVISION: C		SHEET NUMBER: 1 OF 3																																																																	
DRAFT WHERE APPLICABLE MUST REMAIN WITHIN DIMENSIONS		THIRD ANGLE PROJECTION		DRAWING: A2-SIZE		SERIES: 93828		MATERIAL NUMBER: SEE CHART																																																																	
				CUSTOMER: GENERAL MARKET																																																																					

RECOMMENDED PCB LAYOUT
 FE VERSION W/O LED
 COMPONENT SIDE
 ALL DIMENSIONS REF DIMENSIONS



DETAIL A
 SCALE 10:1



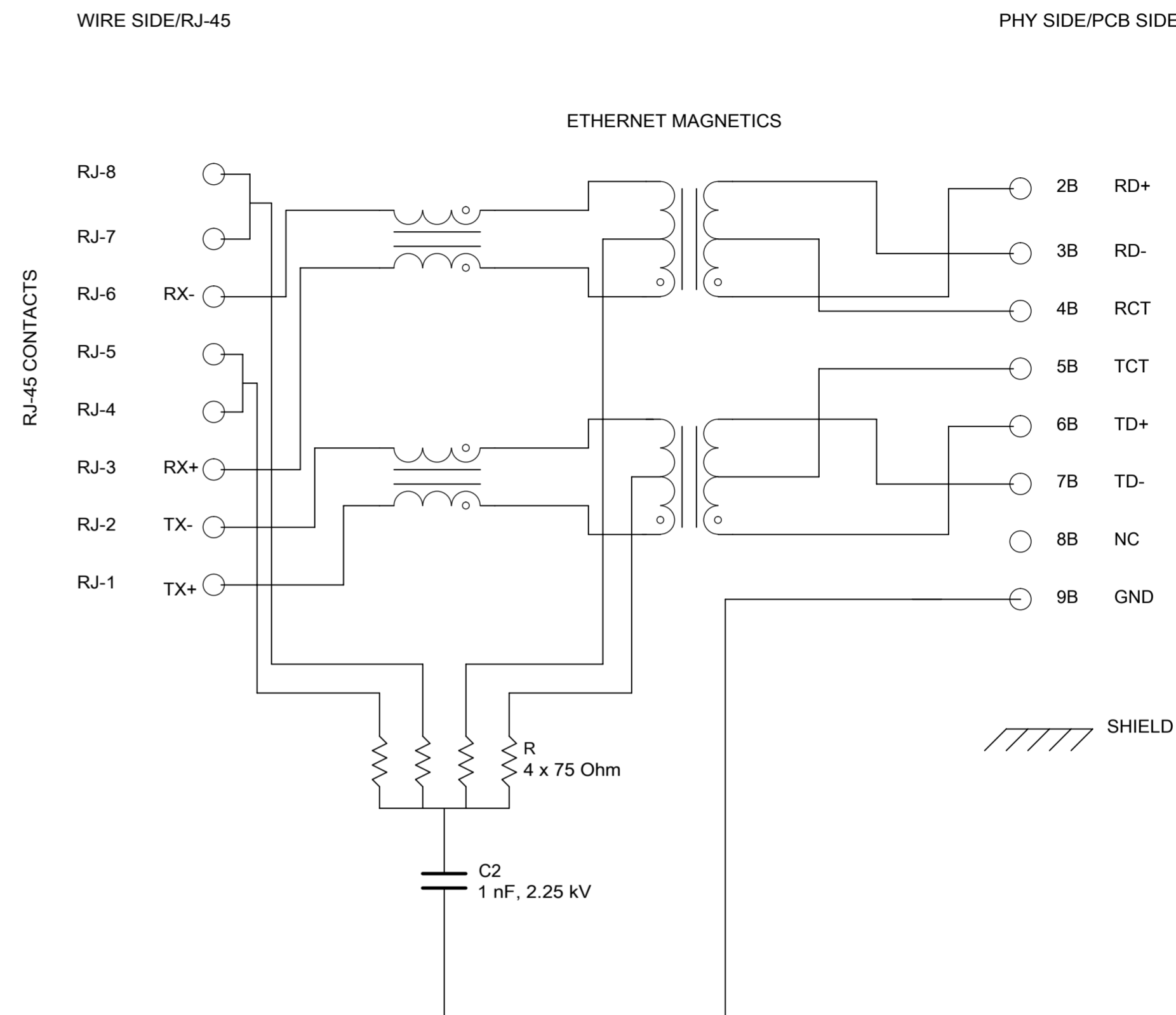
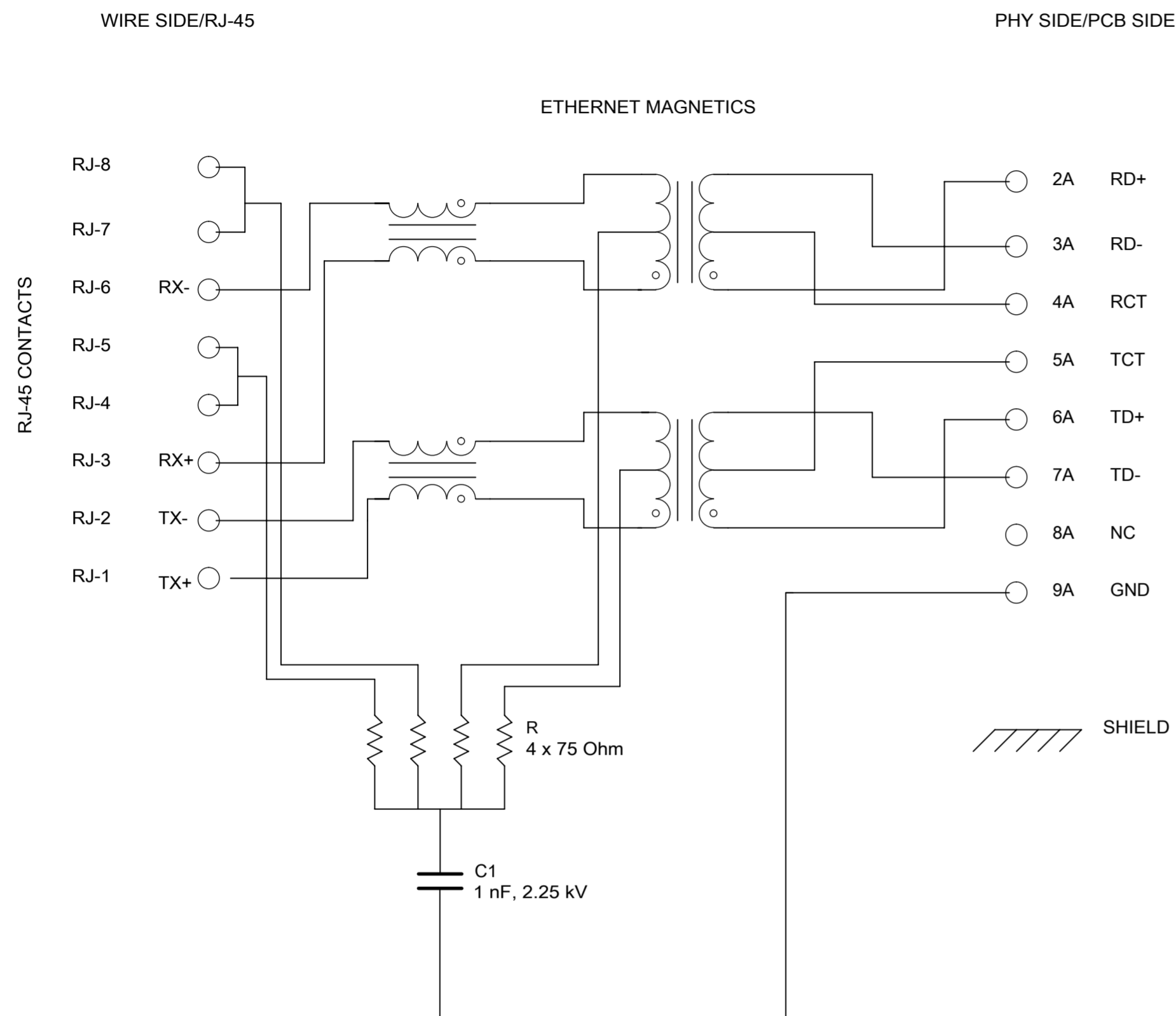
SUGGESTED PANEL CUTOUT

THIS DRAWING CONTAINS INFORMATION THAT IS PROPRIETARY TO MOLEX ELECTRONIC TECHNOLOGIES, LLC AND SHOULD NOT BE USED WITHOUT WRITTEN PERMISSION

DIMENSION UNITS mm	SCALE 3:1	CURRENT REV DESC: UPDATED TITLE		molex		
GENERAL TOLERANCES (UNLESS SPECIFIED)		EC NO: 605496				
ANGULAR TOL ± 2.0°	4 PLACES ±	DRWN: DSHEA	2018/09/25	PRODUCT CUSTOMER DRAWING		
3 PLACES ±	2 PLACES ± 0.1	CHK'D: DBYRNES	2019/05/07	DOCUMENT NUMBER		
1 PLACE ± 0.2	0 PLACES ±	APPR: DBYRNES	2019/05/07	938280002		
DRAFT WHERE APPLICABLE MUST REMAIN WITHIN DIMENSIONS	THIRD ANGLE PROJECTION	INITIAL REVISION:	DRWN: DSHEA 2017/07/04	MATERIAL NUMBER	CUSTOMER	SHEET NUMBER
		APPR: DBYRNES 2017/11/07	2017/11/07	SEE SHEET 1	GENERAL MARKET	2 OF 3

PORT A

PORT B



Description	Value	
OCL @100 kHz, 0.1 V 8 mA DC bias (-40°C to +85°C)	350 μH min.	
Turns ratio	1CT:1CT	
Transmission characteristics @ 25°C, all four pairs		
Insertion Loss		
Frequency f, (MHz)	Limits (dB max.)	Typical Values (dB max.)
1.0-9.9	0.4+0.1*log(f)	0.5 @ 10 MHz
10-49.9	0.5+0.3*log(f/10)	0.7 @ 50MHz
50-79.9	1+1.4*log(f/80)	1.0 @ 80 MHz
80-100	1.3+3*log(f/100)	1.3 @ 100 MHz
Return Loss		
Frequency f, (MHz)	Limits (dB min.)	Typical Values (dB min.)
1.0-39.9	18	18 @ 40 MHz
40-100	12-20*log(f/80)	10 @ 100 MHz
CMR		
Frequency f, (MHz)	Limits (dB min.)	Typical Values (dB min.)
1.0-100	30	30 @ 100 MHz
Next		
Frequency f, (MHz)	Limits (dB min.)	Typical Values (dB min.)
1.0-39.9	35	35 @ 40 MHz
40-100	33-20*log(f/50)	27 @ 100 MHz
Isolation PHY to wire side	2.25 kVDC/60sec	

THIS DRAWING CONTAINS INFORMATION THAT IS PROPRIETARY TO MOLEX ELECTRONIC TECHNOLOGIES, LLC AND SHOULD NOT BE USED WITHOUT WRITTEN PERMISSION									
DIMENSION UNITS		SCALE		CURRENT REV DESC: UPDATED TITLE					
mm		1:1							
GENERAL TOLERANCES (UNLESS SPECIFIED)				EC NO: 605496				MXMAG DUAL PORT 4C FE INDUSTRIAL W/O LED REFLOW CAPABLE	
ANGULAR TOL ± 2.0°				DRWN: DSHEA 2018/09/25					
4 PLACES ±				CHK'D: DBYRNES 2019/05/07				PRODUCT CUSTOMER DRAWING	
3 PLACES ±				APPR: DBYRNES 2019/05/07					
2 PLACES ± 0.1				INITIAL REVISION:				DOCUMENT NUMBER 938280002	
1 PLACE ± 0.2				DRWN: DSHEA 2017/07/04					
0 PLACES ±				APPR: DBYRNES 2017/11/07				DOC TYPE DOC PART REVISION PSD 000 C	
DRAFT WHERE APPLICABLE MUST REMAIN WITHIN DIMENSIONS		THIRD ANGLE PROJECTION		DRAWING		SERIES		MATERIAL NUMBER	
				A2-SIZE		93828		SEE SHEET 1	
						GENERAL MARKET		SHEET NUMBER 3 OF 3	