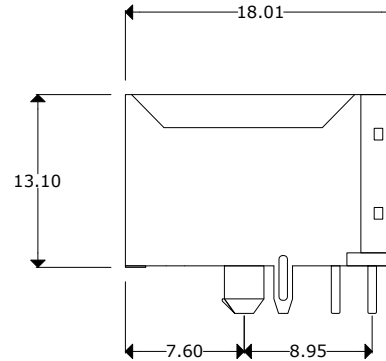
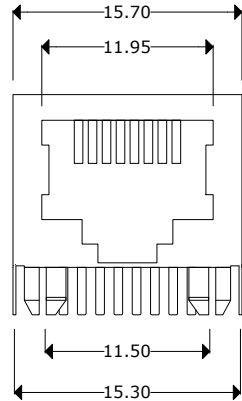
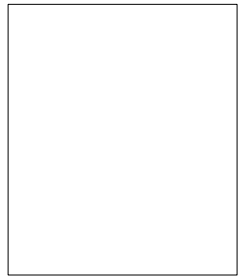
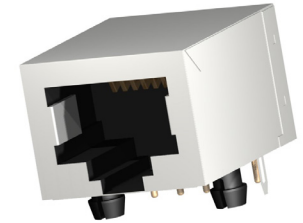


S CN RJ - 8 8 SG N S N N - 48 3B SO RTH

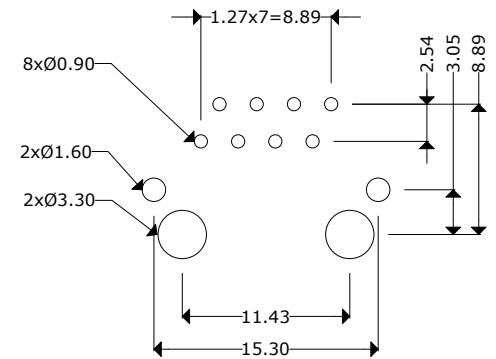
SUNTSU | **RJ45**
CONNECTOR

CONTACTS 8 : 8
MAGNETIC N : None
EMI Finger N : None
OPERATING TEMP 48 : -40~85°C
CONTACT TERMINATION SO : SOLDER

POSITIONS 8 : 8
CONTACT PLATING SG : Selective Gold Plating
SHIELD S : With
LED COLOR N : None
HEIGHT 3B : 13.1mm
MOUNTING STYLE RTH : Right Angle Through Hole



PC Board Layout



Electrical Parameters

Voltage Rating: 125V
 Current Rating: 1.5A
 Contact Resistance: 30mΩ Max
 Insulation Resistance: 500MΩ/min.
 Dielectric Withstanding Voltage: 1000V

Materials

Housing: PBT, UL94V-0, Black
 Contact: Gold Plated over Nickel
 Conductor: 0.35x0.42mm phosphor bronze
 Plating: Tin plated over nickel
 Shield: 0.25mm bronze nickel plated

Remarks:
 Operating Life: 750 Cycles MIN.



RJ45 JACK SHIELDED SIDE ENTRY

Document History				Part No.	Drawn
Edits Made	Date	Edited By	Approved By	SCNRJ-88SGNSNN-483BSORTH	B. Gibbons 10/26/2021
Initial Release	10/26/2021	B. Gibbons	KH Mun		
				Scale	Tolerance
				Unit	Unless otherwise stated, tolerances are .x±0.25 Pages
				mm	1/1