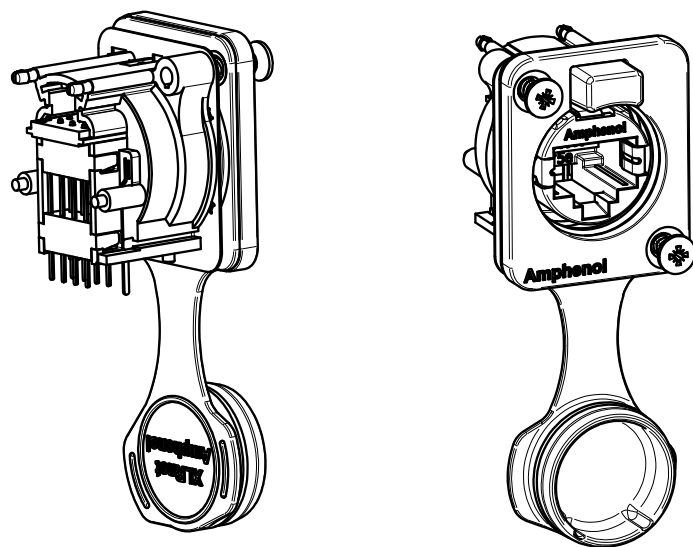
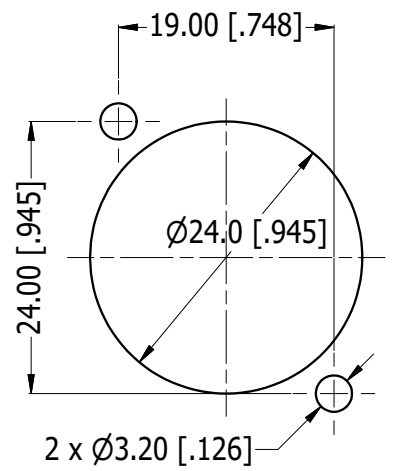


PCB LAYOUT
(CONNECTOR TOP VIEW)

- RJ45 CONTACTS
- RJ45 SHELL GROUND CONTACT
- CONNECTOR LOCATION PINS



3D VIEW
1:1



PANEL CUT OUT
3:2
(CONNECTOR FRONT VIEW)

TABLE OF PART NUMBERS		
PART NUMBER	FRONT SHELL FINISH	TRANSMISSION CLASS
RJXS8FG3HB	NICKEL	CLASS D
RJXS8FG5HB	NICKEL	CAT5e
RJXS8FG6HB	NICKEL	CAT6

UNLESS OTHERWISE SPECIFIED TOLERANCE TO BE	
LINEAR	ANGULAR
X ±0.5	X' ±1
X.X ±0.1	X.X' ±30'
X.X ±0.05	X.X' ±15'
BREAK ALL SHARP EDGES AND REMOVE ALL BURRS	
DO NOT SCALE	

THIS DOCUMENT IS THE PROPERTY OF AMPHENOL AUSTRALIA PTY. LTD.
NO PART THEREOF MAY BE REPRODUCED AND USED WITHOUT THE PRIOR WRITTEN CONSENT OF THE OWNER.

MATERIAL: **REFER SPECIFICATION**

FINISH:

DIMENSIONS IN MILLIMETRES

DRN: T.N	DATE: 04/03/20
CKD: P.M	DATE: 04/03/20
APP'D: P.M	DATE: 04/03/20
SCALE: 3:2	SIZE: A3



Amphenol Australia Pty.Ltd,
22 Industry Blvd, Carrum Downs
VIC 3201 Australia

TITLE:
**XLRnet CONNECTOR
HORIZ IP54 WITH CAP
CUSTOMER DRAWING**

PART No:
**REFER TO TABLE OF
PART NUMBERS**
DRAWING No.
55011394-000

REV
1
SHEET
2/2