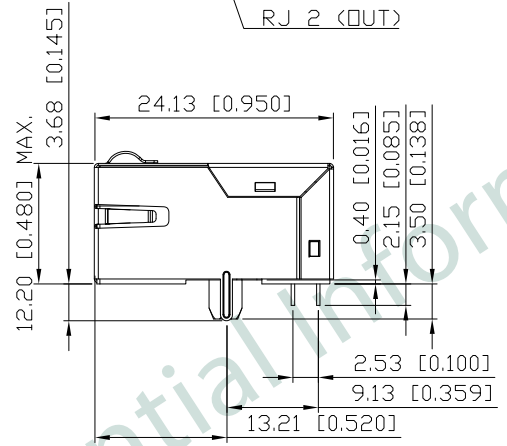
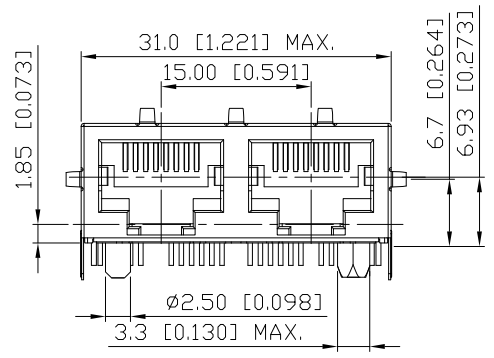
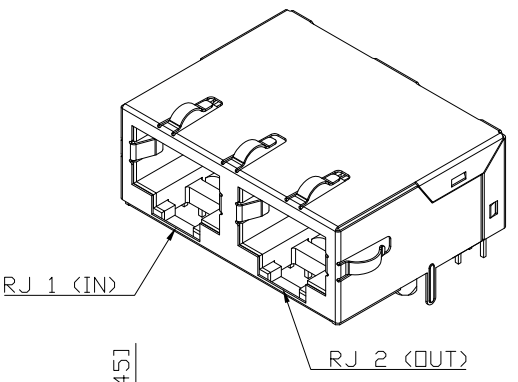
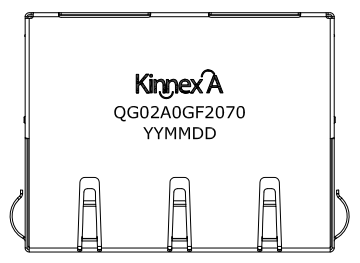


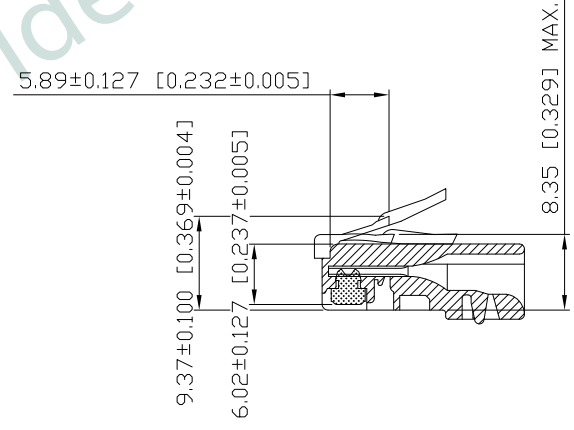
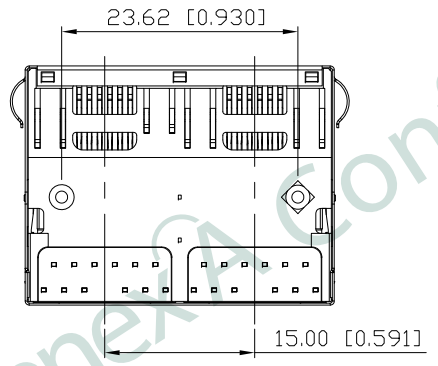
1. MECHANICAL DIMENSIONS :

| REV. | DATE | DESCRIPTION |
|------|--------------|-------------|
| 01 | Jan. 15, '18 | 1st RELEASE |
| | | |
| | | |

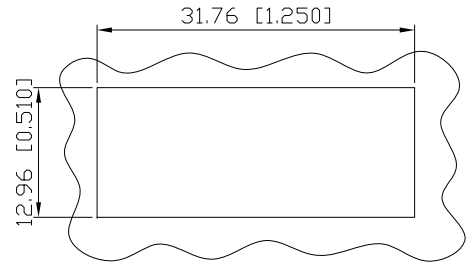
A
B
C
D
E
F



RECOMMENDED PLUG DIMENSION:



- NOTES:
- MATERIAL:
HOUSING: HIGH THERMOPLASTIC, UL94V-0, BLACK
CONTACTS: T=0.30mm PHOS-BRONZE,
30u" GOLD PLATING ON CONTACT AREA,
NICKEL UNDERPLATING ON ALL AREA
SOLDER PIN: T=0.30*0.40mm COPPER, NICKEL PLATING,
TIN PLATING ON ALL AREA
SHIELD: T=0.20mm COPPER ALLOY, NICKEL PLATING
 - OPERATING TEMPERATURE: -40°C~+85°C
 - INSERTION FORCE: 4 POUNDS MAX.
EXTRACTION FORCE: 4 POUNDS MAX.
 - DURABILITY: 750 MATING CYCLED MIN.
 - CAVITY CONFORMS TO FCC RULES AND REGULATIONS PART 68,
SUBPART F.
 - UNSPECIFIED TOLERANCE: .XX ±0.25[0.010]
.X ±0.30[0.012]

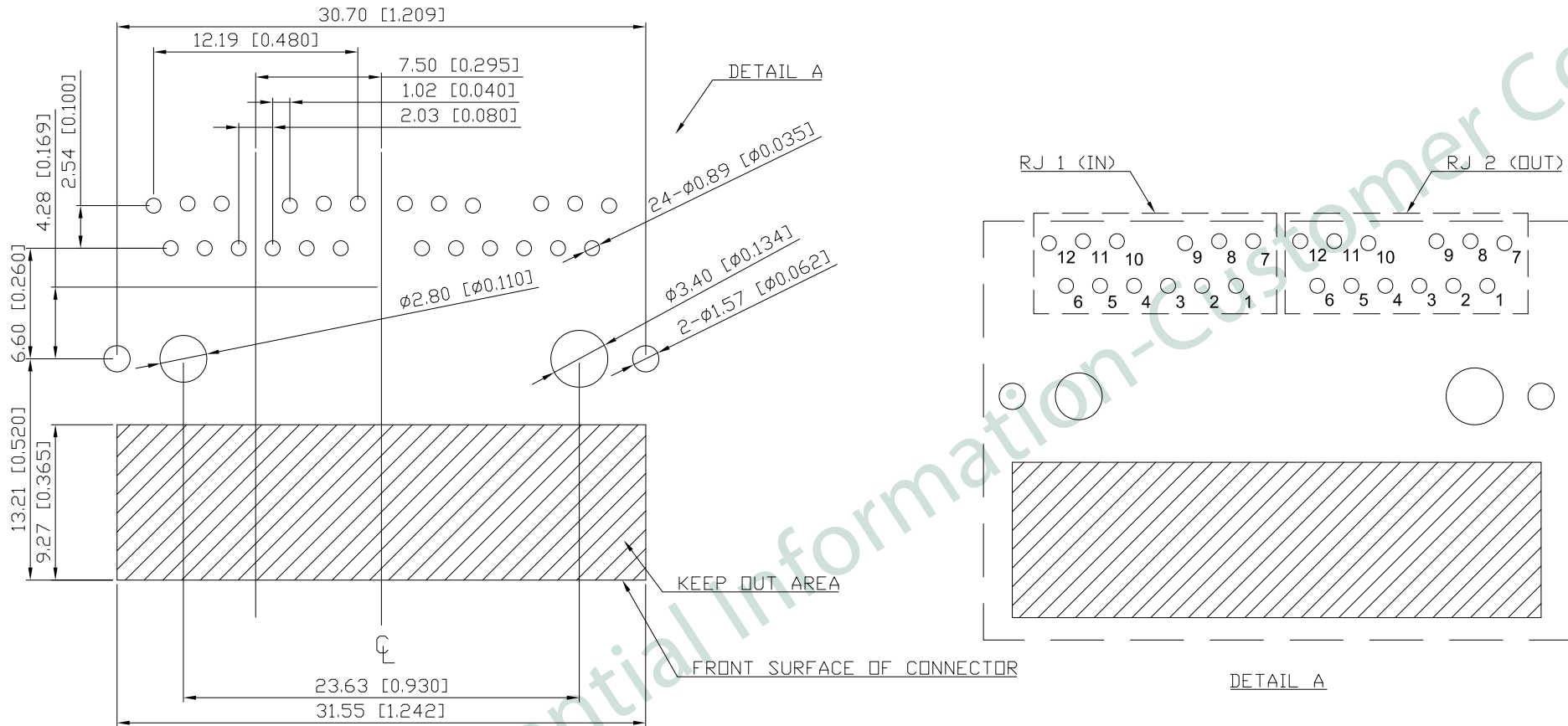


RECOMMENDED PANEL CUTOUT DIMENSION

| | | | | |
|----------|--|-------------------|--------------|--------|
| PART NO | | KQG-02A-0-GF2-070 | | |
| TITLE | RJ45 1X2, W/2.5G TRANSFORMER AND PoE+, W/D LED, SHIELDED | | | |
| REV : 01 | | | | |
| UNIT | DRAWN | CHKD | DATE | SHEET |
| mm[inch] | CINDY | DANIEL | Jan. 15, '18 | 1 of 5 |

ROHS Compliant

2. PCB LAYOUT :



SUGGESTED PCB LAYOUT
(TOP VIEW) SCALE:2:1
DIMENSIONAL TOLERANCE: .XX ±0.08[0.003]

KQG-02A-0-GF2-070

PRODUCT SERIES
KQG: LATCH DOWN, PoE+ TYPE

MECHANICAL TYPE
02A: 2 PORT FOR KQG,
HEIGHT=12.20mm, LENGTH=24.13mm,
STRAIGHT PINS, PIN=3.30mm

LED COLOR OPTION

CIRCUIT TYPE

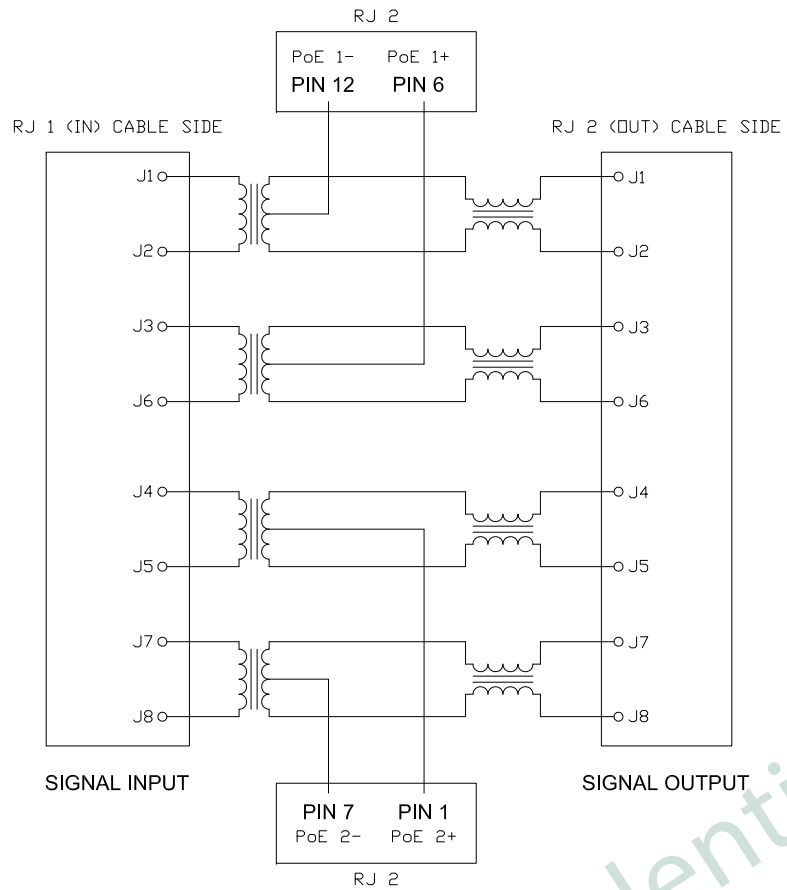
SPECIAL CODE
0: STANDARD

SHIELDED TYPE
7: EMI FINGER ON ALL SIDE

LED POLARITY
0: W/O LED

| | | | | |
|----------|--|-------------------|--------------|--------|
| PART NO | | KQG-02A-0-GF2-070 | | |
| TITLE | RJ45 1X2, W/2.5G TRANSFORMER AND PoE+, W/O LED, SHIELDED | | | |
| REV : 01 | | | | |
| UNIT | DRAWN | CHKD | DATE | SHEET |
| mm[inch] | CINDY | DANIEL | Jan. 15, '18 | 2 of 5 |


3. SCHEMATIC :



4. ELECTRICAL CHARACTERISTICS :

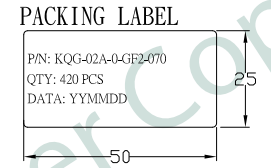
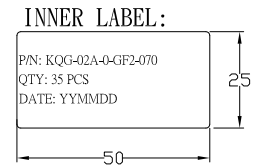
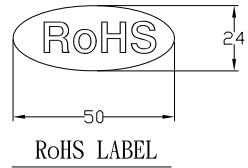
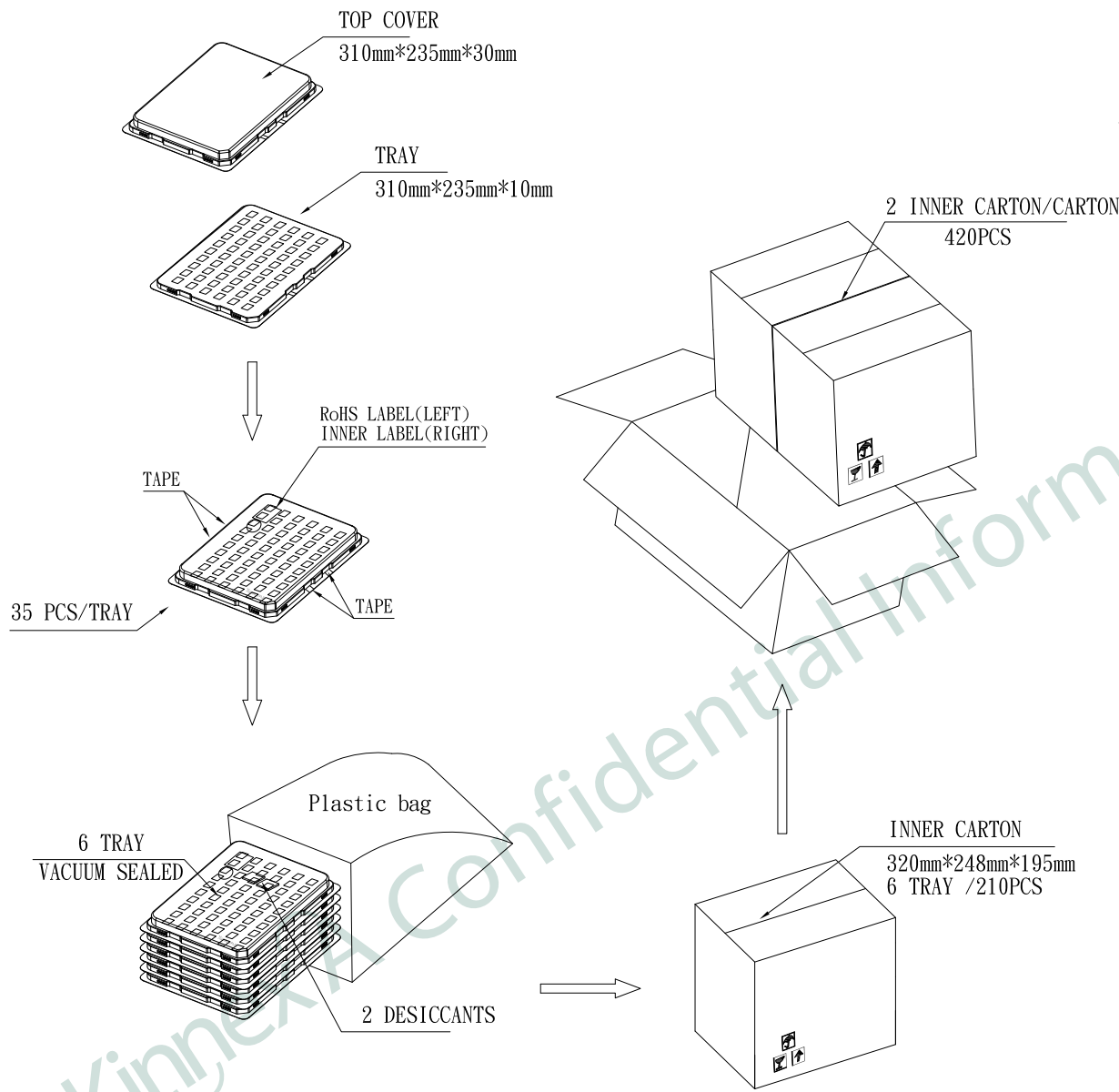
TEST NOTES:(25±5°C)

1. \square CL<100KHz,100mV>
180uH MINIMUM
- 2.HIPOT:
INPUT TO OUTPUT PIN: 1500 VAC/60SEC
- 3.INSERTION LOSS:
-0.5dB MAXIMUM AT 1MHz TO 50MHz
-1.0dB MAXIMUM AT 50MHz TO 125MHz
- 4.RETURN LOSS:
-20dB MINIMUM AT 1MHz TO 40MHz
-14dB MINIMUM AT 40MHz TO 100MHz
-9.5dB MINIMUM AT 100MHz TO 200MHz
- 5.CROSS TALK:
-35dB MINIMUM AT 1MHz TO 40MHz
-27.5dB MINIMUM AT 40MHz TO 125MHz
- 6.COMMON TO COMMON MODE REJECTION:
-30dB MINIMUM AT 30MHz TO 200MHz
- 7.CM TO DM REJECTION
-35dB MINIMUM AT 1MHz TO 125MHz
- 8.WORKING CURRENT FOR PoE+: 720mA DC MAX

| | | | | |
|---|--|-------------------|--------------|--------|
|  PART NO | | KQG-02A-0-GF2-070 | | |
| TITLE | RJ45 1X2, W/2.5G TRANSFORMER AND PoE+, W/O LED, SHIELDED | | | |
| REV : 01 | | | | |
| UNIT | DRAWN | CHKD | DATE | SHEET |
| mm[inch] | CINDY | DANIEL | Jan. 15, '18 | 3 of 5 |

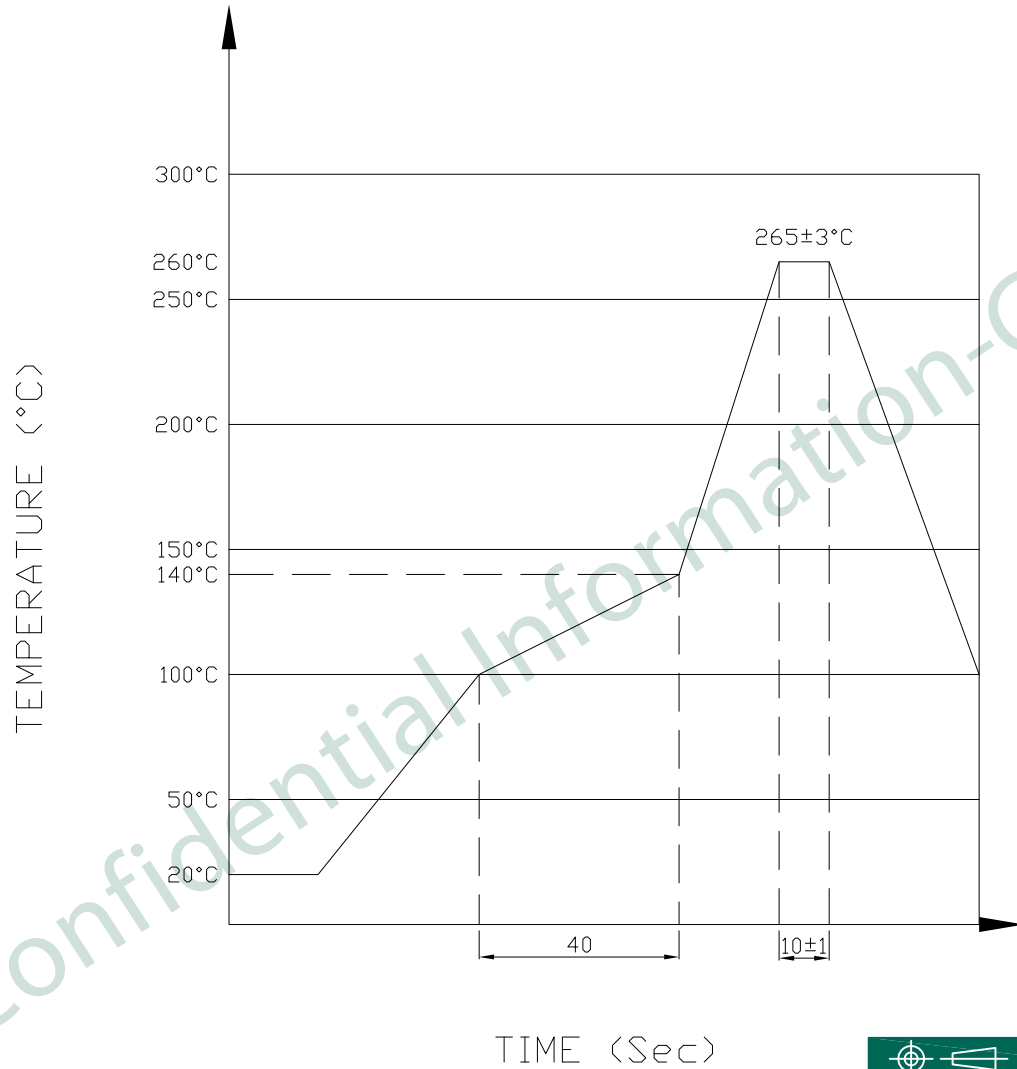
5. PACKING SPECIFICATION:

A
B
C
D
E
F



| | | | | |
|----------|--|-------------------|--------------|--------|
| PART NO | | KQG-02A-0-GF2-070 | | |
| TITLE | RJ45 1X2, W/2.5G TRANSFORMER AND PoE+, W/D LED, SHIELDED | | | |
| REV : 01 | | | | |
| UNIT | DRAWN | CHKD | DATE | SHEET |
| mm[inch] | CINDY | DANIEL | Jan. 15, '18 | 4 of 5 |

6. PROFILE OF WAVE SOLDER :



The measuring point for the specified temperature shall be on the soldered part of the lead

| | | | | |
|---------------------------|--|--------|--------------|--------|
| PART NO KQG-02A-0-GF2-070 | | | | |
| TITLE | RJ45 1X2, W/2.5G TRANSFORMER AND PoE+, W/O LED, SHIELDED | | | |
| REV : 01 | | | | |
| UNIT | DRAWN | CHKD | DATE | SHEET |
| mm[inch] | CINDY | DANIEL | Jan. 15, '18 | 5 of 5 |