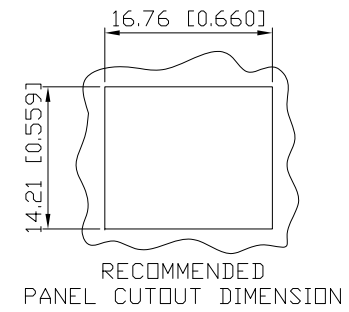
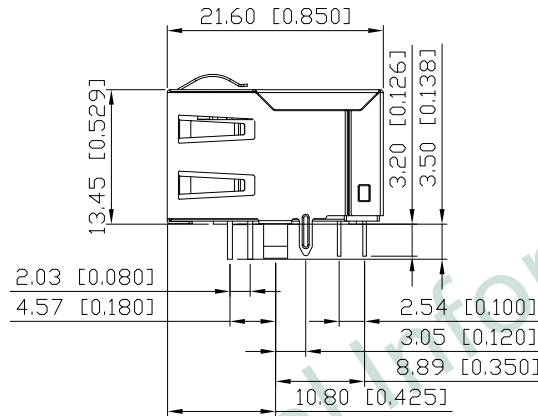
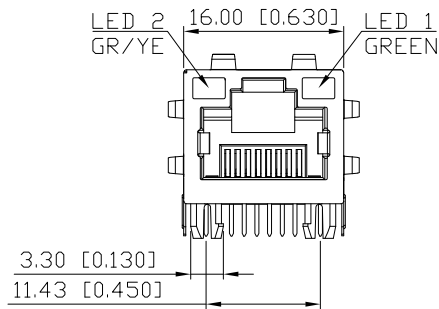
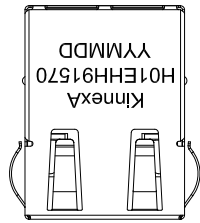


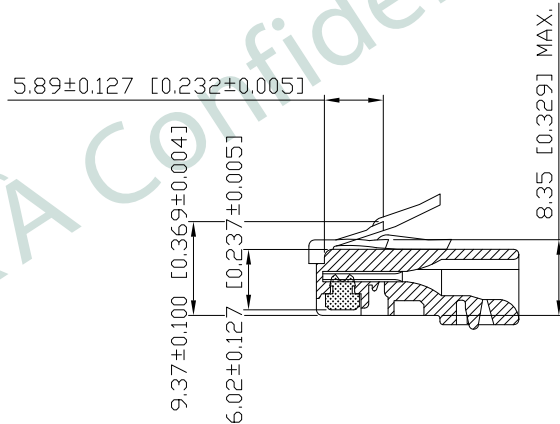
1. MECHANICAL DIMENSIONS :

REV.	DATE	DESCRIPTION
02	Sep. 28, '17	UPDATED PROFILE OF WAVE SOLDER & NOTES
01	Oct. 03, '16	1st RELEASE

- NOTES:
- MATERIAL:
HOUSING: HIGH THERMOPLASTIC, UL94V-0, COLOR-BLACK
CONTACTS: PHOS-BRONZE, 6u" GOLD PLATING ON CONTACT AREA,
NICKEL UNDERPLATING OVERALL
SHIELD: COPPER ALLOY, NICKEL PLATING
 - OPERATING TEMPERATURE: -40°C~+85°C
 - INSERTION FORCE: 4 POUNDS MAX.
EXTRACTION FORCE: 4 POUNDS MAX.
 - DURABILITY: 750 MATING CYCLED MIN.
 - CAVITY CONFORMS TO FCC RULES AND REGULATIONS PART 68,
SUBPART F.
 - UNSPECIFIED TOLERANCE: .XX ±0.25[0.010]
.X ±0.30[0.012]



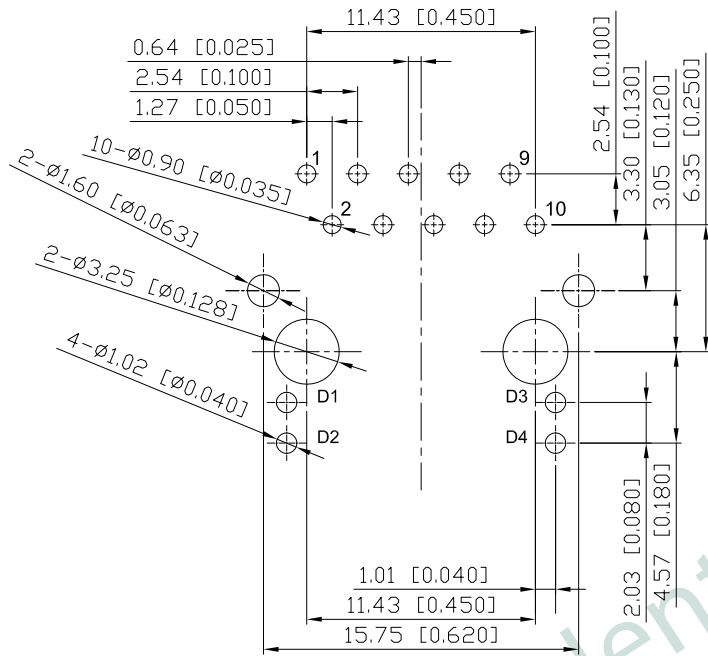
RECOMMENDED PLUG DIMENSION:



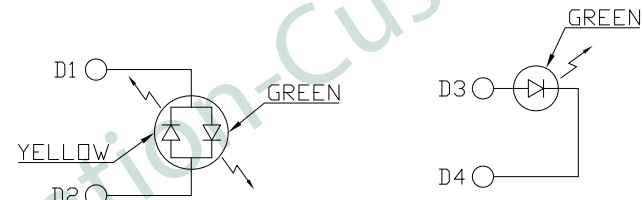
PART NO		KRH-01E-H-H91-570		
TITLE	RJ45, W/1G TRANSFORMER, W/LED, SHIELDED			
REV : 02				
UNIT	DRAWN	CHKD	DATE	SHEET
mm[inch]	BOCHEN	CINDY	Sep. 28, '17	1 of 5

2. PCB LAYOUT :

3. LED CONFIGURATION :



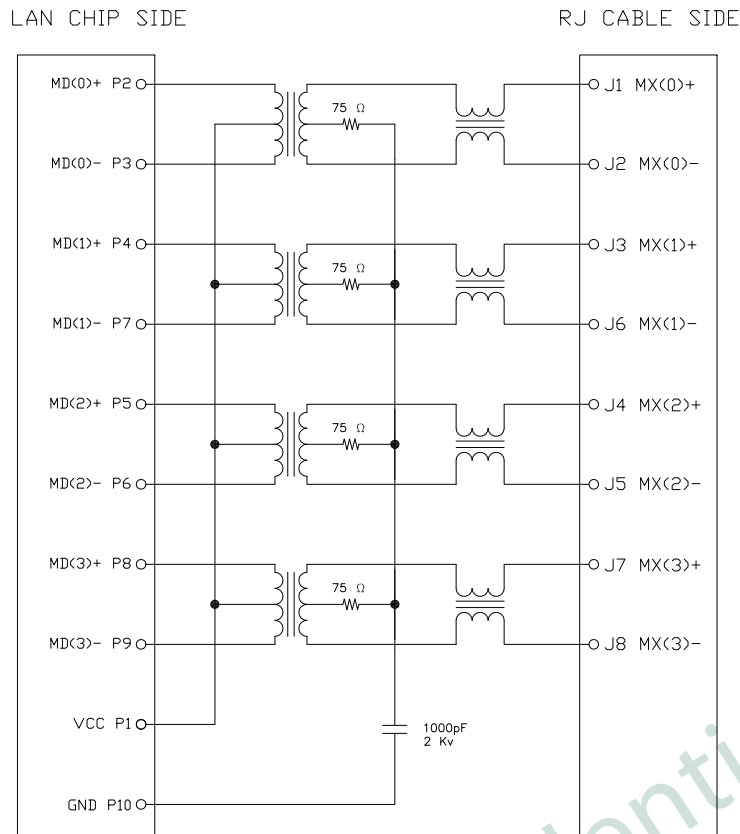
SUGGESTED PCB LAYOUT
(TOP VIEW) SCALE 2:1
DIMENSIONAL TOLERANCE: .XX ±0.08[0.003]



Color	VF(V) @20mA		IV(mcd) @20mA	IF(mA)	Peak wave Length λP(nm) @20mA
	Typ.	Max	Typ.	Typ.	Typ.
Green	2.2	2.6	8	20	570
Yellow	2.0	2.6	8	20	588
Green	2.2	2.6	10	20	570

PART NO		KRH-01E-H-H91-570		
TITLE	RJ45, W/1G TRANSFORMER, W/LED, SHIELDED			
REV : 02				
UNIT	DRAWN	CHKD	DATE	SHEET
mm[inch]	BOCHEN	CINDY	Sep. 28, '17	2 of 5

4. SCHEMATIC :



5. ELECTRICAL CHARACTERISTICS :

TEST NOTES:(25±5°C)

- 1.TR:
INPUT TO OUTPUT=1:1±3%
- 2.LX:(100KHz,100mV,8mA, DC Bias)
350uH MINIMUM
- 3.DCR:
EVERY RJ PAIR=1.2 Ω MAXIMUM
- 4.HIPDT:
INPUT TO OUTPUT PIN: 1500 VAC/60SEC
- 5.INSERTION LOSS:
-0.8dB MAXIMUM AT 0.3MHz TO 100MHz
-1.2dB MAXIMUM AT 100MHz TO 125MHz
- 6.RETURN LOSS:
-20dB MINIMUM AT 1MHz TO 10MHz
-16dB MINIMUM AT 30MHz
-12dB MINIMUM AT 60MHz TO 100MHz
- 7.CROSS TALK:
-40dB MINIMUM AT 1MHz TO 10MHz
-35dB MINIMUM AT 30MHz TO 60MHz
-30dB MINIMUM AT 60MHz TO 100MHz
- 8.COMMON TO COMMON MODE REJECTION:
-30dB MINIMUM AT 300KHz TO 100MHz

KRH-01E-H-H91-570

PRODUCT SERIES
KRH: LATCH UP

MECHANICAL TYPE
01E: KRH 1 PDRT, LENGTH=21.6mm,
STAGGERED PINS
LED COLOR OPTION

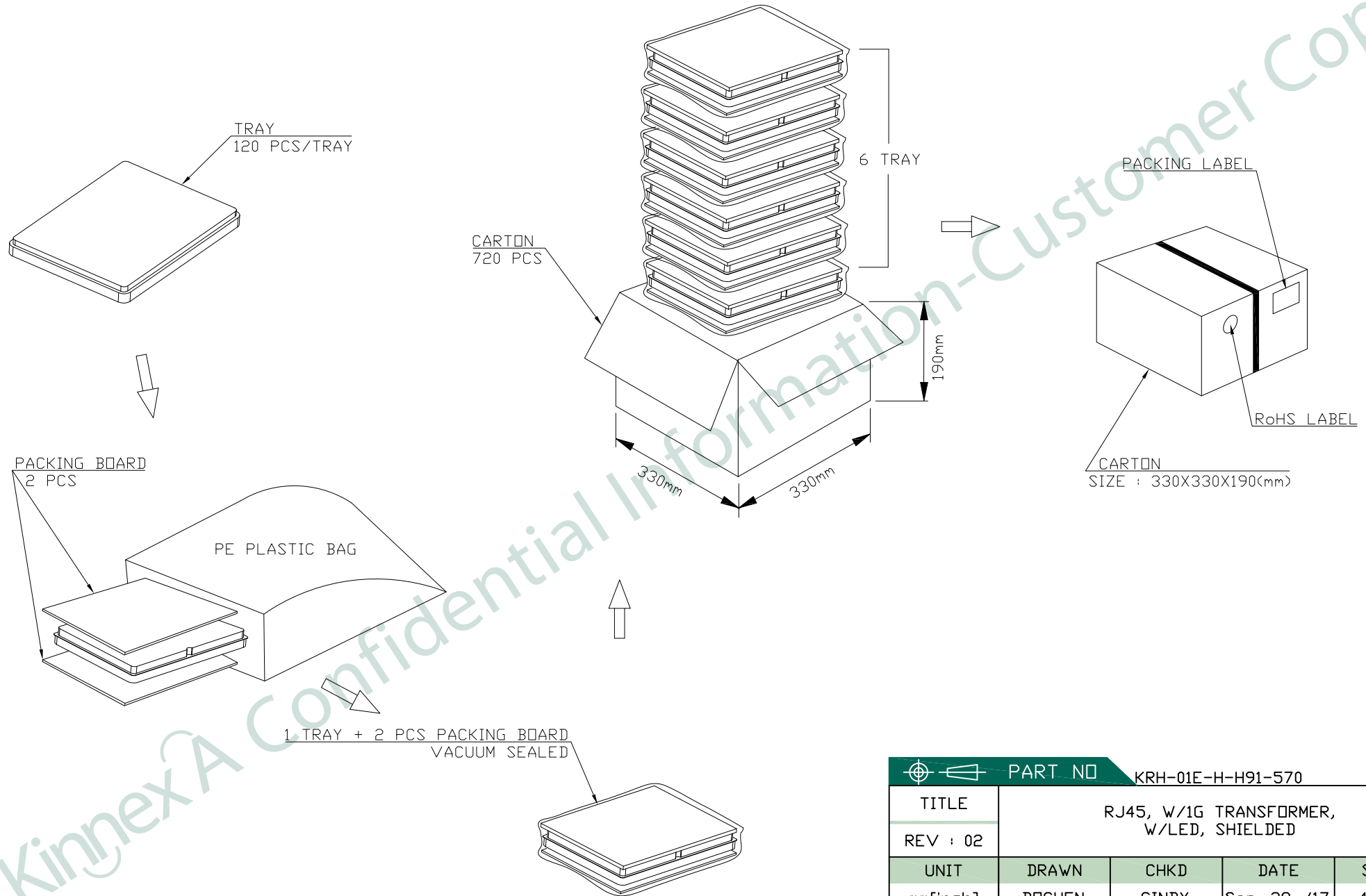
CIRCUIT TYPE

SPECIAL CODE
0: STANDARD

SHIELDED TYPE
7: EMI FINGER ON ALL SIDE
LED POLARITY
5: BI-COLOR, +-

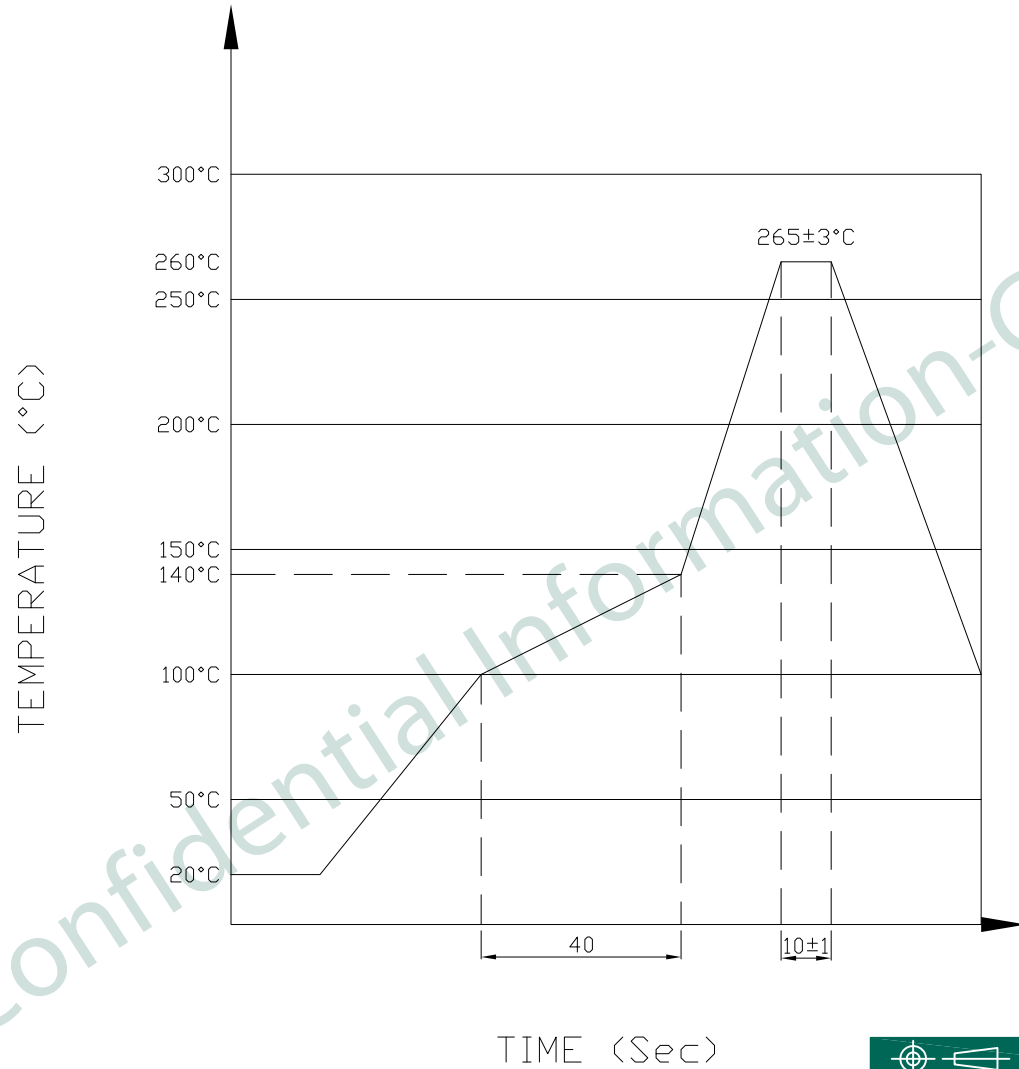
PART NO		KRH-01E-H-H91-570		
TITLE	RJ45, W/1G TRANSFORMER, W/LED, SHIELDED			
REV : 02				
UNIT	DRAWN	CHKD	DATE	SHEET
mm[inch]	BOCHEN	CINDY	Sep. 28, '17	3 of 5

6. PACKING SPECIFICATION:



RoHS Compliant

7. PROFILE OF WAVE SOLDER : \triangle_{02}



The measuring point for the specified temperature shall be on the soldered part of the lead

PART NO KRH-01E-H-H91-570				
TITLE	RJ45, W/1G TRANSFORMER, W/LED, SHIELDED			
REV : 02				
UNIT	DRAWN	CHKD	DATE	SHEET
mm[inch]	BOCHEN	CINDY	Sep. 28, '17	5 of 5