



- 10/100/1000 Gigabit for Ethernet and Networking Applications
- Transmit open circuit inductance (OCL):
(OCL): 350uH (MIN) @100KHz,0.1VRMS with 8mA DC Bias
- RJ45 jack cavity conforms to FCC rules and regulations
Part 68, SUB Part F
- Standard operating temp: 0°C to +70°C
- Storage temperature range: -40°C to +85°C

Electrical Specifications @ 25°C

Part Number	OCL(uH Min) @ 100KHz, 0.1V	Turns Ratio chip: cable (±5%)	DC Resistance	Insertion Loss (dB Min)	
	With 8mA DC Bias			1-100MHz	100-125MHz
ARLP11-4321	350	1CT:1CT	-1.2 Ω Max	-1.0	-1.2

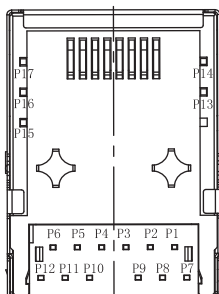
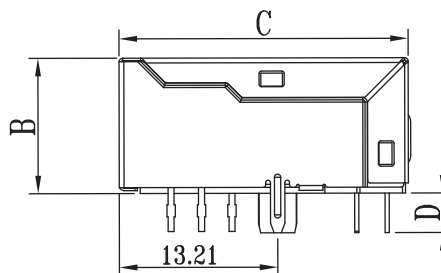
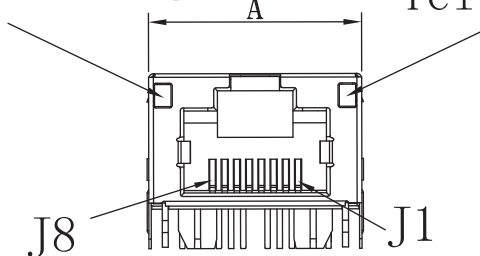
Electrical Specifications @ 25°C

Part Number	Return Loss (dB Min)				Cross Talk (dB Min) 1-100MHz	Common To Common Mode (dB Min) 1-100MHz	Isolation PHY Side to Line Side 2250 VDC
	1-40MHz	40-60MHz	60-80MHz	80-100MHz			
ARLP11-4321	-16	-12	-10	-8	-30	-30	2250 VDC

All specifications subject to change without notice.

MECHANICAL

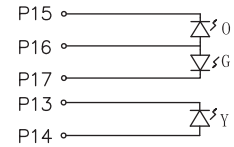
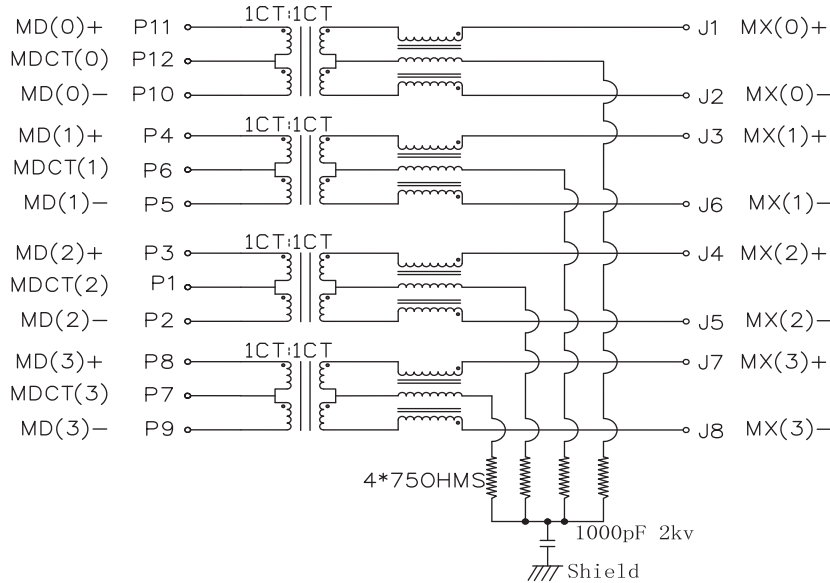
Green/Orange Yellow



UNIT : mm / inch
 A = 17.78 / 0.700
 B = 11.30 / 0.445
 C = 24.13 / 0.950
 D = 3.30 / 0.130

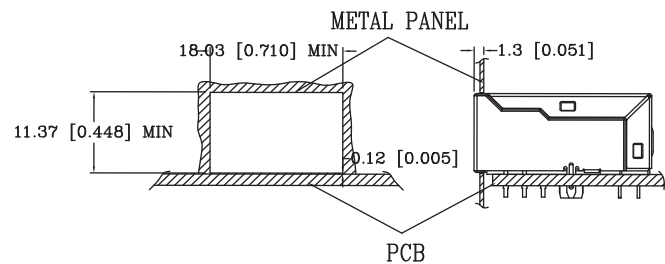
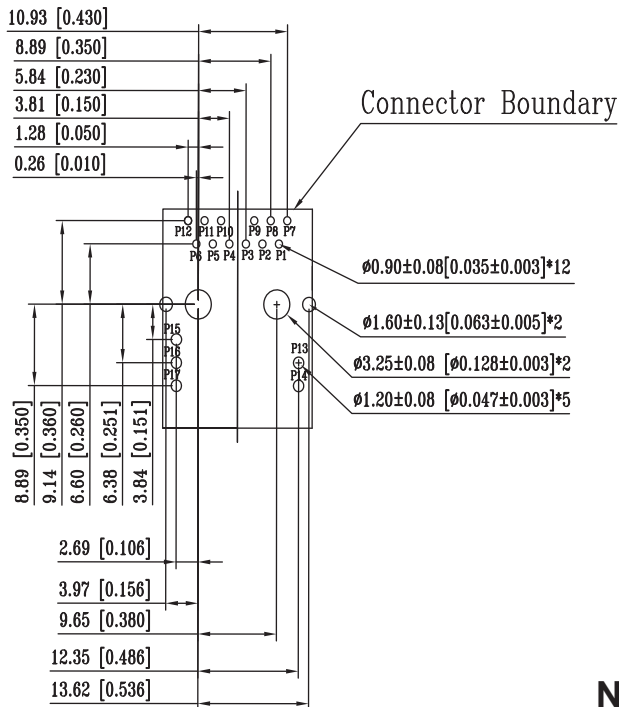


SCHEMATICS



Pin	Yellow	Orange	Green
P13	-	P15 -	
P14	+	P16 +	+
		P17	-

PCB LAYOUT



NOTES

- CONNECTOR MATERIAL:
HOUSING: THERMOPLASTIC BLACK UL94 V-0
SHIELD: BRASS
SHIELD PLATING: NICKEL
CONTACT: PHOSPHOR BRONZE
CONTACT PLATING: SELECTIVE GOLD, 6 MICRO-INCHES MIN IN CONTACT AREA
- PIN NOT ELECTRICALLY CONNECTED MAYBE OMITTED, SEE ELECTRICAL DRAWING FOR OMITTED PINS.
- THE PART IS RECOMMENDED FOR WAVE SOLDERING PROCESS PEAK SOLDERING TEMPERATURE IS 260°C MAX, 10 SECS MAX.