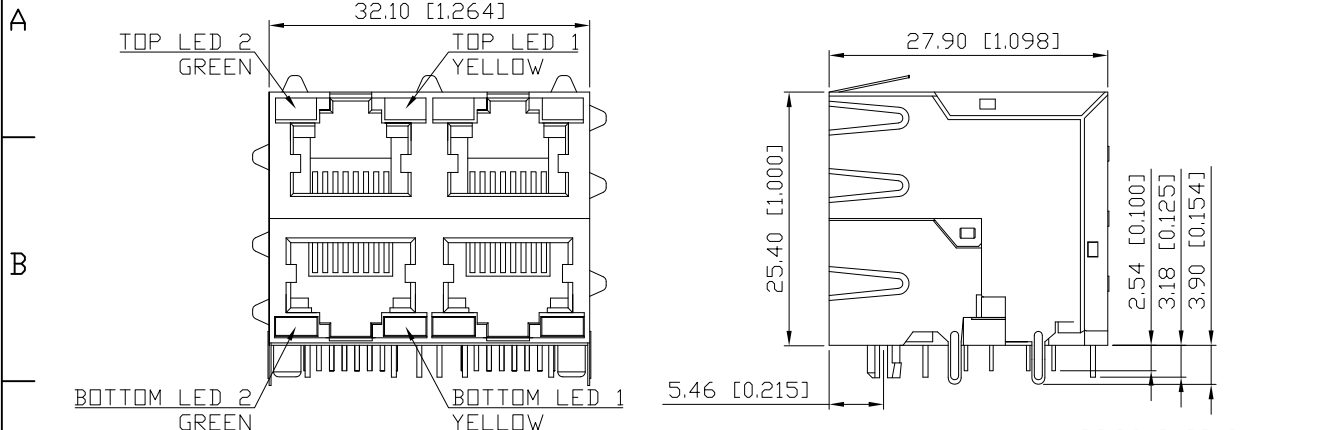
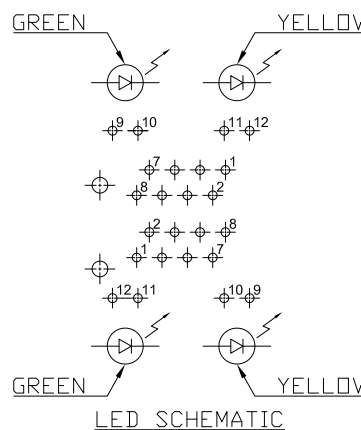
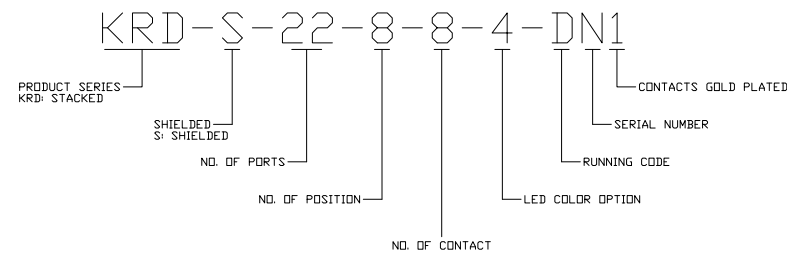
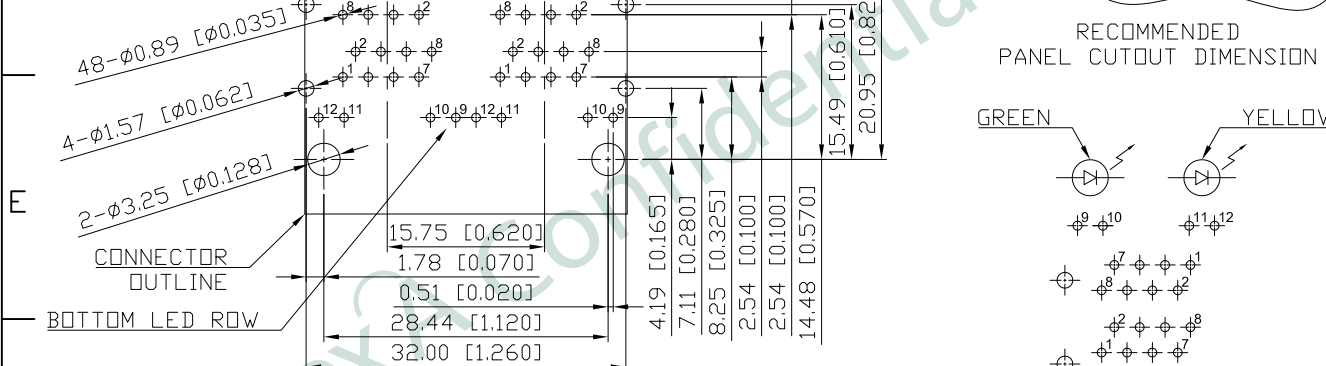
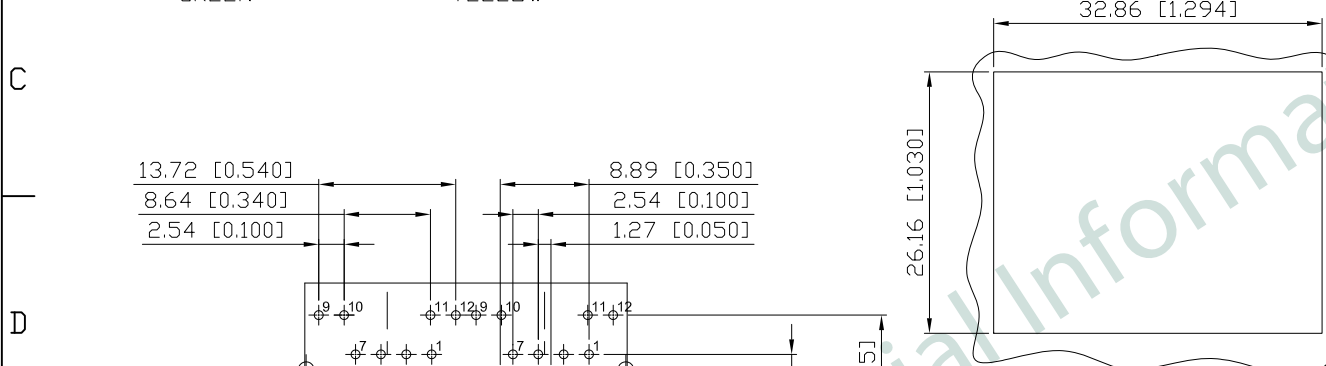


1. MECHANICAL DIMENSIONS :

REV.	DATE	DESCRIPTION
A	Dec. 20, '16	1st RELEASE

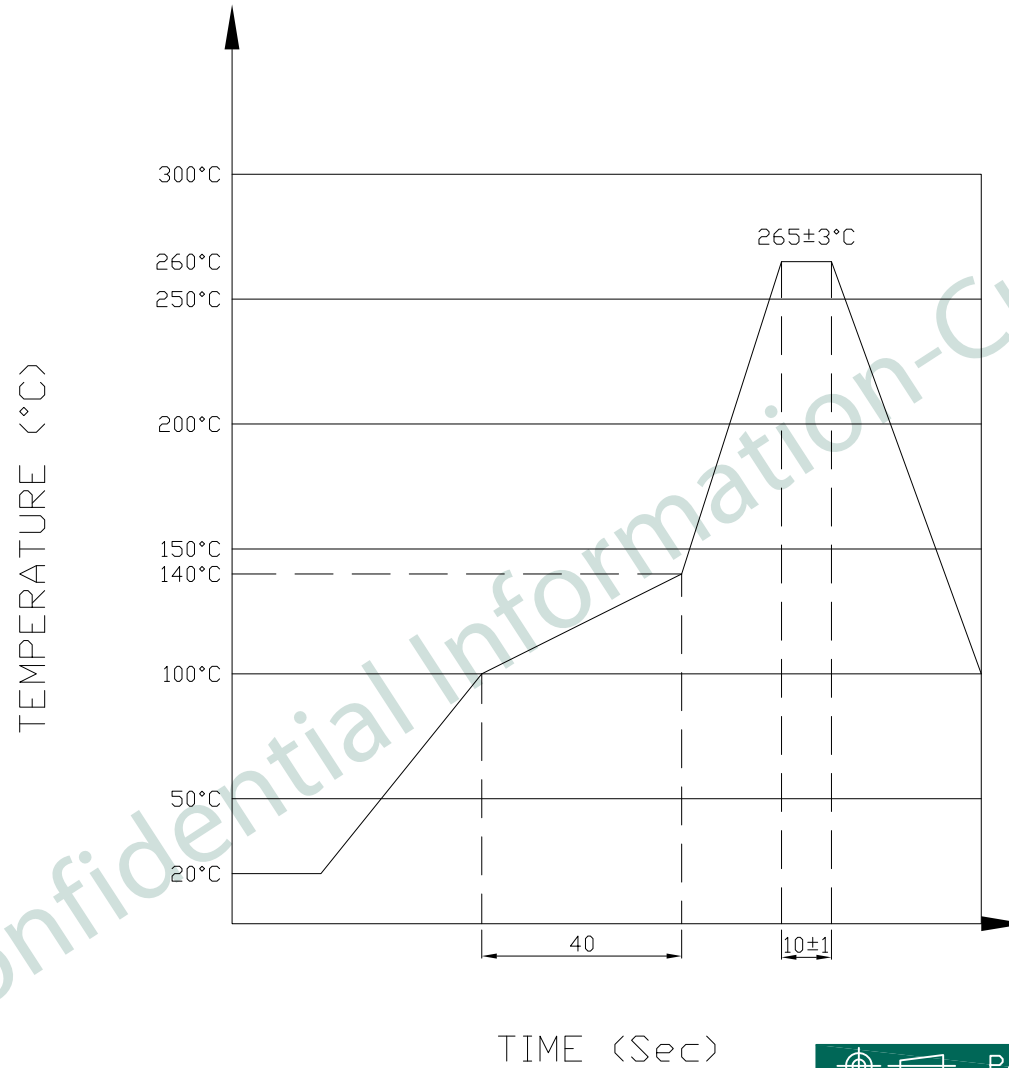


- NOTES:
- MATERIAL:  
HOUSING: HIGH TEMP. THERMOPLASTIC, UL94V-0, BLACK  
CONTACTS: T=0.35mm PHOS-BRONZE, PLATED 15u" GOLD ON CONTACT AREA, UNDERPLATED NICKEL ON ALL AREA, TIN ON TERMINATION END  
SHIELD: T=0.25mm COPPER ZINC ALLOY, PLATED NICKEL
  - OPERATING TEMPERATURE: -40°C~+85°C
  - INSERTION FORCE: 4 POUNDS MAX.  
EXTRACTION FORCE: 4 POUNDS MAX.
  - DURABILITY: 750 MATING CYCLED MIN.
  - CAVITY CONFORMS TO FCC RULES AND REGULATIONS PART 68, SUBPART F.
  - UNSPECIFIED TOLERANCE: .XX ±0.25[0.010]  
.X ±0.30[0.012]




PART NO		KRDS-22-8-8-4-DN1		
TITLE	RJ45 2X2 8P8C, W/LED, SHIELDED, STACKED TYPE			
REV : A				
UNIT	DRAWN	CHKD	DATE	SHEET
mm[inch]	DANIEL	RYAN	Dec. 20, '16	1 of 2

2. PROFILE OF WAVE SOLDER :



The measuring point for the specified temperature shall be on the soldered part of the lead

 PART NO KRD-S-22-8-8-4-DN1				
TITLE	RJ45 2X2 8P8C, W/LED, SHIELDED, STACKED TYPE			
REV : A				
UNIT	DRAWN	CHKD	DATE	SHEET
mm[inch]	DANIEL	RYAN	Dec. 20, '16	2 of 2