



- 10/100 Base-T Ethernet Application
- Impedance: 100Ω
- Transmit open circuit inductance (OCL): 350μH Min @100KHz, 0.1VRMS with 8mA DC Bias
- RJ45 jack cavity conforms to FCC rules and regulations Part 68, Sub Part F
- Industrial Operating Temp: -40°C to +85°C

Electrical Specifications @ 25°C

Part Number	OCL(μH Min) @ 100kHz, 0.1V With 8mA DC Bias	Turns Ratio chip: cable (±2%)	Insertion Loss (dB Max)		Return Loss (dB Min)	
			0.3-100MHz	30MHz	50MHz	80MHz
AR11-3720I	350	1CT:1CT	-1.0	-18	-15	-12

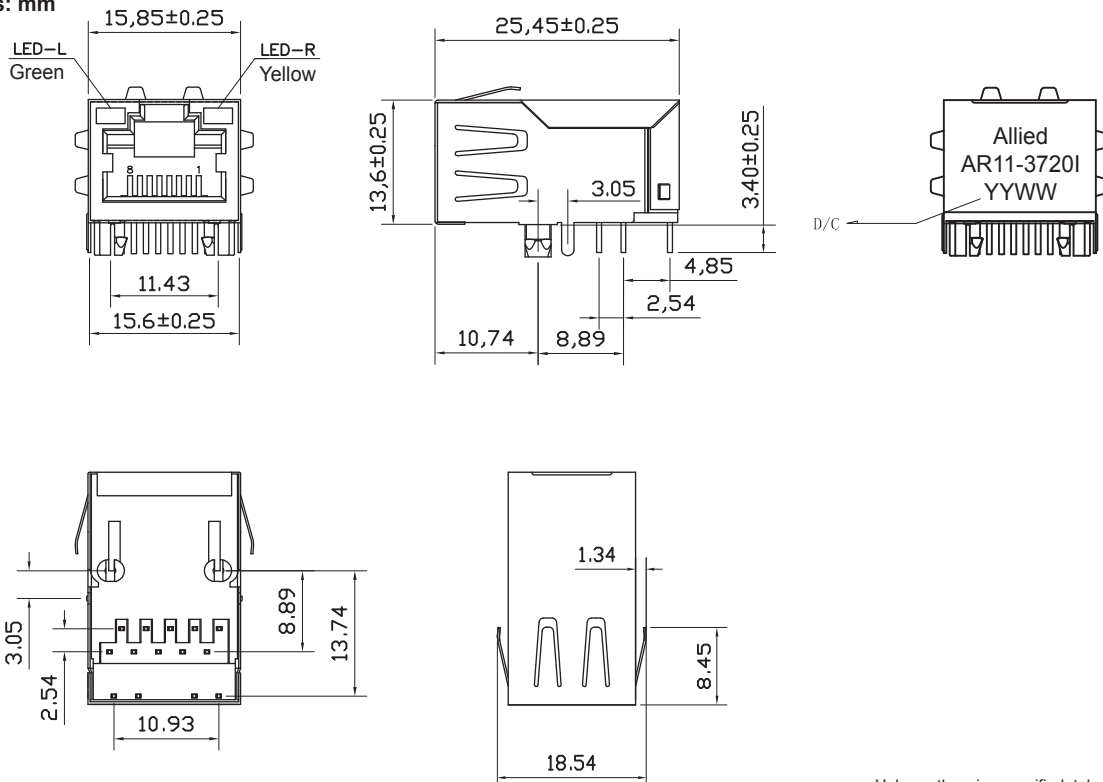
Electrical Specifications @ 25°C

Cross Talk (dB Min)			CMR (dB Min)			HI-POT (Vrms) 1.0mA/3Sec.
30MHz	60MHz	100MHz	30MHz	60MHz	100MHz	
-38	-38	-38	-40	-40	-40	1500

All specifications subject to change without notice.

MECHANICAL

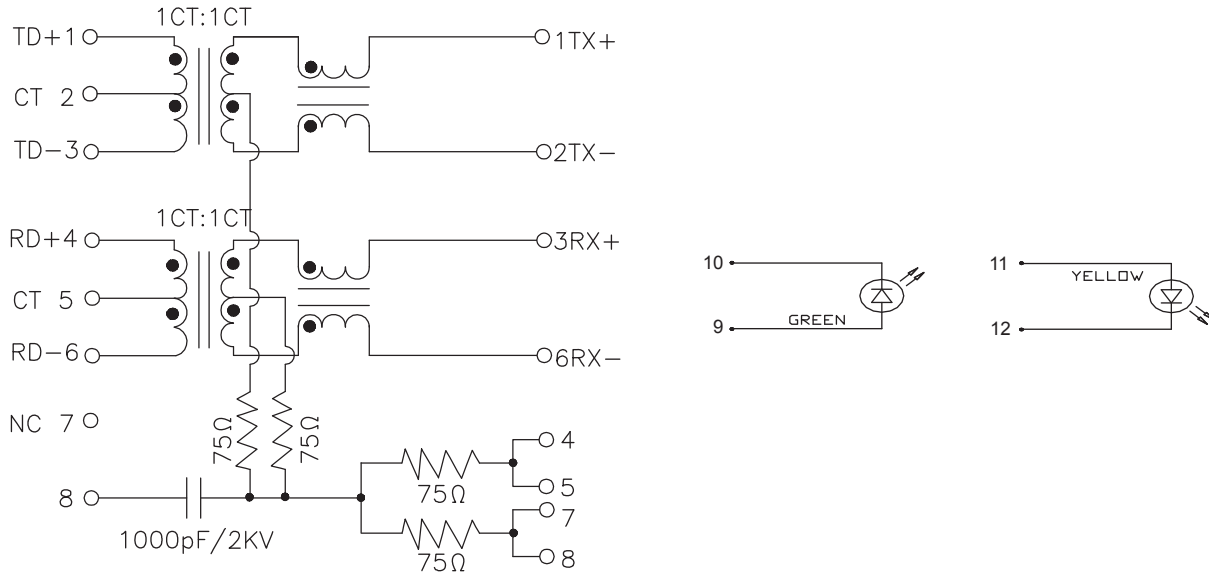
Dimensions: mm



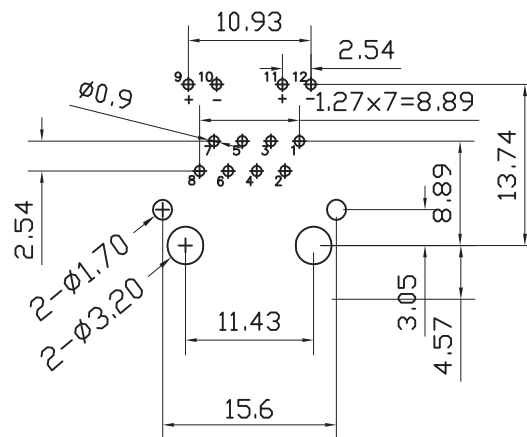
Unless otherwise specified, tolerance is ±0.20 mm



**SCHEMATICS**



**PCB LAYOUT**



**NOTES**

1. Shield- 0.20mm THICKNESS BRASS C2680 H.  
Plating Nickel 30μ"-50μ"
2. Housing- Standard Material Nylon66, Glass filled  
Polyester UL94V-0 Standard Color Black.
3. RJ Terminal- Plastic: Nylon66, GF UL94V-0, Standard  
Color Black.  
Pin: 0.35mm Thickness Phos-Bronze C5210 EH.  
Plating: Nickel 40μ"-60μ" for all and Sn 100%, and  
6u" Gold Plating.
4. Input Terminal: Plastic: Nylon66, Glass Filled, UL94V-0,  
Standard Color Black.  
Pin: 0.35mm Thickness Phos-Bronze SUS430.  
Plating: Nickel 40μ"-60μ" for all and Sn 100%.