

# SCNRJ - 88SGNSNN - 482A SO RTH

**SUNTSU** | **RJ45**  
**CONNECTOR**

**CONTACTS**  
 8 : 8

**MAGNETIC**  
 N : None

**EMI Finger**  
 N : None

**OPERATING TEMP**  
 48 : -40~85°C

**CONTACT TERMINATION**  
 SO : SOLDER

**POSITIONS**  
 8 : 8

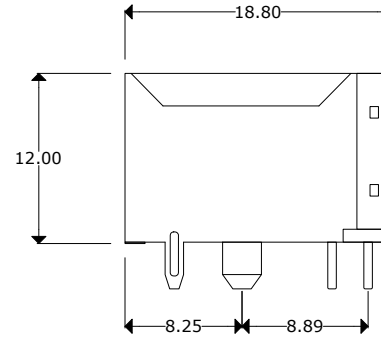
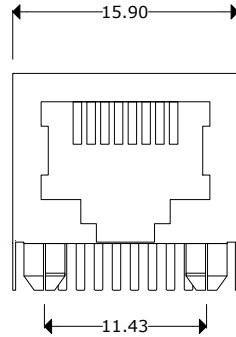
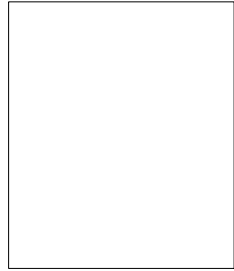
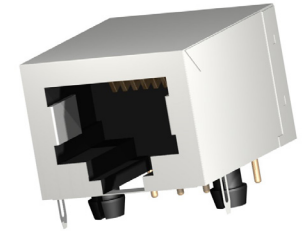
**CONTACT PLATING**  
 SG : Selective Gold Plating

**SHIELD**  
 S : With

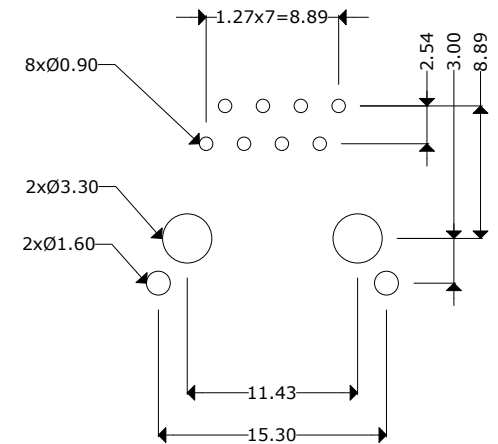
**LED COLOR**  
 N : None

**HEIGHT**  
 2A : 12mm

**MOUNTING STYLE**  
 RTH : Right Angle Through Hole



## PC Board Layout



### Electrical Parameters

Voltage Rating: 125V  
 Current Rating: 1.5A  
 Contact Resistance: 30mΩ Max  
 Insulation Resistance: 500MΩ/min.  
 Dielectric Withstanding Voltage: 1000V

### Materials

Housing: Glass Fiber, PBT UL94V-0, Black  
 Contact: Tin plated over Nickel  
 Conductor: 0.35mm thickness phosphor bronze  
 Plating: Gold plated over nickel

Remarks:  
 Operating Life: 750 Cycles MIN.



**RJ45 JACK SHIELDED SIDE ENTRY**

Document History				Part No.	Drawn
Edits Made	Date	Edited By	Approved By	SCNRJ-88SGNSNN-482ASORTH	B. Gibbons 10/25/2021
Initial Release	10/25/2021	B. Gibbons	KH Mun	Scale	Tolerance
				Not drawn to scale	.x±0.25 Unless otherwise stated, tolerances are .xx±0.20
				Unit	Pages
				mm	1/1