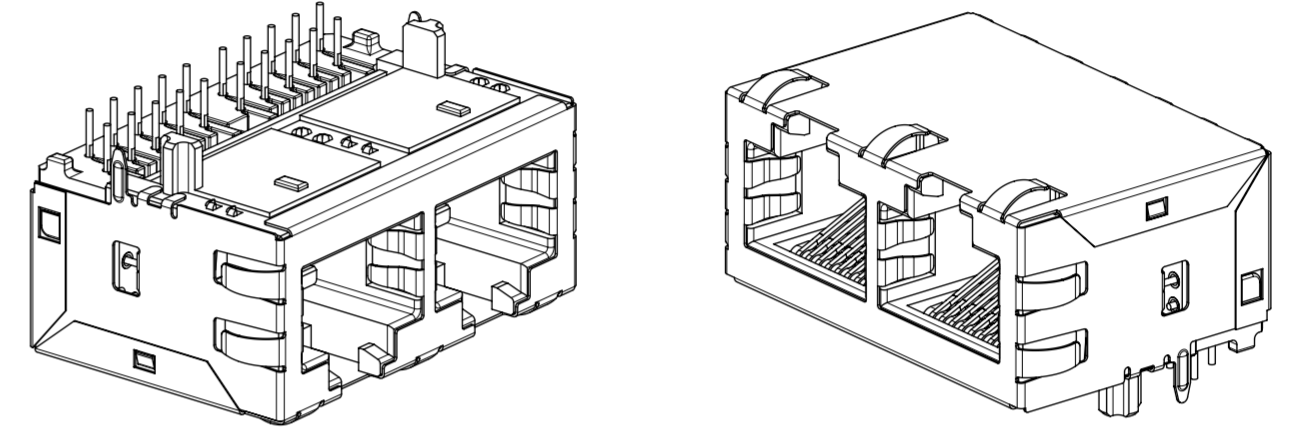
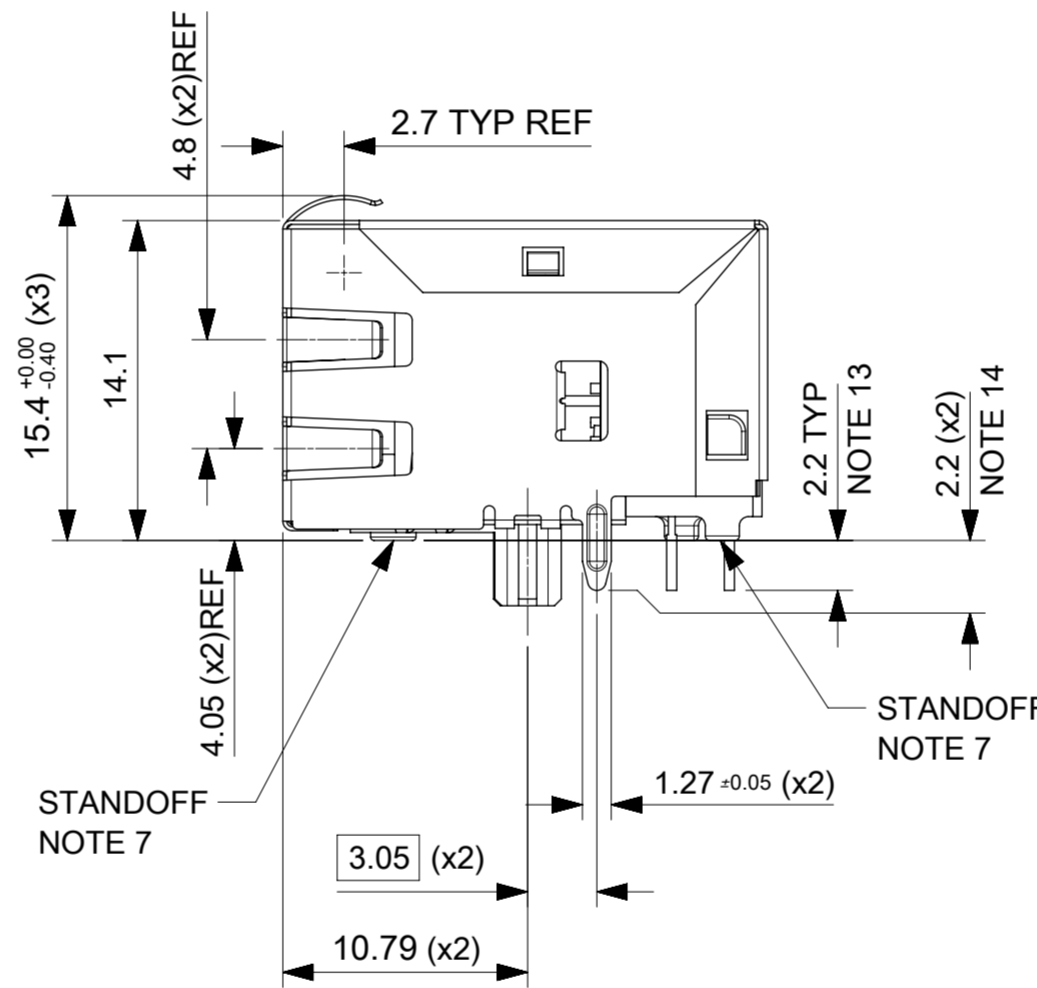
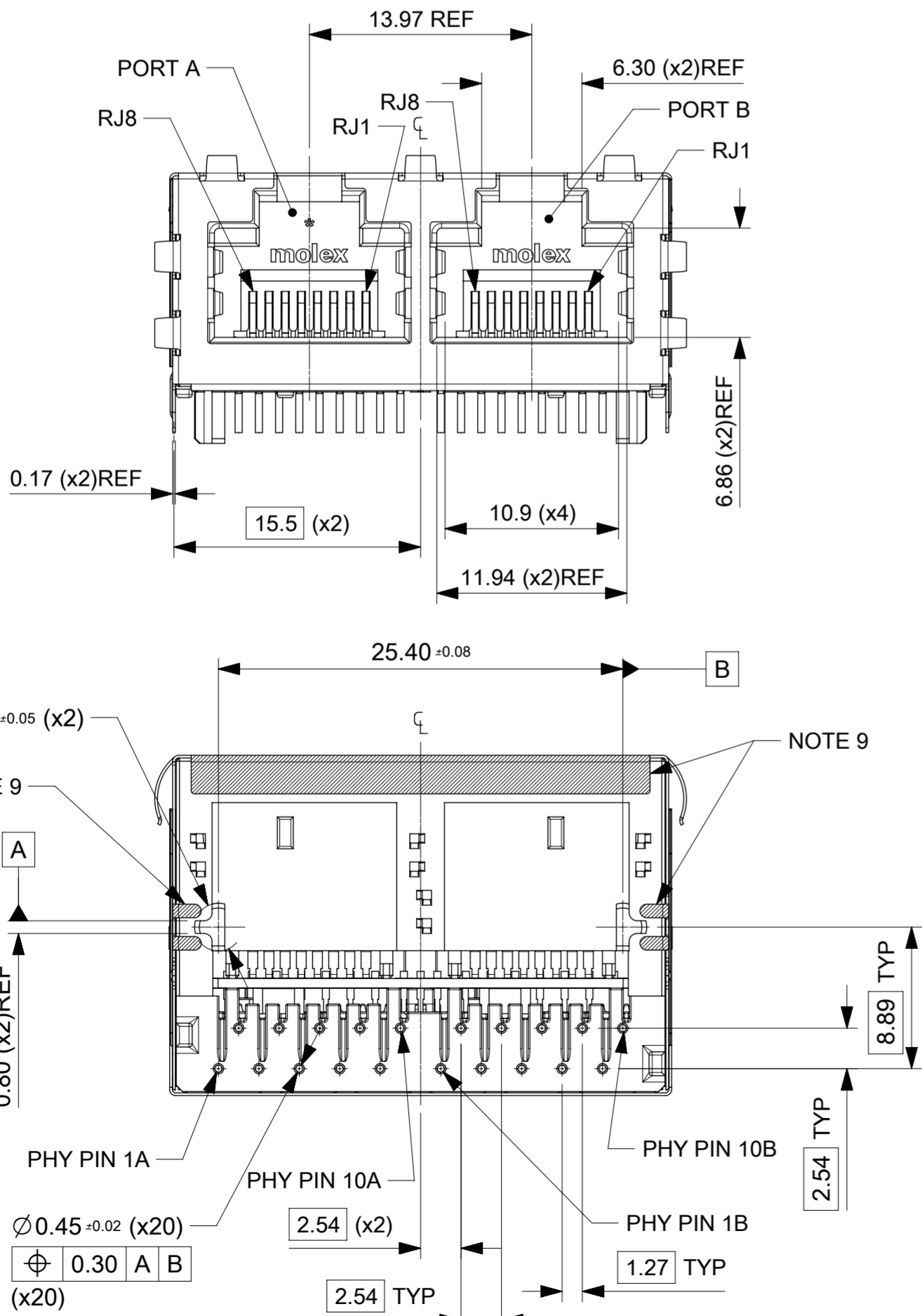


PART NUMBER 938388020



INVERTED PROFILE DUAL PORT MAGNETIC JACK  
GIGABIT ETHERNET  
WITH SHIELD TABS



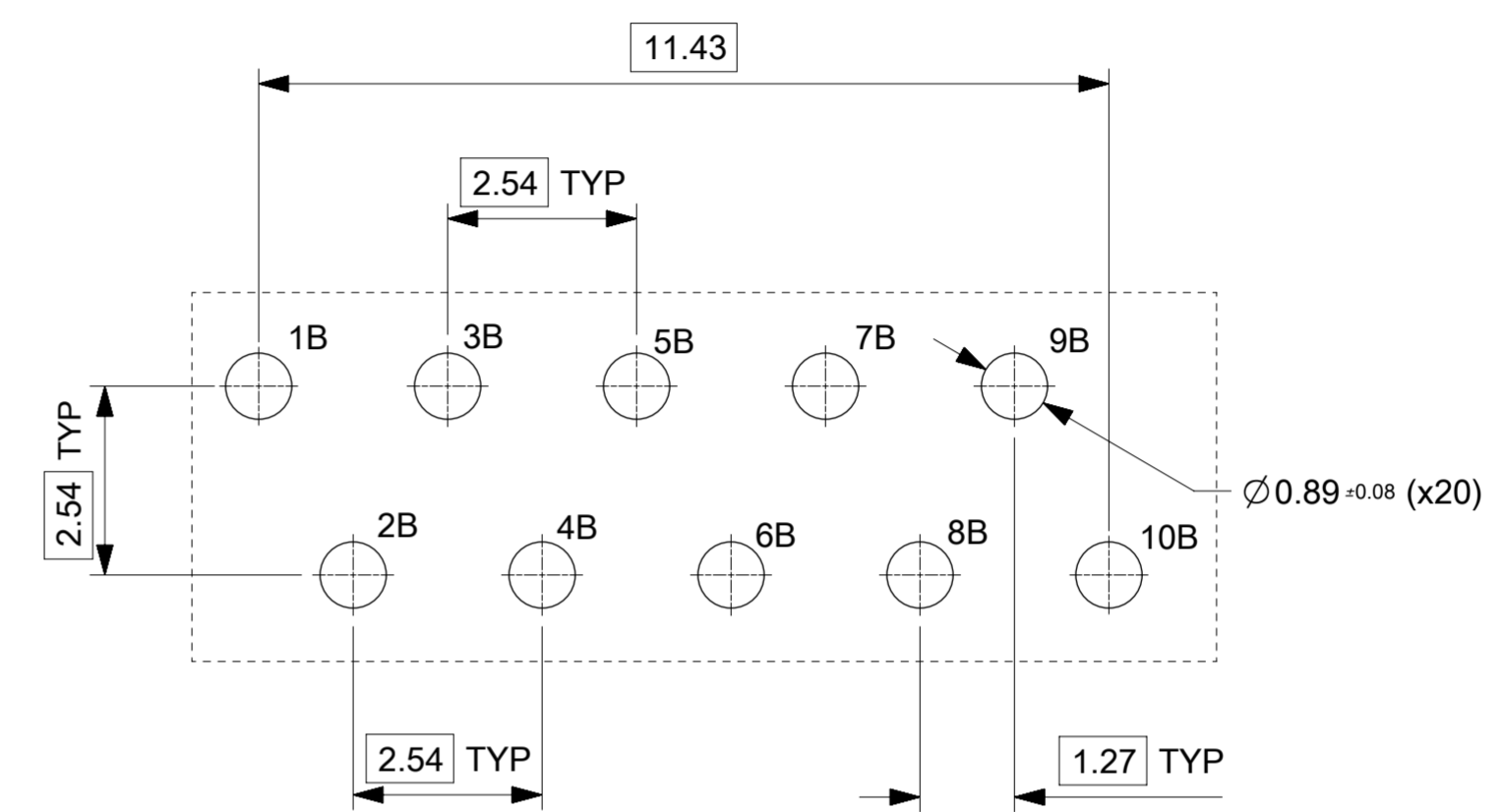
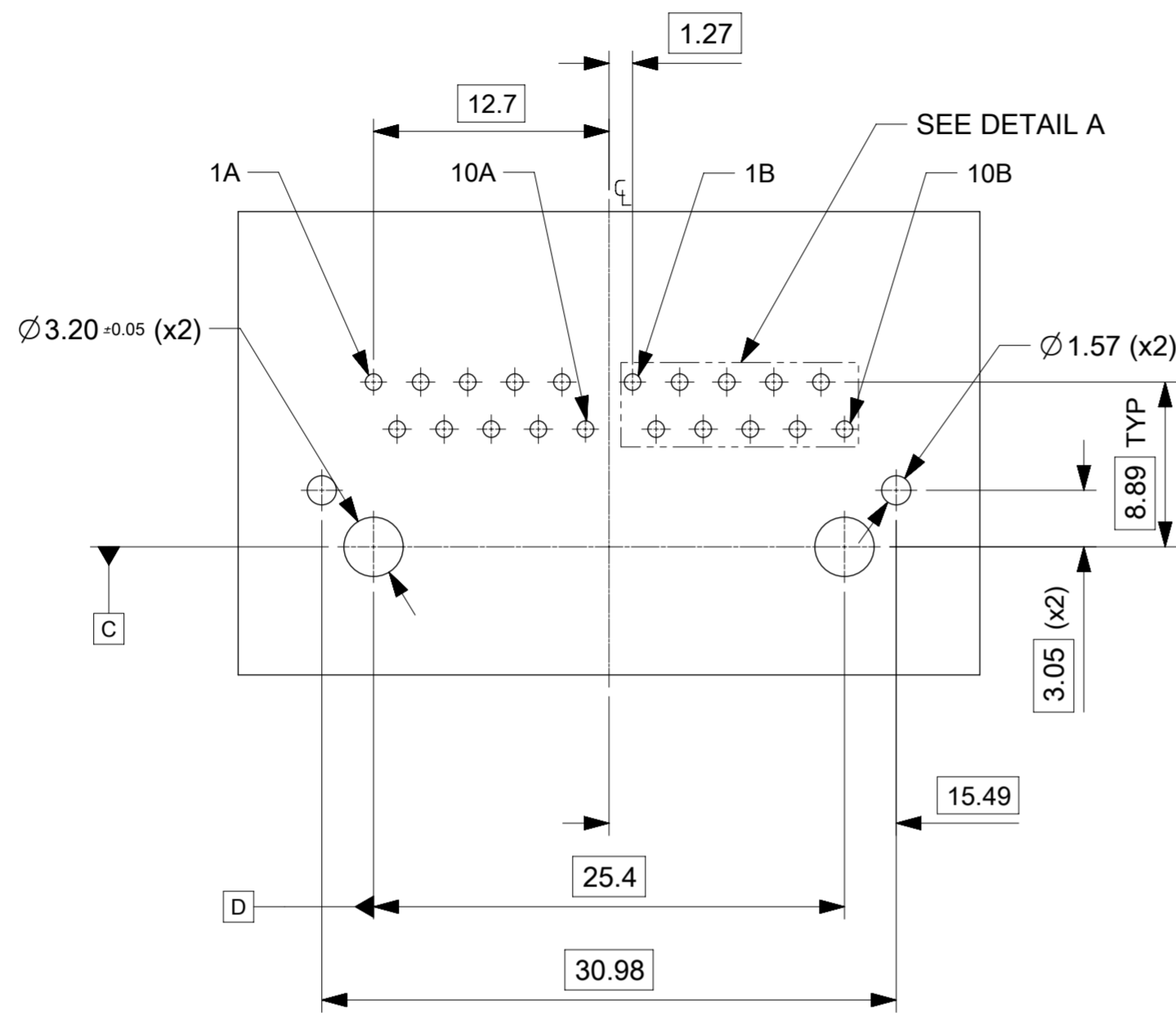
NOTES:

- SHIELD MATERIAL: 0.17 mm THICK BRASS PRE-PLATED WITH NICKEL  
SOLDER TABS POST DIPPED WITH MIN. 1.27 μm TIN
- HOUSING MATERIAL: LCP, BLACK, UL 94V-0
- TERMINALS MATERIAL: PHOSPHOR BRONZE  
RJ45 CONTACTS PLATING: BASE NICKEL PLATED WITH GOLD  
FLASH OVER PALLADIUM NICKEL. REFER TO 934620001 PSP  
PHY SOLDER TAILS: COPPER ALLOY WITH TIN OVER NICKEL PLATING
- MATING INTERFACE ACCORDING TO IEC 60603-7 & TIA-1096-A
- PRODUCT SPECIFICATION: 934620001 PSP
- PACKAGING SPECIFICATION: 938240002 PSK TAPE & REEL
- STAND OFF TO SYSTEM BOARD 0.30 mm MIN
- RECOMMENDED PCB THICKNESS: 1.6 mm
- SHIELD: AVOID ROUTING TRACES  
OR PLACING ANY VIAS BELOW THESE AREAS.
- INSCRIPTION MARKED BY LASER:  
1st: MOLEX  
2nd: PART NUMBER
- INSCRIPTION MARKED BY LASER:  
DATE CODE (DAY/WEEK/YEAR)
- THIS AREA OF THE TOP FACE MAY BE USED FOR PICK AND PLACE
- PHY PIN LENGTH
- SHIELD SOLDER TAB LENGTH

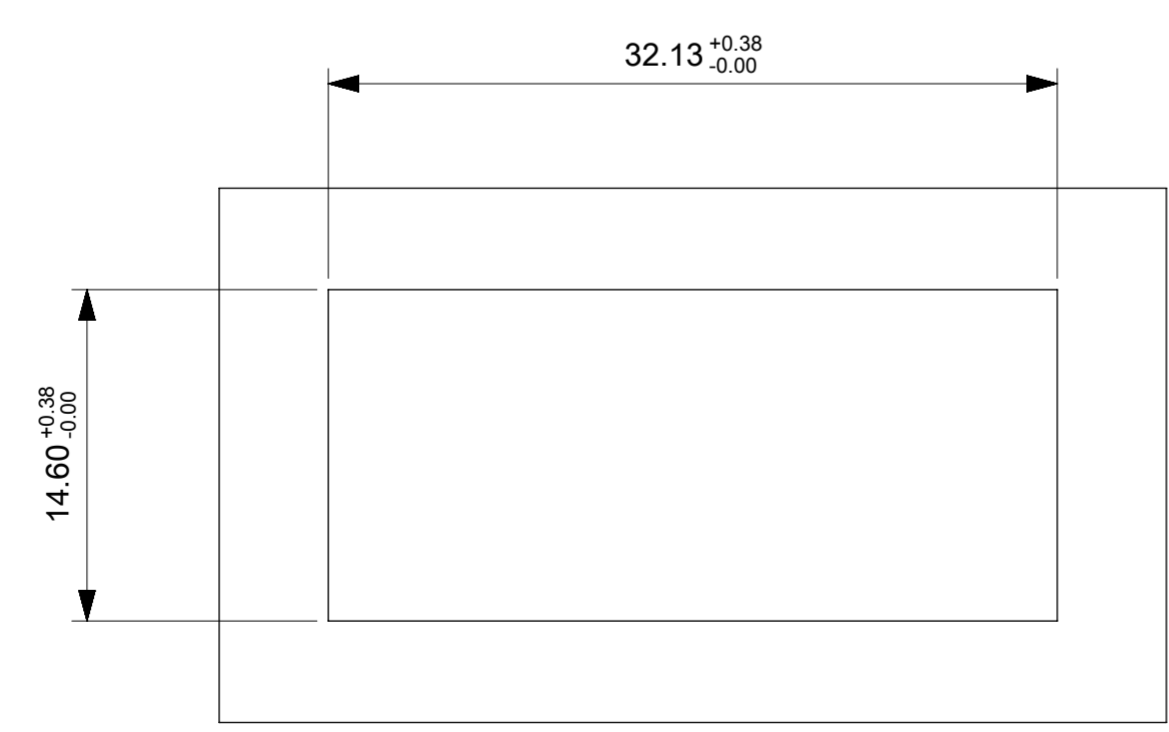
THIS DRAWING CONTAINS INFORMATION THAT IS PROPRIETARY TO MOLEX ELECTRONIC TECHNOLOGIES, LLC AND SHOULD NOT BE USED WITHOUT WRITTEN PERMISSION

DIMENSION UNITS <b>mm</b>	SCALE <b>3:1</b>	CURRENT REV DESC: ORIGINAL RELEASE	<b>molex</b>		
GENERAL TOLERANCES (UNLESS SPECIFIED)					
ANGULAR TOL ± 2.0°	4 PLACES ±	EC NO: 606029	PRODUCT CUSTOMER DRAWING		
3 PLACES ±	2 PLACES ± 0.1	DRWN: DSHEA 2018/10/16	DOCUMENT NUMBER	DOC TYPE	DOC PART
1 PLACE ± 0.2	0 PLACES ±	CHK'D: DBYRNES 2018/11/05	<b>938380002</b>	PSD	000
DRAFT WHERE APPLICABLE MUST REMAIN WITHIN DIMENSIONS	THIRD ANGLE PROJECTION	APPR: DBYRNES 2018/11/05	SHEET NUMBER	REVISION	
	DRAWING	INITIAL REVISION:	SEE CHART	GENERAL MARKET	
	SERIES	DRWN: DSHEA 2018/08/23	93838	1 OF 3	
		APPR: DBYRNES 2018/11/05			

RECOMMENDED PCB LAYOUT  
GIG VERSION W/O LED  
COMPONENT SIDE  
ALL DIMENSIONS REF DIMENSIONS



DETAIL A  
SCALE 10:1

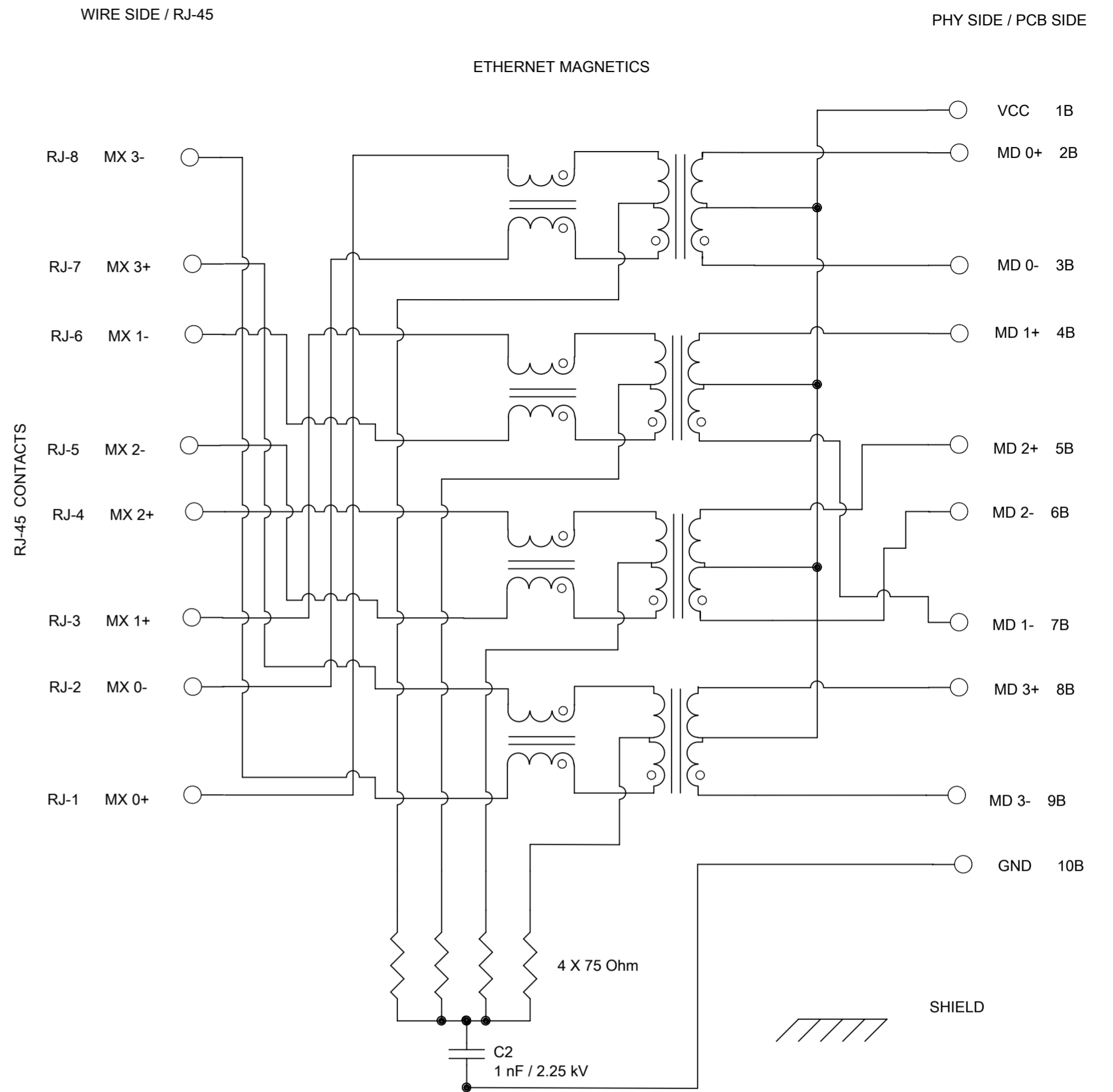
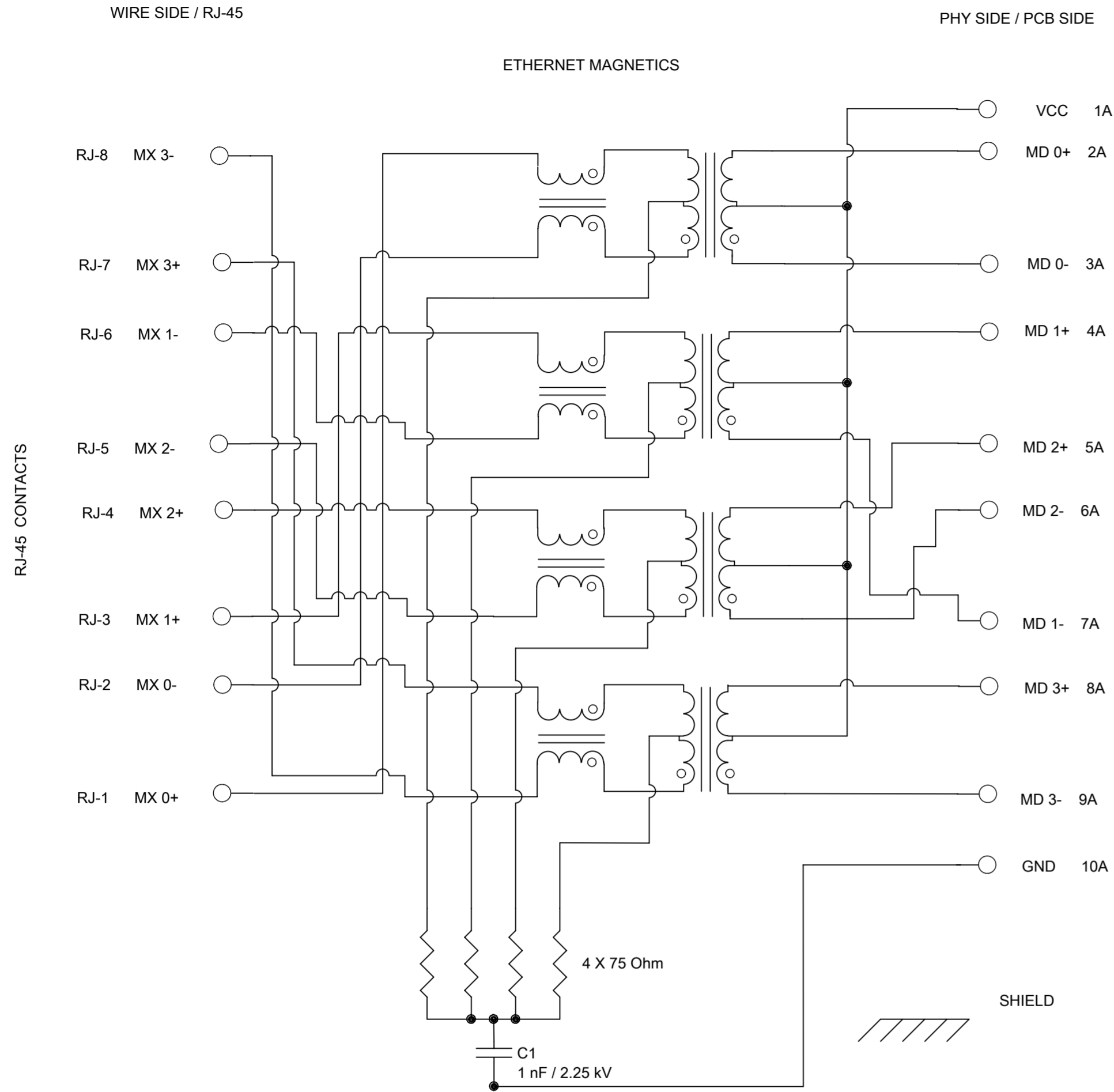


SUGGESTED PANEL CUTOUT

THIS DRAWING CONTAINS INFORMATION THAT IS PROPRIETARY TO MOLEX ELECTRONIC TECHNOLOGIES, LLC AND SHOULD NOT BE USED WITHOUT WRITTEN PERMISSION									
DIMENSION UNITS <b>mm</b>		SCALE <b>3:1</b>		CURRENT REV DESC: ORIGINAL RELEASE				<b>molex</b>	
GENERAL TOLERANCES (UNLESS SPECIFIED)				EC NO: 606029					
ANGULAR TOL ± 2.0°		4 PLACES ±		DRWN: DSHEA 2018/10/16		MXMAG DUAL PORT 8C GIG INDUSTRIAL W/O LED - REFLOW CAPABLE			
3 PLACES ±		2 PLACES ± 0.1		CHK'D: DBYRNES 2018/11/05		PRODUCT CUSTOMER DRAWING			
1 PLACE ± 0.2		0 PLACES ±		APPR: DBYRNES 2018/11/05		INITIAL REVISION:		DOCUMENT NUMBER	
DRAFT WHERE APPLICABLE MUST REMAIN WITHIN DIMENSIONS		THIRD ANGLE PROJECTION		DRAWING		SERIES		MATERIAL NUMBER	
				A2-SIZE		93838		938380002	
						CUSTOMER		DOC TYPE	
						GENERAL MARKET		PSD	
						SHEET NUMBER		REVISION	
						2 OF 3		A	

PORT A

PORT B



Description	Value	
OCL @100 kHz, 0.1 V, 8 mA DC bias (-40°C to +85°C)	350 µH min.	
Turns ratio	1CT:1CT	
Transmission characteristics @ 25°C, all four pairs		
Insertion Loss		
Frequency f, (MHz)	Limits (dB max.)	Typical Values (dB max.)
1.0-9.9	0.4+0.1*log(f)	0.5 @ 10 MHz
10-49.9	0.5+0.3*log(f/10)	0.7 @ 50 MHz
50-79.9	1+1.4*log(f/80)	1.0 @ 80 MHz
80-100	1.3+3*log(f/100)	1.3 @ 100 MHz
Return Loss		
Frequency f, (MHz)	Limits (dB min.)	Typical Values (dB min.)
1.0-39.9	18	18 @ 40 MHz
40-100	12-20*log(f/80)	10 @ 100 MHz
CMR		
Frequency f, (MHz)	Limits (dB min.)	Typical Values (dB min.)
1.0-100	30	30 @ 100 MHz
NEXT		
Frequency f, (MHz)	Limits (dB min.)	Typical Values (dB min.)
1.0-39.9	35	35 @ 40 MHz
40-100	33-20*log(f/50)	27 @ 100 MHz
Isolation PHY to wire side	2.25 kV DC / 60 sec	

THIS DRAWING CONTAINS INFORMATION THAT IS PROPRIETARY TO MOLEX ELECTRONIC TECHNOLOGIES, LLC AND SHOULD NOT BE USED WITHOUT WRITTEN PERMISSION

DIMENSION UNITS	SCALE	CURRENT REV DESC: ORIGINAL RELEASE											
mm	1:1												
GENERAL TOLERANCES (UNLESS SPECIFIED)					<b>MXMAG DUAL PORT 8C GIG INDUSTRIAL W/O LED - REFLOW CAPABLE</b>								
ANGULAR TOL	± 2.0°							<b>PRODUCT CUSTOMER DRAWING</b>					
4 PLACES	±										DOCUMENT NUMBER: <b>938380002</b> DOC TYPE: PSD    DOC PART: 000    REVISION: A		
3 PLACES	±												
2 PLACES	± 0.1	EC NO: 606029    2018/10/16 DRWN: DSHEA    2018/11/05 CHK'D: DBYRNES    2018/11/05 APPR: DBYRNES    2018/11/05 INITIAL REVISION: DRWN: DSHEA    2018/08/23 APPR: DBYRNES    2018/11/05											
1 PLACE	± 0.2				DRAFT WHERE APPLICABLE MUST REMAIN WITHIN DIMENSIONS								
0 PLACES	±							THIRD ANGLE PROJECTION					
DRAWING											SERIES: <b>93838</b>		
A2-SIZE													