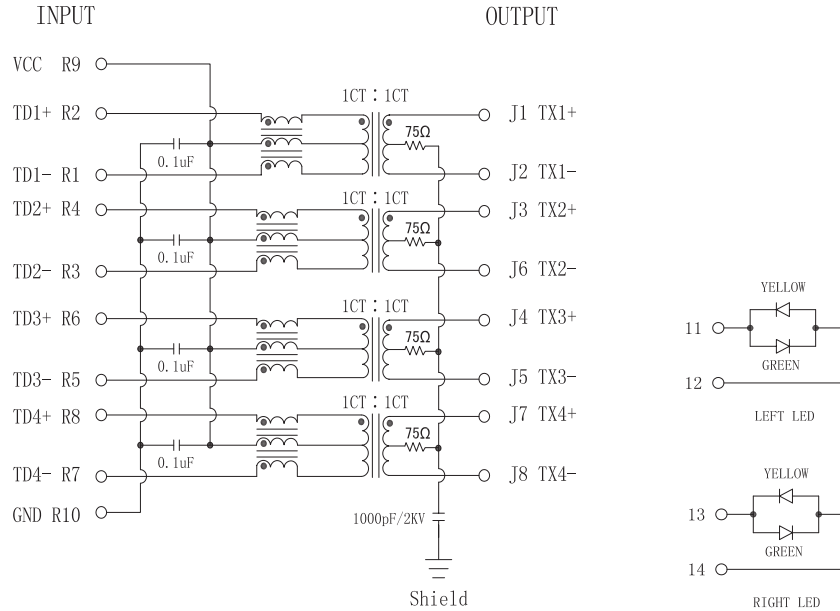




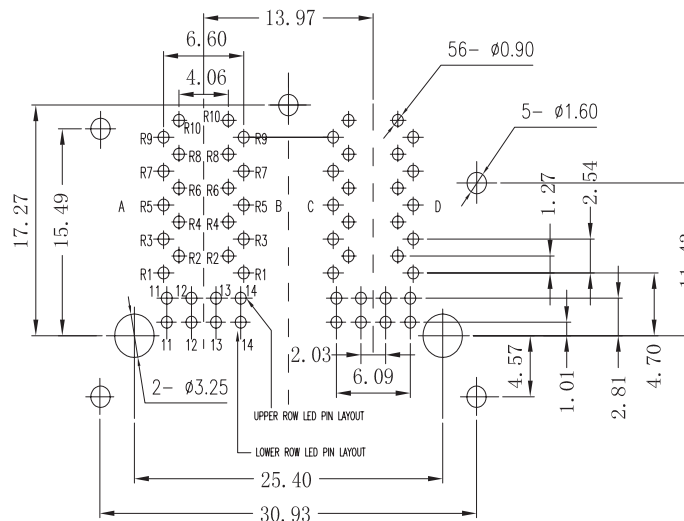
SCHEMATICS



Notes:

1. R1-R4 = 750Ω, 1/16W, 5% Resistors.
2. C1 = 1000pF, 2KV Decoupling Capacitor.
3. LED Compliant With IEC60825-1 Safety or Laser Products when operated up to 20mA
4. LED Forward Voltage: 2.1V(TYP). LED Power Dissipation: 105mW. LED Peak Wavelength: Green=565nm, Yellow=585nm.

PCB LAYOUT



Tolerance Unless otherwise specified

X:X	±0.20
X:XX	±0.10
X:XXX	±0.05

MATERIALS

- Housing: PBT, Flammability Rating 94V-0.
- Shield: Copper Alloy 1.2mm thick, 80µm Min nickel plating.
- Mod Jack Contacts: Phosphor Bronze, 6µm Gold plated.
- LED: Diffused Epoxy Lens, 0.5x0.5mm Carbon Steel Wireframe Leads.