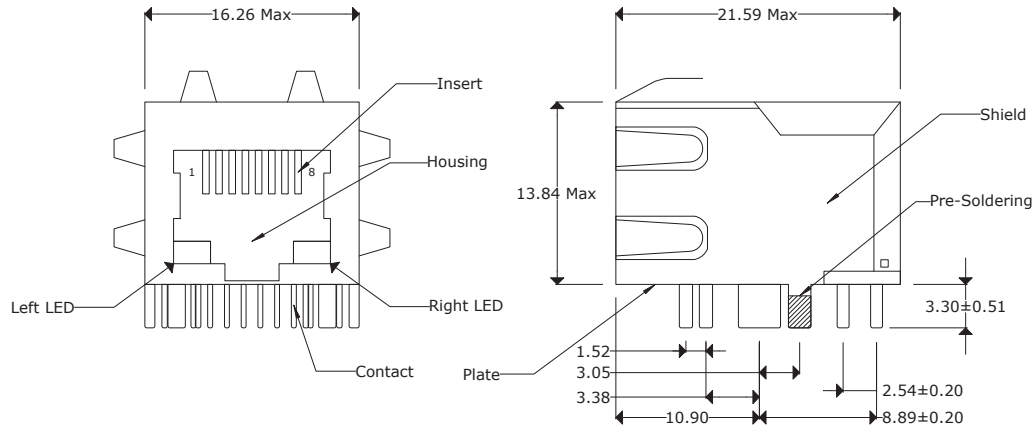
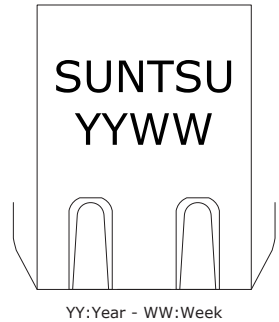
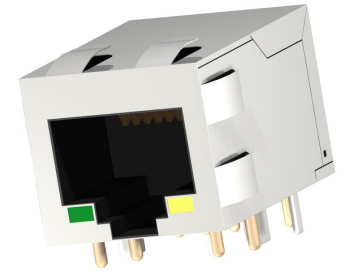
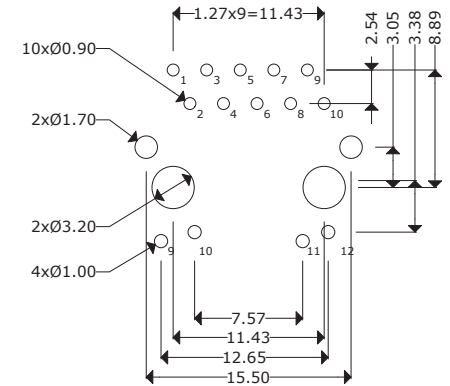


# SCNRJ-1010GGMSEGY-07314SORTH

**SUNTSU** | **RJ45** | **CONTACTS** 10:10 | **MAGNETIC** M: With | **EMI Finger** E: With | **OPERATING TEMP** 07: 0~70°C | **CONTACT TERMINATION** SO: SOLDER  
**CONNECTOR** | **POSITIONS** 10:10 | **CONTACT PLATING** GG: 6u" Gold Plating | **SHIELD** S: With | **LED COLOR** GY: Left - Green | **HEIGHT** 314: 13.84mm | **MOUNTING STYLE** RTH: Right Angle Through Hole



## PC Board Layout

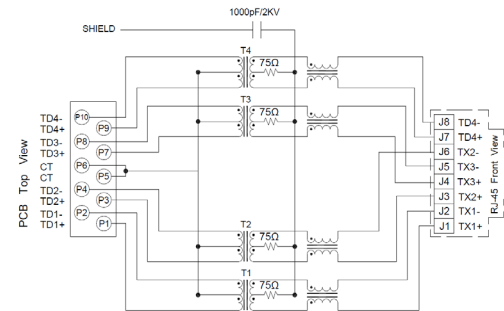


### Electrical Parameters

Turn Ratio(±5%): 1CT:1CT  
 Inductance(100KHz/0.1V@8mA): 350uH MIN  
 Insertion Loss(dB MAX): -1.2dB(0.3-100MHz)  
 Return Loss(dB MIN): -16dB(1-30MHz), -13.5dB(40MHz), -11.5dB(50MHz), -10dB(60-80MHz)  
 Cross Talk(dB MIN): -40dB(30MHz), -36dB(60MHz), -30dB(100MHz)  
 DCMR(dB MIN): -35dB(30MHz), -32dB(60MHz), -30dB(100MHz)  
 HI-POT(Pri to Sec): 1500Vrms

### Materials

Housing: Nylon 66 UL94V-0 Standard color Black  
 Insert: Phos-Bronze C5210 EH---0.35 Thickness  
 Insert: PBT GF UL94V-0  
 Insert Plating: (1) Nickel (2) 100% Sn (3) Gold (6u")  
 Plate: PBT GF UL 94V-0  
 Contact Pin: Phos-Bronze C5191---0.35 Thickness  
 Contact Plating: (1) Nickel (2) 100% Sn  
 Shielding: Brass C2680 Plating Nickel



Remarks:  
 Operating Life: 750 Cycles MIN.

Standard LED	Wavelength	Forward*V(MAX)	TYP
Green	565nm	2.5V	2.2V
Yellow	585nm	2.5V	2.1V

With a forward current of 20mA



1000 BASE-T SINGLE PORT RJ45 JACK MAGNETICS

### Document History

Edits Made	Date	Edited By	Approved By
Initial Release	10/06/2021	B. Gibbons	KH Mun

Part No.
SCNRJ-1010GGMSEGY-07314SORTH
Scale
Unit

Drawn
B. Gibbons 10/06/2021
Tolerance
Unless otherwise specified, all tolerances are ±0.25
Pages
1/1

mm