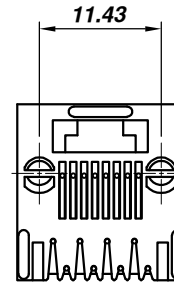
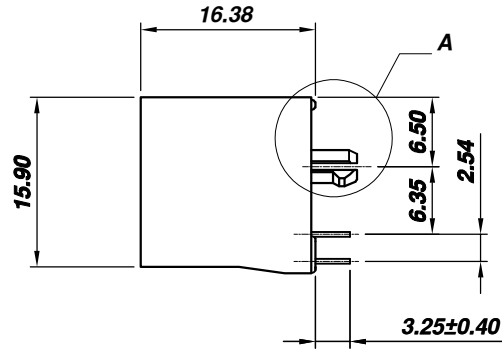
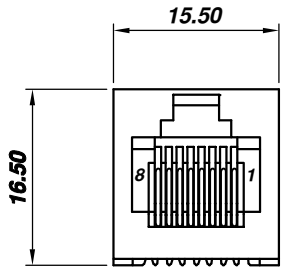


SIGN	DATE	DESCRIPTION	APPROVER
THIS IS CAD DRAWING, DO NOT REVISE MANUALLY!!!			



Material:

- Housing: PBT Glass Filled (UL 94V-0)
- Color: Black
- Spring Wire: 0.45mm Diameter Phosphor Bronze
Gold Plating over Nickel
- Temp. Range: -40°C/+85°C
- Durability: 750 Mating cycles Min.
- Soldering Temp: 235 Deg C for 5 seconds

Electrical:

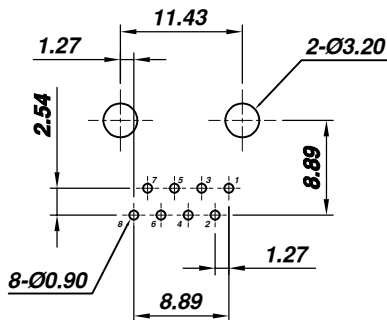
- Current rating: 1.5A Max.
- Voltage rating: 150V AC
- Insulation Resistance: 500 MΩ Min.
- Contact Resistance: 30mΩ Max.
- Dielectric Voltage: 1,000 Vrms for 60 sec. min.

● Part Number

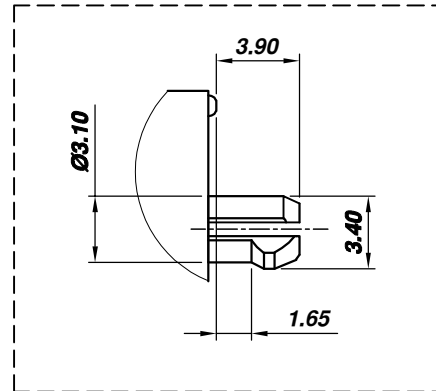
PJ012-8P8CX

RoHS Compliant

Gold plating	1=6u"	2=15u"	3=30u"	4=50u"
--------------	-------	--------	--------	--------



**PCB LAYOUT
(Top View)**



A(2:1)

THESE DRAWINGS AND SPECIFICATIONS ARE THE PROPERTY OF ON-SHORE TECHNOLOGY, INC. AND SHALL NOT BE REPRODUCED, COPIED OR USED IN ANY MANNER WITHOUT THE PRIOR WRITTEN CONSENT OF ON-SHORE TECHNOLOGY, INC.



TITLE		PJ012, 8 pos, 8 cont, top entry, thru hole		
PART NO.	PJ012-8P8CX	DWG NO.	PJ012-8P8CX.DWG	
APPROVED	CHECKED	DESIGNED	DRAWN	CUST NO.
Billy 2013.08.26	Liu 2013.08.26	Jason 2013.08.26	Steven 2013.08.26	
				Tolerance
				X.XX ±0.25
				X.XXX ±0.13
				X.XXXX ±0.05
SHEET: 01/01				REV.: A