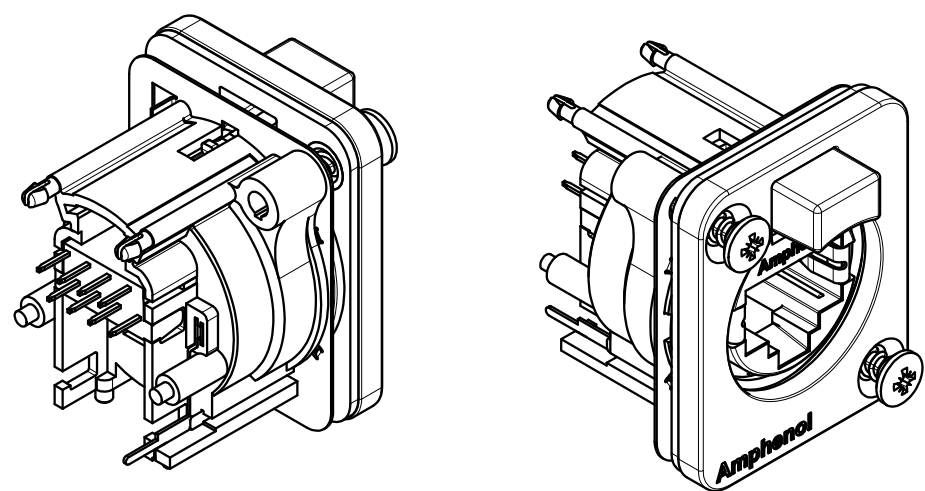
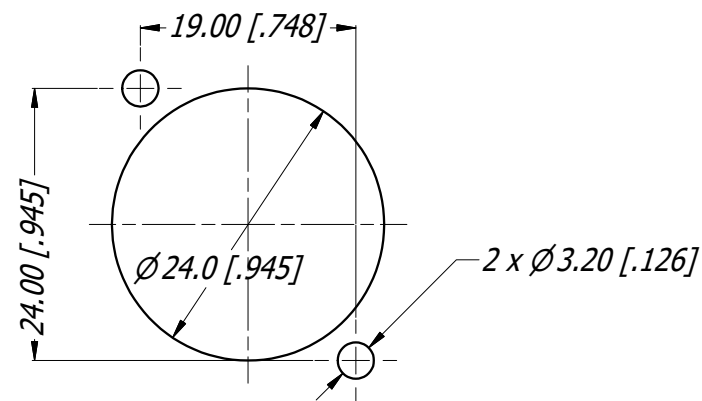


PCB LAYOUT
3:2
(CONNECTOR REAR VIEW)

- RJ45 CONTACTS
- RJ45 SHELL GROUND CONTACT
- CONNECTOR LOCATION PINS



3D VIEW
3:2



PANEL CUT OUT
3:2
(CONNECTOR FRONT VIEW)

TABLE OF PART NUMBERS

PART No.	FINISH	TRANS. CLASS
RJXS8FD3VB	NICKEL PLATE	CLASS D
RJXS8FD5VB	NICKEL PLATE	CAT5e
RJXS8FD6VB	NICKEL PLATE	CAT6

UNLESS OTHERWISE SPECIFIED TOLERANCE TO BE	
LINEAR	ANGULAR
X ±0.5	X' ±1
X.X ±0.1	X.X' ±30'
X.X ±0.05	X.X.X' ±15'
BREAK ALL SHARP EDGES AND REMOVE ALL BURRS	
DO NOT SCALE	
DIMENSIONS IN MILLIMETRES	

THIS DOCUMENT IS THE PROPERTY OF AMPHENOL AUSTRALIA PTY. LTD.
NO PART THEREOF MAY BE REPRODUCED AND USED WITHOUT THE PRIOR WRITTEN CONSENT OF THE OWNER.

MATERIAL: REFER SPECIFICATION	DRN: T.N	DATE: 17/04/19
FINISH:	CKD: P.M	DATE: 17/04/19
	APP'D: P.M	DATE: 17/04/19
	SCALE: 3:2	SIZE: A3



Amphenol Australia Pty.Ltd,
22 Industry Blvd, Carrum Downs
VIC 3201 Australia

TITLE:
**XLRnet CONNECTOR
VERTICAL IP54
CUSTOMER DRAWING**

PART No:	REV
SEE TABLE OF P/No.	1
DRAWING No.	SHEET
55010277-000	2/2